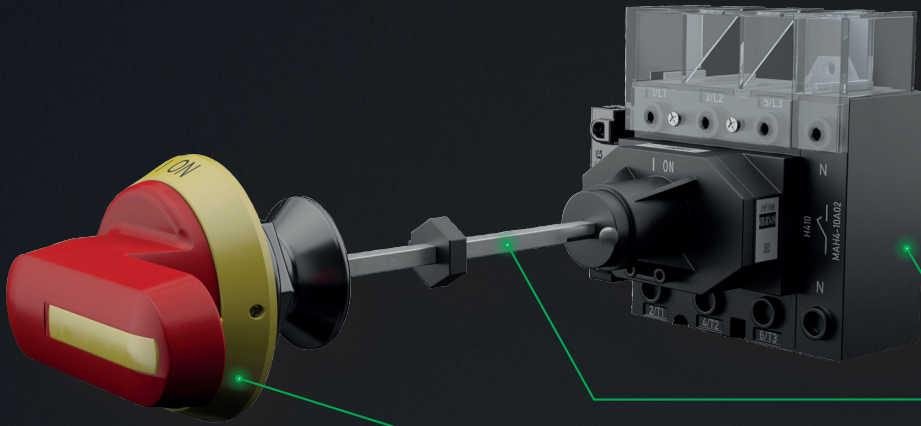


Defeatable Door-interlock Disconnect Switches

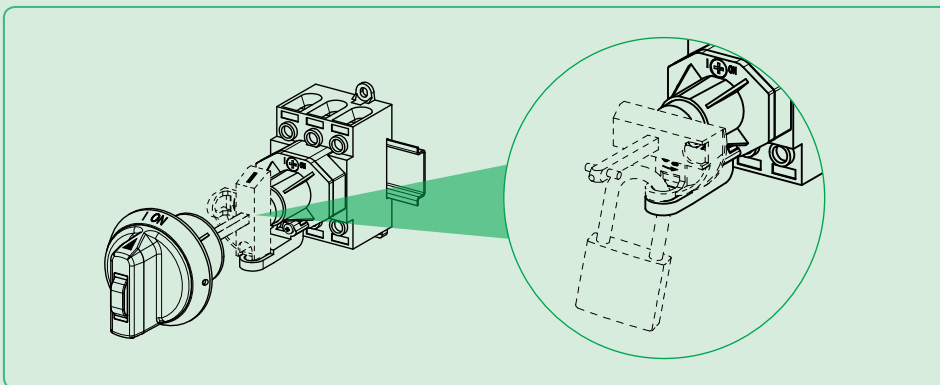


- Available for Disconnect Switches from 20A up to 125A
- Metal shaft extension for mounting depths up to 640 mm
- Operator module protection IP66

Defeatable Door-interlock Disconnect Switches

Defeating the door-interlock mechanism for fault finding and maintenance purposes, especially in Building Management Systems, is possible with our “D” type handle. The defeatable provides the option for qualified personnel to defeat the door-interlock handle with the switch in the “ON” position with a simple tool.

- Available for Disconnect Switches from 20A up to 125A
- Disconnect Switches with 3 up to 8 pole
- Base mounting switch with snap-on mounting
- Metal shaft extension for mounting depths up to 640 mm
- Operator module for single hole front mounting \varnothing 22,5 mm and with protection IP66
- Disconnect Switches by Salzer Electric are compliant with the harmonized european standards EN 60947-1, EN 60947-3, EN 60947-5-1 and EN 60204-1 and are approved according to ANSI/UL 60947-1 and ANSI/UL 60947-4-1A
- Option for “Maintenance handle” for operating the switch while cabinet door is open:



Special requirements?

Call us, we'll help you find an individual solution for your switching needs.

Salzer Electric GmbH
Matthiasstraße 16
57482 Wenden (Germany)
T +49 (0) 27 62 - 6 14-110
F +49 (0) 27 62 - 6 14-100
sales@salzer.de
www.saelzer.com

Salzer UK Limited
44 Edison Road
Aylesbury Bucks., HP19 8TE
T +44 (0) 1296 399992
F +44 (0) 1296 392229
sales@salzeruk.co.uk
www.salzeruk.co.uk

Salzer USA Corporation
3802 N. 54th Street
Mesa, AZ 85215
T +1 480-325-2690
F +1 480-985-9663
info@salzerusa.com
www.salzerusa.com

Follow us on 