



Mounting Form Table

S400 50A up to 63A

Section

Front Mounting Switches	A
Base Mounting Switches	B

Originator: Sälzer Electric GmbH · Product Data Management (PDM) · 09306 Rochlitz (Germany)
Copyright reserved by Sälzer Electric GmbH. This document replaces all previous issues.
Valid until a new version is published. Changes and revisions reserved.

Mounting form table

Mtg. form	Page
002M1	B1-1 (7)
003M1	A1-1 (4)
013M1	A1-2 (5)
041M1	B1-2 (8)
042M1	B1-3 (9)



Section A

Page
from to

Four hole mounting

A1-1

A1-2

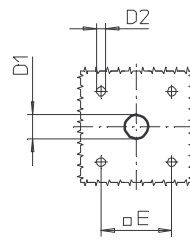
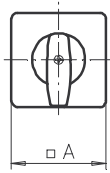
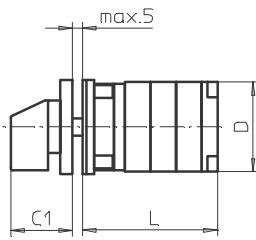
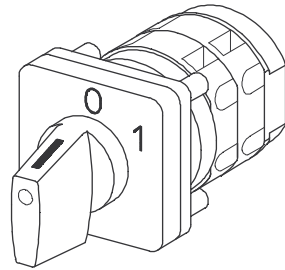
Originator: Sälzer Electric GmbH · Product Data Management (PDM) · 09306 Rochlitz (Germany)

Copyright reserved by Sälzer Electric GmbH. This document replaces all previous issues.

Valid until a new version is published. Changes and revisions reserved.

Front Mounting Switches

sälzer



Product line
S400

Front mounting switch

Four hole mounting
48 x 48 mm

003M1 (IP55)

Complete switch	Poles	Product lines	Rated data (IEC 60947)			Order code number
			Operational current I _e	Operational power at 380–440 V		
			AC-21A A	AC-23A kW	AC-3 kW	
Rotary Cam Switches Switching angle 30°/45°/60°/90°	1 ... 24	S400	50 63	22 30	22 30	S432 - 61 ... - 003M1 S440 - 61 ... - 003M1

SMD modules for basic switch (GA A28/GA A28)

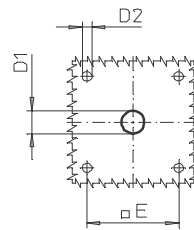
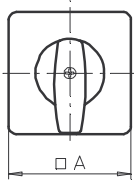
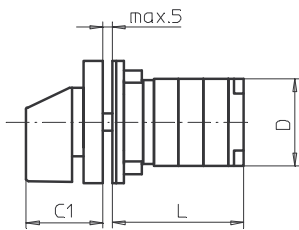
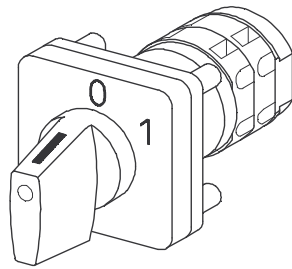
Mounting form module for 003M1	S400	BFB4 - 003
M-operator module 64 x 64 mm, mounting form 003M1 Starting position of the handle 09 h Escutcheon black, handle black		4DM1
M-operator module 64 x 64 mm, mounting form 003M1 Starting position of the handle 12 h Escutcheon black, handle black		4EM1
Legend plate silver, operator module 003M1		FAS4 - (FA number)

Dimensions (mm)

Type	A	C1	D	D1	D2	E	L with ... stages (max. 12)							each add. stage
							1	2	3	4	5	6	7	
S432	64	39	65	12	5	48	51	69	87	105	123	141	159	18
S440	64	39	70	12	5	48	56	77	98	119	140	161	182	21

Front Mounting Switches

sälzer



**Product line
S400**

Front mounting switch
Operator module of next size

Four hole mounting
68 x 68 mm

013M1 (IP55)

Complete switch	Poles	Product lines	Rated data (IEC 60947)			Order code number
			Operational current I _e	Operational power at 380–440 V		
			AC-21A A	AC-23A kW	AC-3 kW	
Rotary Cam Switches Switching angle 30°/45°/60°/90°	1 ... 24	S400	50 63	22 30	22 30	S432 - 61 ... - 013M1 S440 - 61 ... - 013M1

SMD modules for basic switch (GA A28)

Mounting form module for 013M1	S400	BFB4 - 013
M-operator module 88 x 88 mm, mounting form 013M1 Starting position of the handle 09 h Escutcheon black, handle black		6AM1
M-operator module 88 x 88 mm, mounting form 013M1 Starting position of the handle 12 h Escutcheon black, handle black		6BM1
Legend plate silver, operator module 013M1		FAS6 - (FA number)

Dimensions (mm)

Type	A	C1	D	D1	D2	E	L with ... stages (max. 12)							each add. stage
							1	2	3	4	5	6	7	
S432	88	52	65	15	5,5	68	51	69	87	105	123	141	159	18
S440	88	52	70	15	5,5	68	56	77	98	119	140	161	182	21



Section B

Page
from to

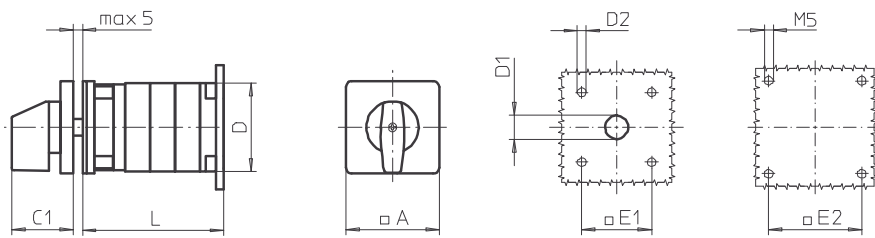
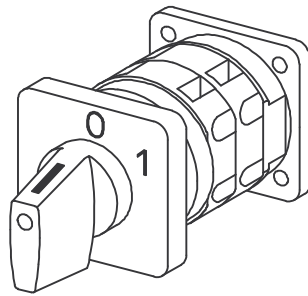
Four hole mounting

B1-1

B1-3

Base Mounting Switches

sälzer



Product line
S400

Base mounting switch

Base/front mounting

Four hole mounting

48 x 48 mm front

68 x 68 mm base

002M1

Complete switch	Poles	Product lines	Rated data (IEC 60947)			Order code number
			Operational current I _e	Operational power at 380–440 V		
			AC-21A A	AC-23A kW	AC-3 kW	
Rotary Cam Switches Switching angle 30°/45°/60°/90°	1 ... 24	S400	50 63	22 30	22 30	S432 - 61 ... - 002M1 S440 - 61 ... - 002M1

SMD modules for basic switch (GA A28)

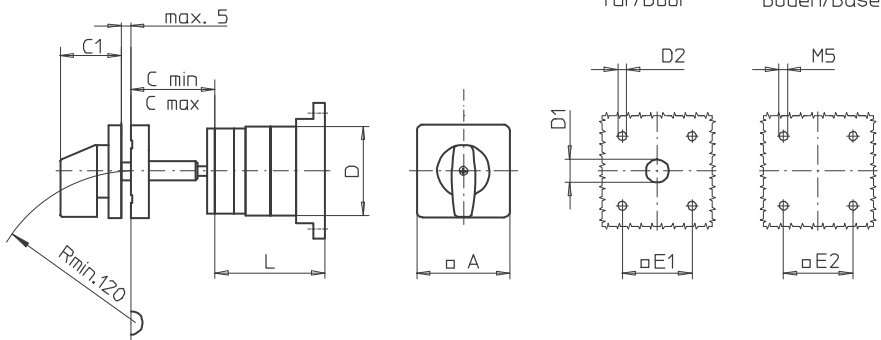
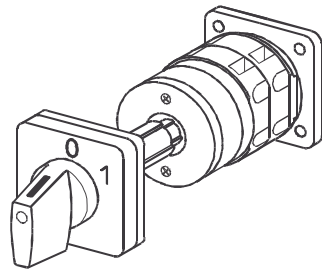
Mounting form module for 002M1	S400	BFA4 - 002
M-operator module 64 x 64 mm, mounting form 002M1 Starting position of the handle 09h Escutcheon black, handle black		4DM1
M-operator module 64 x 64 mm, mounting form 002M1 Starting position of the handle 12h Escutcheon black, handle black		4EM1
Legend plate silver, operator module 002M1		FAS4 - (FA number)

Dimensions (mm)

Type	A	C1	D	D1	D2	E1	E2	L with ... stages (max. 12)						each add. stage
								1	2	3	4	5	6	
S432	64	39	65	12	5	48	68	56	74	92	110	128	146	18
S440	64	39	70	12	5	48	68	61	82	103	124	145	166	21

Base Mounting Switches

sälzer



**Product line
S400**

Base mounting switch

Door clutch

Four hole mounting

48 x 48 mm front

68 x 68 mm base

041M1 (IP55)

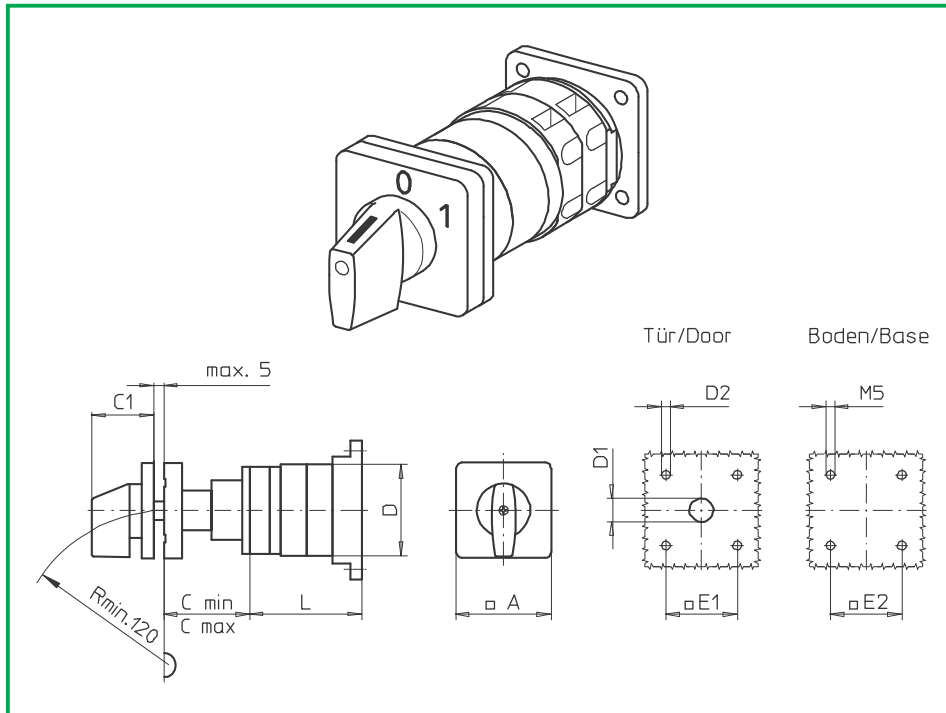
Complete switch	Poles	Product lines	Rated data (IEC 60947)			Order code number
			Operational current I _e	Operational power at 380–440 V		
			AC-21A A	AC-23A kW	AC-3 kW	
Rotary Cam Switches Switching angle 30°/45°/60°/90°	1 ... 24	S400	50 63	22 30	22 30	S432 - 61 ... - 041M1 S440 - 61 ... - 041M1

SMD modules for basic switch (GA A28)						
Mounting form module for 041M1					S400	BFA4-041
M-operator module 64 x 64 mm, mounting form 041M1						4DM1
Starting position of the handle 09 h						
Escutcheon black, handle black						
M-operator module 64 x 64 mm, mounting form 041M1						4EM1
Starting position of the handle 12 h						
Escutcheon black, handle black						
Legend plate silver, operator module 041M1						FAS4 - (FA number)

Dimensions (mm)											L with ... stages (max. 12) each add. stage			
Type	A	Cmin	Cmax	C1	D	D1	D2	E1	E2	1	2	3		
S432	64	42	56	39	65	15	5	48	68	51	69	87	18	
S440	64	42	56	39	70	15	5	48	68	56	77	98	21	

Base Mounting Switches

sälzer



Product line
S400

Base mounting switch

Door interlock

Four hole mounting

48 x 48 mm front

68 x 68 mm base

042M1 (IP55)

Complete switch	Poles	Product lines	Rated data (IEC 60947)			Order code number
			Operational current I _e	Operational power at 380–440 V		
			AC-21A A	AC-23A kW	AC-3 kW	
Rotary Cam Switches Switching angle 30°/45°/60°/90°	1 ... 24	S400	50 63	22 30	22 30	S432 - 61 ... - 042M1 S440 - 61 ... - 042M1

SMD modules for basic switch (GA A28/GA A28)			
Mounting form module for 042M1		S400	BFA4-042
M-operator module 64 x 64 mm, mounting form 042M1			4DM1
Starting position of the handle 09 h			
Escutcheon black, handle black			
M-operator module 64 x 64 mm, mounting form 042M1			4EM1
Starting position of the handle 12 h			
Escutcheon black, handle black			
Legend plate silver, operator module 042M1			FAS4 - (FA number)

Dimensions (mm)											L with ... stages (max. 12) each add. stage			
Type	A	Cmin	Cmax	C1	D	D1	D2	E1	E2	1	2	3		
S432	64	42	56	39	65	15	5	48	68	51	69	87	18	
S440	64	42	56	39	70	15	5	48	68	56	77	98	21	



Faster deliveries through SMD

In order to ensure even greater flexibility for worldwide supply availability within 24h, Sälzer Electric has introduced the SMD (Sälzer Modular Design) system.

SMD modules are individually prefabricated and tested all-in-one modules which SMD Service holds in stock in sufficient quantities. From basic switch modules, mounting form modules and operator modules, SMD Service can assemble a complete switch requested by the customer and pack it ready for delivery in just a few actions.

– **back** –