



Mounting Form Table

B200
50 A and 63 A

Section

Front Mounting Switches	A
Base Mounting Switches	B
Enclosed Switches	C
Accessories	D

Sälzer Electric GmbH
Matthiasstraße 16
57482 Wenden (Germany)
www.saelzer.com

Headquarters:
Tel. +49 (0) 27 62 / 6 14-110
Fax +49 (0) 27 62 / 6 14-100
sales@salzer.de

Originator: Sälzer Electric GmbH · Product Data Management (PDM) · 09306 Rochlitz (Germany)
Copyright reserved by Sälzer Electric GmbH. This document replaces all previous issues.
Valid until a new version is published. Changes and revisions reserved.

Mounting Form Table



Mtg. forms	Pages	Mtg. forms	Pages	Mtg. forms	Pages	Mtg. forms	Pages	
003M1	A1-1	(5)	192M1	C3-22	(192)	235M1	B3-7	(58)
013M1	A1-2	(6)	192M4	C3-22	(192)	235M4	B3-7	(58)
013V1	A1-3	(7)	192N1	C3-23	(193)	237M1	B2-8	(48)
014V1	A1-3	(7)	192N4	C3-23	(193)	237M4	B2-8	(48)
021M1	B1-1	(36)	192V1	C3-24	(194)	237N1	B2-9	(49)
026M1	B1-2	(37)	192V4	C3-24	(194)	237N4	B2-9	(49)
026N2	B1-3	(38)	196H1	C3-10	(180)	237V1	B2-10	(50)
026V1	B1-5	(40)	196M1	C3-5	(175)	237V4	B2-10	(50)
026V4	B1-5	(40)	196V1	C3-9	(179)	238M1	B3-8	(59)
027V1	B1-4	(39)	197M1	C3-6	(176)	238M4	B3-8	(59)
028V1	B1-4	(39)	197M4	C3-6	(176)	238N1	B3-9	(60)
033M1	A1-4	(8)	197N1	C3-7	(177)	238N4	B3-9	(60)
033M4	A1-4	(8)	197N4	C3-7	(177)	238V1	B3-10	(61)
033N1	A1-5	(9)	198M1	C3-8	(178)	238V4	B3-10	(61)
033N4	A1-5	(9)	198H1	C3-10	(180)	241M1	B2-1	(41)
033V1	A1-6	(10)	198V1	C3-9	(179)	242M1	B3-1	(52)
033V4	A1-6	(10)	204M1	A3-2	(28)	246V1	B2-3	(43)
035M1	A1-7	(11)	205M1	A2-6	(24)	247M1	B2-2	(42)
035M4	A1-7	(11)	205M4	A2-6	(24)	247V1	B2-3	(43)
036M1	A1-8	(12)	206M1	A2-3	(21)	248M1	B3-2	(53)
036M4	A1-8	(12)	206M4	A2-3	(21)	248V1	B3-3	(54)
036N1	A1-9	(13)	206N1	A2-4	(22)	249V1	B3-3	(54)
036N4	A1-9	(13)	206N4	A2-4	(22)	280M1	B5-4	(77)
036V1	A1-10	(14)	206V1	A2-5	(23)	280M4	B5-4	(77)
036V4	A1-10	(14)	206V4	A2-5	(23)	280N1	B5-5	(78)
086M1	C2-1	(151)	208M1	A3-8	(34)	280N4	B5-5	(78)
087M1	C2-2	(152)	209M1	A3-1	(27)	280V1	B5-6	(79)
087M4	C2-2	(152)	214M1	A2-2	(20)	280V4	B5-6	(79)
087N1	C2-3	(153)	215M1	A3-6	(32)	281M1	B6-4	(86)
087N4	C2-3	(153)	215M4	A3-6	(32)	281M4	B6-4	(86)
087V1	C2-4	(154)	215V1	A3-5	(31)	281N1	B6-5	(87)
087V4	C2-4	(154)	215V4	A3-5	(31)	281N4	B6-5	(87)
096M1	C3-1	(171)	216M1	A3-3	(29)	281V1	B6-6	(88)
097M1	C3-2	(172)	216M4	A3-3	(29)	281V4	B6-6	(88)
097M4	C3-2	(172)	216N1	A3-4	(30)	282M1	B5-1	(74)
097N1	C3-3	(173)	216N4	A3-4	(30)	283M1	B6-1	(83)
097N4	C3-3	(173)	216V1	A3-7	(33)	284M1	B5-2	(75)
097V1	C3-4	(174)	216V4	A3-7	(33)	284V1	B5-3	(76)
097V4	C3-4	(174)	218M1	A2-8	(26)	285M1	B6-2	(84)
103M1	A1-13	(17)	219M1	A2-1	(19)	285V1	B6-3	(85)
113M1	A1-14	(18)	226V1	A2-7	(25)	286M1	B5-7	(80)
136M1	A1-11	(15)	226V4	A2-7	(25)	286M4	B5-7	(80)
136M4	A1-11	(15)	231M1	B2-7	(47)	287M1	B6-7	(89)
136N1	A1-12	(16)	231M4	B2-7	(47)	287M4	B6-7	(89)
136N4	A1-12	(16)	232M1	B2-4	(44)	288V1	B5-8	(81)
186H1	C2-10	(160)	232M4	B2-4	(44)	288V4	B5-8	(81)
186M1	C2-5	(155)	232N1	B2-5	(45)	289V1	B6-8	(90)
186V1	C2-9	(159)	232N4	B2-5	(45)	289V4	B6-8	(90)
187M1	C2-6	(156)	232V1	B2-6	(46)	290V1	B5-3	(76)
187M4	C2-6	(156)	232V4	B2-6	(46)	291V1	B6-3	(85)
187N1	C2-7	(157)	234M1	B3-4	(55)	431M1	B7-7	(98)
187N4	C2-7	(157)	234M4	B3-4	(55)	431M4	B7-7	(98)
188H1	C2-10	(160)	234N1	B3-5	(56)	432M1	B7-4	(95)
188M1	C2-8	(158)	234N4	B3-5	(56)	432M4	B7-4	(95)
189V1	C2-9	(159)	234V1	B3-6	(57)	432N1	B7-5	(96)
190M1	C3-21	(191)	234V4	B3-6	(57)	432N4	B7-5	(96)
432V1	B7-6	(97)				437M1	B7-8	(99)
432V4	B7-6	(97)				437M4	B7-8	(99)
435M1	B8-7	(109)				437N1	B7-9	(100)
435M4	B8-7	(109)				437N4	B7-9	(100)
437M1	B7-8	(99)				437V1	B7-10	(101)
437M4	B7-8	(99)				437V4	B7-10	(101)
437N1	B7-9	(100)				441M1	B7-1	(92)
437N4	B7-9	(100)				446V1	B7-3	(94)
437V1	B7-10	(101)				447M1	B7-2	(93)
437V4	B7-10	(101)				447V1	B7-3	(94)
441M1	B7-1	(92)				449V1	B8-3	(105)
446V1	B7-3	(94)				481M1	B8-1	(103)
447M1	B7-2	(93)				482M1	B8-2	(104)
447V1	B7-3	(94)				482V1	B8-3	(105)
449V1	B8-3	(105)				483M1	B8-4	(106)
481M1	B8-1	(103)				483M4	B8-4	(106)
482M1	B8-2	(104)				483N1	B8-5	(107)
482V1	B8-3	(105)				483N4	B8-5	(107)
483M1	B8-4	(106)				483V1	B8-6	(108)
483M4	B8-4	(106)				483V4	B8-6	(108)
483N1	B8-5	(107)				484M1	B8-8	(110)
483N4	B8-5	(107)				484M4	B8-8	(110)
483V1	B8-6	(108)				484N1	B8-9	(111)
483V4	B8-6	(108)				484N4	B8-9	(111)
484M1	B8-8	(110)				484V1	B8-10	(112)
484M4	B8-8	(110)				484V4	B8-10	(112)
484N1	B8-9	(111)				534M1	B4-4	(66)
484N4	B8-9	(111)				534M4	B4-4	(66)
484V1	B8-10	(112)				534N1	B4-5	(67)
484V4	B8-10	(112)				534N4	B4-5	(67)
534M1	B4-4	(66)				534V1	B4-6	(68)
534M4	B4-4	(66)				534V4	B4-6	(68)
534N1	B4-5	(67)				535M1	B4-7	(69)
534N4	B4-5	(67)				535M4	B4-7	(69)
534V1	B4-6	(68)				538M1	B4-8	(70)
534V4	B4-6	(68)				538M4	B4-8	(70)
535M1	B4-7	(69)				538N1	B4-9	(71)
535M4	B4-7	(69)				538N4	B4-9	(71)
538M1	B4-8	(70)				538V1	B4-10	(72)
538M4	B4-8	(70)				538V4	B4-10	(72)
538N1	B4-9	(71)				542M1	B4-1	(63)
538N4	B4-9	(71)				548M1	B4-2	(64)
538V1	B4-10	(72)				548V1	B4-3	(65)
538V4	B4-10	(72)				549V1	B4-3	(65)
542M1	B4-1	(63)				586M1	C2-11	(161)
548M1	B4-2	(64)				587M1	C2-12	(162)
548V1	B4-3	(65)				587M4	C2-12	(162)
549V1	B4-3	(65)				587N1	C2-13	(163)
586M1	C2-11	(161)				587N4	C2-13	(163)
587M1	C2-12	(162)				587V1	C2-14	(164)
587M4	C2-12	(162)				587V4	C2-14	(164)
587N1	C2-13	(163)				596M1	C3-11	(181)
587N4	C2-13	(163)						
587V1	C2-14	(164)						
587V4	C2-14	(164)						
596M1	C3-11	(181)						

Remark to Manual B200:

Please see the different supply availability for mounting forms – for further information please contact the sales team.

Mounting Form Table



Mtg. forms	Pages	Mtg. forms	Pages	Mtg. forms	Pages	Mtg. forms	Pages
597M1	C3-12 (182)	711M1	C1-1 (115)	750M1	C1-9 (123)	AVC2 -.	D1-2 (200)
597M4	C3-12 (182)	715M1	C1-6 (120)	750M4	C1-9 (123)	AVD2	B2-11 (51)
597N1	C3-13 (183)	715M4	C1-6 (120)	750M6	C1-10 (124)	AVD2	D1-1 (199)
597N4	C3-13 (183)	715N1	C1-7 (121)	750N1	C1-11 (125)	B200-ED	C4-1 (195)
597V1	C3-14 (184)	715N4	C1-7 (121)	750N4	C1-11 (125)	B200-E6	C4-2 (196)
597V4	C3-14 (184)	715V1	C1-8 (122)	750N6	C1-12 (126)	B200-E7	C4-3 (197)
686H1	C2-19 (169)	715V4	C1-8 (122)	750V1	C1-13 (127)	FAZ2 -....	D3-1 (204)
686M1	C2-15 (165)	716M1	C1-5 (119)	750V4	C1-13 (127)	FAS2 -....	D3-2 (205)
686V1	C2-20 (170)	730M1	C1-19 (133)	755M1	C1-14 (128)	FBS2 -....	D3-2 (205)
687M1	C2-16 (166)	730M4	C1-19 (133)	755M4	C1-14 (128)	SAX1	D5-1 (207)
687M4	C2-16 (166)	730N1	C1-20 (134)	755M6	C1-15 (129)	SBX1	D5-1 (208)
687N1	C2-17 (167)	730N4	C1-20 (134)	755N1	C1-16 (130)	TCC2	D2-1 (203)
687N4	C2-17 (167)	730V1	C1-21 (135)	755N4	C1-16 (130)	TCD2	D2-1 (203)
688H1	C2-19 (169)	730V4	C1-21 (135)	755N6	C1-17 (131)	218098	D4-1 (206)
688M1	C2-18 (168)	731M1	C1-22 (136)	755V1	C1-18 (132)		
688V1	C2-20 (170)	735M1	C1-23 (137)	755V4	C1-18 (132)		
696H1	C3-19 (189)	735M4	C1-23 (137)	976M1	C1-33 (147)		
696M1	C3-15 (185)	735N1	C1-24 (138)	978M1	C1-33 (147)		
696V1	C3-20 (190)	735N4	C1-24 (138)	977M1	C1-34 (148)		
697M1	C3-16 (186)	735V1	C1-25 (139)	977M4	C1-34 (148)		
697M4	C3-16 (186)	735V4	C1-25 (139)	977N1	C1-35 (149)		
697N1	C3-17 (187)	736N1	C1-26 (140)	977N4	C1-35 (149)		
697N4	C3-17 (187)	740M1	C1-28 (142)	976H1	C1-36 (150)		
698H1	C3-19 (189)	740M4	C1-28 (142)	979H1	C1-36 (150)		
698M1	C3-18 (188)	740N1	C1-29 (143)	AVA8-...	B5-9 (82)		
698V1	C3-20 (190)	740N4	C1-29 (143)	AVA8-...	B6-9 (91)		
710M1	C1-2 (116)	740V1	C1-30 (144)	AVA8-...	D1-3 (201)		
710M4	C1-2 (116)	740V4	C1-30 (144)	AVB8-...	B7-11 (102)		
710N1	C1-3 (117)	741M1	C1-27 (141)	AVB8-...	B8-11 (113)		
710N4	C1-3 (117)	742M1	C1-31 (145)	AVB8-...	D1-4 (202)		
710V1	C1-4 (118)	742V1	C1-32 (146)	AVC2 -.	B3-11 (62)		
710V4	C1-4 (118)	743V1	C1-32 (146)	AVC2 -.	B4-11 (73)		

Remark to Manual B200:

Please see the different supply availability for mounting forms – for further information please contact the sales team.



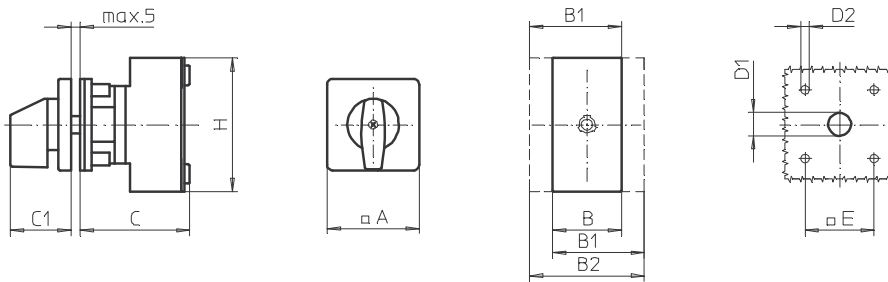
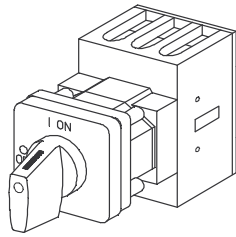
Section A

	Page	
	from	to
Four hole mounting	A1-1	A1-14
Single hole mounting \varnothing 22,5 mm	A2-1	A2-8
Single hole mounting \varnothing 30,5 mm	A3-1	A3-8

Originator: Sälzer Electric GmbH · Product Data Management (PDM) · 09306 Rochlitz (Germany)
Copyright reserved by Sälzer Electric GmbH. This document replaces all previous issues.
Valid until a new version is published. Changes and revisions reserved.

Front Mounting Switches

sälzer



**Product line
B200-A**

Front mounting switch

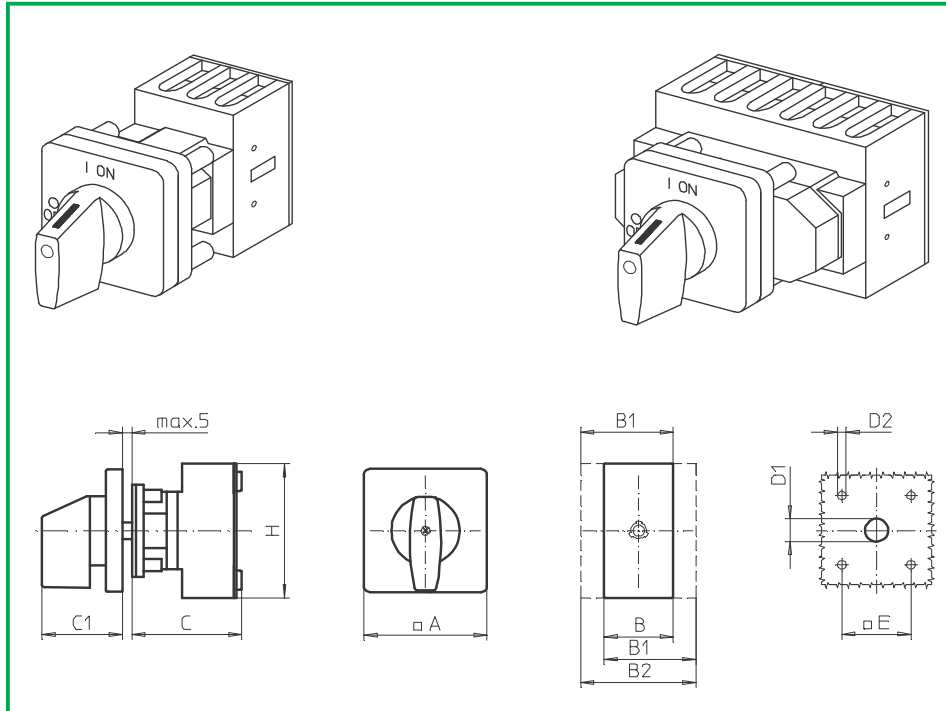
**Four hole mounting
36 x 36 mm**

003M1 (IP66)

Complete switch	Poles	Product lines	Rated data (IEC 60947)			Order code number				
			Operational current I _e	Operational power at 380–440 V						
			AC-21A A	AC-23A kW	AC-3 kW					
ON-OFF Switches Switching angle 90°	3 ... 4	B200-A	50 63	18,5 22	15 18,5	B250 - 41 ... - 003M1 B263 - 41 ... - 003M1				
SMD modules for basic switch A01										
Mounting form module for 003M1				B200-A		BFB2 - 003				
M-operator module 48 x 48 mm, mounting form 003M1 Escutcheon black, handle black						2AM1				
Legend plate silver, operator module 003M1						FAS2 - 9... (FA number)				
Dimensions (mm)										
Product lines	A	B	B1	B2	C	C1	D1	D2	E	H
B200-A	48	50	69	88	58	32	12	4,5	36	72

Front Mounting Switches

sälzer



**Product lines
B200-A/ -D/ -E**

Front mounting switch
Operator module of next size

Four hole mounting
48 x 48 mm

013M1 (IP66)

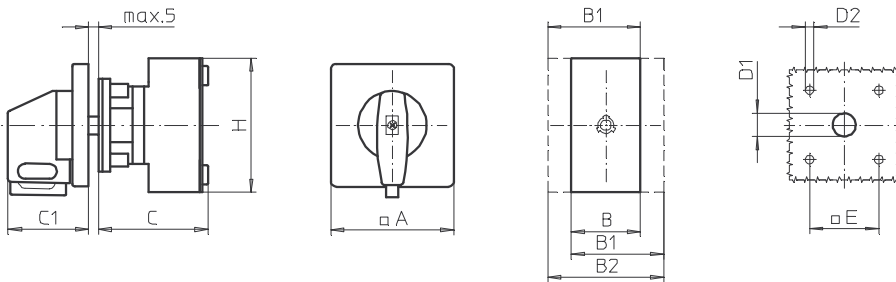
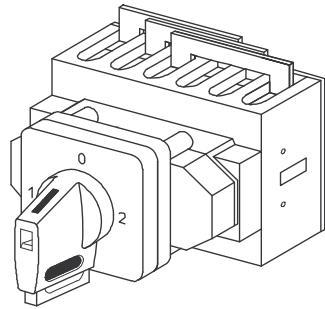
Complete switch	Poles	Product lines	Rated data (IEC 60947)			Order code number
			Operational current I _e	Operational power at 380–440 V		
			AC-21A A	AC-23A kW	AC-3 kW	
ON-OFF Switches Switching angle 90°	3 ... 8	B200-A/ -D	50 63	18,5 22	15 18,5	B250 - 41 ... - 013M1 B263 - 41 ... - 013M1
Changeover with OFF Switching angle 90°	3 ... 4	B200-E	50 63	18,5 22	15 18,5	B250 - 71 ... - 013M1 B263 - 71 ... - 013M1

SMD modules for basic switch A01		
Mounting form module for 013M1	B200-A/ -D/ -E	BFB2 - 013
M-operator module 64 x 64 mm, mounting form 013M1 Escutcheon black, handle black		4AM1
Legend plate silver, operator module 013M1		FAS4 - 9... (FA number)

Dimensions (mm)										
Product lines	A	B	B1	B2	C	C1	D1	D2	E	H
B200-A	64	50	69	88	58	39	15	5	48	72
B200-D	64	100	119	138	70	39	15	5	48	72
B200-E	64	100	119	138	70	39	15	5	48	72

Front Mounting Switches

sälzer



**Product line
B200-E**

Front mounting switch
Operator module of next size

Four hole mounting
48 x 48 mm

013V1 (IP66)
014V1 (IP66)

Complete switch	Poles	Product lines	Rated data (IEC 60947)			Order code number				
			Operational current I _e	Operational power at 380–440 V						
			AC-21A A	AC-23A kW	AC-3 kW					
Changeover with OFF Switching angle 90° OFF position padlockable 12h	3 ... 4	B200-E	50	18,5	15	B250 - 71 ... - 013V1				
			63	22	18,5	B263 - 71 ... - 013V1				
Changeover with OFF Switching angle 90° 3 positions padlockable (09h/12h/03h)	3 ... 4	B200-E	50	18,5	15	B250 - 71 ... - 014V1				
			63	22	18,5	B263 - 71 ... - 014V1				
SMD modules for basic switch A01										
Mounting form module for 013V1/ 014V1			B200-E			BFB2 - 013				
V-operator module 64 x 64 mm, mounting form 013V1 Escutcheon black, handle black						4AV1 - 12				
V-operator module 64 x 64 mm, mounting form 014V1 Escutcheon black, handle black						4AV1 - 99				
Legend plate silver, operator modules 013V1/ 014V1						FAS4 - 9... (FA number)				
Dimensions (mm)										
Product lines	A	B	B1	B2	C	C1	D1	D2	E	H
B200-E	64	100	119	138	70	39	15	5	48	72

Front Mounting Switches

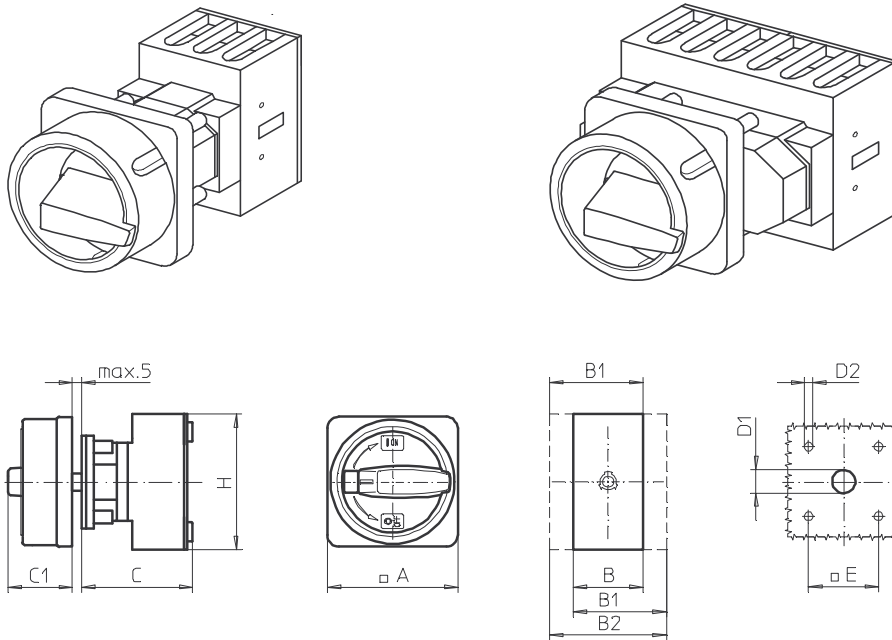
sälzer

**Product lines
B200-A/ -D**

Front mounting switch

**Four hole mounting
36 x 36 mm**

**033M1 (IP66)
033M4 (IP66)**



Complete switch	Poles	Product lines	Rated data (IEC 60947)			Order code number
			Operational current I _e AC-21A A	Operational power at 380–440 V AC-23A kW	AC-3 kW	
Main Switches OFF position padlockable 09h	3 ... 8	B200-A/ -D	50 63	18,5 22	15 18,5	B250 - 41 ... - 033M1 B263 - 41 ... - 033M1
Main/Emergency-OFF Switches OFF position padlockable 09h	3 ... 8	B200-A/ -D	50 63	18,5 22	15 18,5	B250 - 41 ... - 033M4 B263 - 41 ... - 033M4

SMD modules for basic switch A01

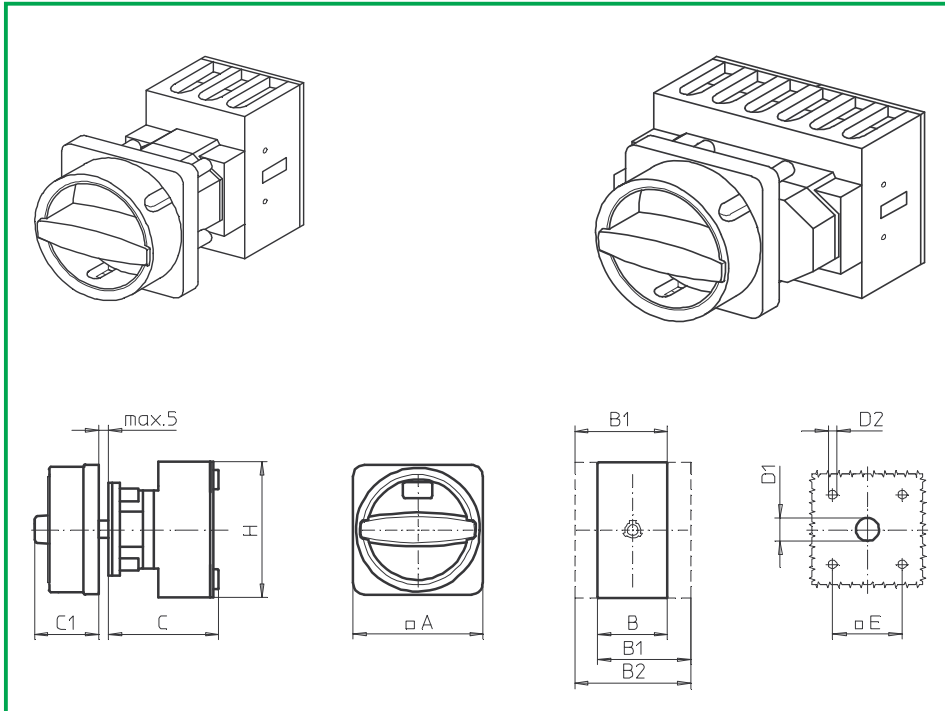
Mounting form module for 033M.	B200-A/ -D	BFB2 - 033
M-padlock device 67 x 67 mm, mounting form 033M1 Escutcheon black, padlockable handle black		2CM1
M-padlock device 67 x 67 mm, mounting form 033M4 Escutcheon yellow, padlockable handle red		2CM4

Dimensions (mm)

Product lines	A	B	B1	B2	C	C1	D1	D2	E	H
B200-A	67	50	69	88	58	38	15	4,5	36	72
B200-D	67	100	119	138	70	38	15	4,5	36	72

Front Mounting Switches

sälzer



**Product lines
B200-A/ -D**

Front mounting switch

**Four hole mounting
36 x 36 mm**

**033N1 (IP66)
033N4 (IP66)**

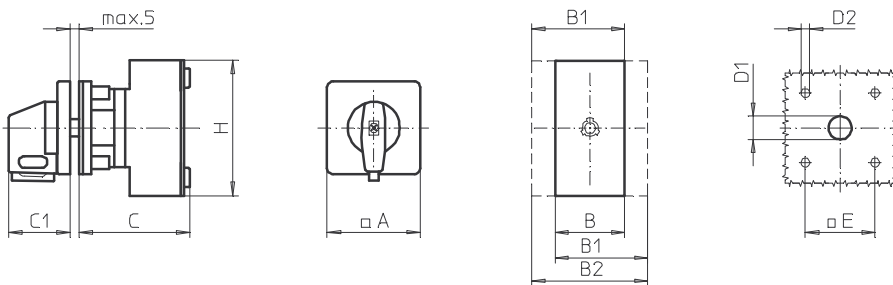
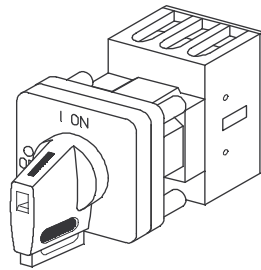
Complete switch	Poles	Product lines	Rated data (IEC 60947)			Order code number
			Operational current I _e	Operational power at 380–440 V		
			AC-21A A	AC-23A kW	AC-3 kW	
Main Switches OFF position padlockable 09h	3 ... 8	B200-A/ -D	50 63	18,5 22	15 18,5	B250 - 41 ... - 033N1 B263 - 41 ... - 033N1
Main/Emergency-OFF Switches OFF position padlockable 09h	3 ... 8	B200-A/ -D	50 63	18,5 22	15 18,5	B250 - 41 ... - 033N4 B263 - 41 ... - 033N4

SMD modules for basic switch A01						
Mounting form module for 033N.				B200-A/ -D		BFB2 - 033
N-padlock device 67 x 67 mm, mounting form 033N1 Escutcheon black, padlockable handle black						2CN1
N-padlock device 67 x 67 mm, mounting form 033N4 Escutcheon yellow, padlockable handle red						2CN4

Dimensions (mm)										
Product lines	A	B	B1	B2	C	C1	D1	D2	E	H
B200-A	67	50	69	88	58	33	15	4,5	36	72
B200-D	67	100	119	138	70	33	15	4,5	36	72

Front Mounting Switches

sälzer



**Product line
B200-A**

Front mounting switch

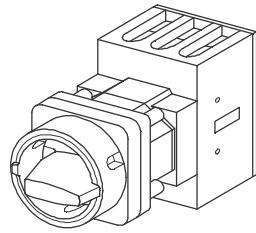
**Four hole mounting
36 x 36 mm**

**033V1 (IP66)
033V4 (IP66)**

Complete switch	Poles	Product lines	Rated data (IEC 60947)			Order code number				
			Operational current I _e	Operational power at 380–440 V						
			AC-21A A	AC-23A kW	AC-3 kW					
Main Switches OFF position padlockable 09h	3 ... 4	B200-A	50 63	18,5 22	15 18,5	B250 - 41 ... - 033V1 B263 - 41 ... - 033V1				
Main/Emergency-OFF Switches OFF position padlockable 09h	3 ... 4	B200-A	50 63	18,5 22	15 18,5	B250 - 41 ... - 033V4 B263 - 41 ... - 033V4				
SMD modules for basic switch A01										
Mounting form module for 033V.			B200-A			BFB2 - 003				
V-operator module 48 x 48 mm, mounting form 033V1 Escutcheon black, handle black						2AV1 - 09				
Legend plate silver, operator module 033V1						FAS2 - 9078				
V-operator module 48 x 48 mm, mounting form 033V4 Escutcheon black, handle red						2AV4 - 09				
Legend plate yellow, operator module 033V4						FBS2 - 9078				
Dimensions (mm)										
Product lines	A	B	B1	B2	C	C1	D1	D2	E	H
B200-A	48	50	69	88	58	32	12	3,5	36	72

Front Mounting Switches

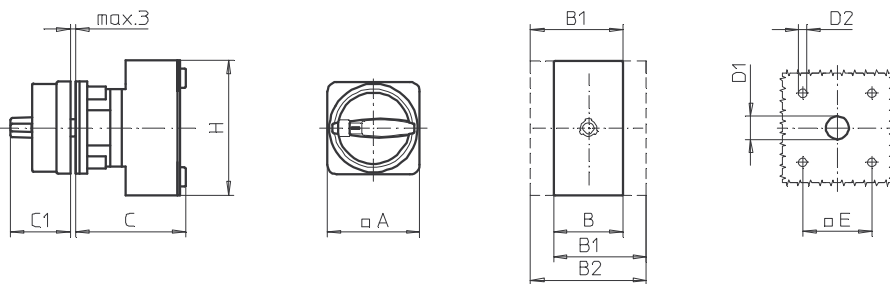
sälzer



**Product line
B200-A**

Front mounting switch

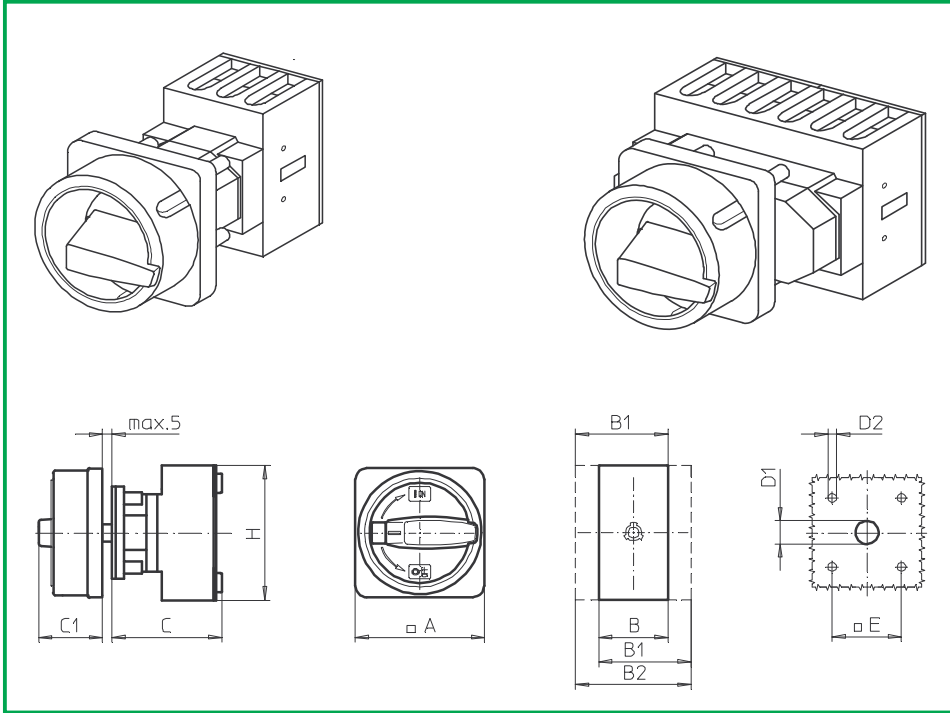
**Four hole mounting
36 x 36 mm**



**035M1 (IP66)
035M4 (IP66)**

Complete switch	Poles	Product lines	Rated data (IEC 60947)			Order code number				
			Operational current I _e AC-21A A	Operational power at 380–440 V AC-23A kW	AC-3 kW					
Main Switches OFF position padlockable 09h	3 ... 4	B200-A	50	18,5	15	B250 - 41 ... - 035M1				
			63	22	18,5	B263 - 41 ... - 035M1				
Main/Emergency-OFF Switches OFF position padlockable 09h	3 ... 4	B200-A	50	18,5	15	B250 - 41 ... - 035M4				
			63	22	18,5	B263 - 41 ... - 035M4				
SMD modules for basic switch A01										
Mounting form module for 035M.			B200-A		BFB2 - 003					
M-padlock device 48 x 48 mm, mounting form 035M1 Escutcheon black, padlockable handle black					2BM1					
M-padlock device 48 x 48 mm, mounting form 035M4 Escutcheon yellow, padlockable handle red					2BM4					
Dimensions (mm)										
Product lines	A	B	B1	B2	C	C1	D1	D2	E	H
B200-A	48	50	69	88	58	31	12	4,5	38	72

Front Mounting Switches



Product line
B200-A/ -D

Front mounting switch
 Operator module of next size

Four hole mounting
 48 x 48 mm

036M1 (IP66)
036M4 (IP66)

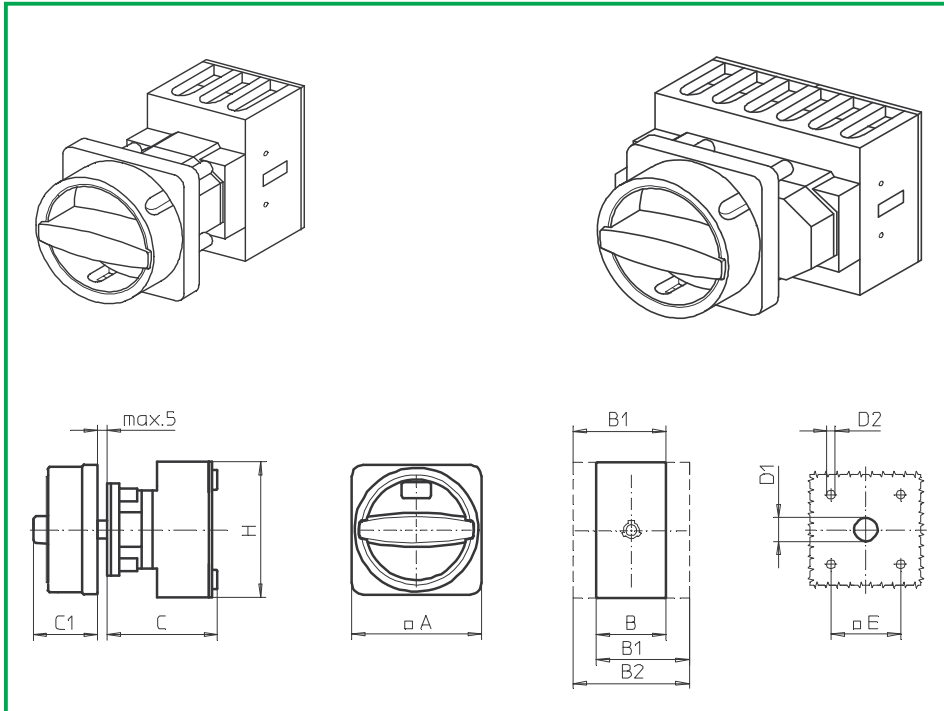
Complete switch	Poles	Product lines	Rated data (IEC 60947)			Order code number
			Operational current I _e	Operational power at 380–440 V		
			AC-21A A	AC-23A kW	AC-3 kW	
Main Switches OFF position padlockable 09h	3 ... 8	B200-A/ -D	50 63	18,5 22	15 18,5	B250 - 41 ... - 036M1 B263 - 41 ... - 036M1
Main/Emergency-OFF Switches OFF position padlockable 09h	3 ... 8	B200-A/ -D	50 63	18,5 22	15 18,5	B250 - 41 ... - 036M4 B263 - 41 ... - 036M4

SMD modules for basic switch A01			
Mounting form module for 036M.		B200-A/ -D	BFB2 - 036
M-padlock device 67 x 67 mm, mounting form 036M1 Escutcheon black, padlockable handle black			4BM1
M-padlock device 67 x 67 mm, mounting form 036M4 Escutcheon yellow, padlockable handle red			4BM4

Dimensions (mm)										
Product lines	A	B	B1	B2	C	C1	D1	D2	E	H
B200-A	67	50	69	88	58	38	15	5	48	72
B200-D	67	100	119	138	70	38	15	5	48	72

Front Mounting Switches

sälzer



**Product lines
B200-A/ -D**

Front mounting switch
Operator module of next size

Four hole mounting
48 x 48 mm

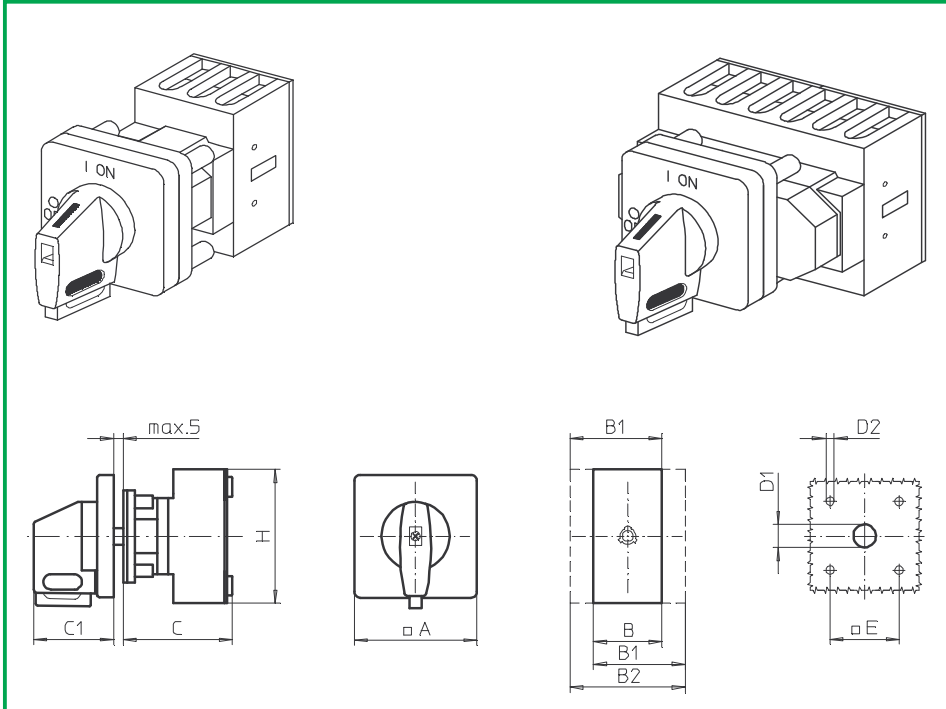
036N1 (IP66)
036N4 (IP66)

Complete switch	Poles	Product lines	Rated data (IEC 60947)			Order code number
			Operational current I _e	Operational power at 380–440 V		
			AC-21A A	AC-23A kW	AC-3 kW	
Main Switches OFF position padlockable 09h	3 ... 8	B200-A/ -D	50 63	18,5 22	15 18,5	B250 - 41 ... - 036N1 B263 - 41 ... - 036N1
Main/Emergency-OFF Switches OFF position padlockable 09h	3 ... 8	B200-A/ -D	50 63	18,5 22	15 18,5	B250 - 41 ... - 036N4 B263 - 41 ... - 036N4

SMD modules for basic switch A01						
Mounting form module for 036N.				B200-A/ -D		BFB2 - 036
N-padlock device 67 x 67 mm, mounting form 036N1 Escutcheon black, padlockable handle black						4BN1
N-padlock device 67 x 67 mm, mounting form 036N4 Escutcheon yellow, padlockable handle red						4BN4

Dimensions (mm)										
Product lines	A	B	B1	B2	C	C1	D1	D2	E	H
B200-A	67	50	69	88	58	33	15	5	48	72
B200-D	67	100	119	138	70	33	15	5	48	72

Front Mounting Switches



Product lines
B200-A/ -D

Front mounting switch
 Operator module of next size

Four hole mounting
 48 x 48 mm

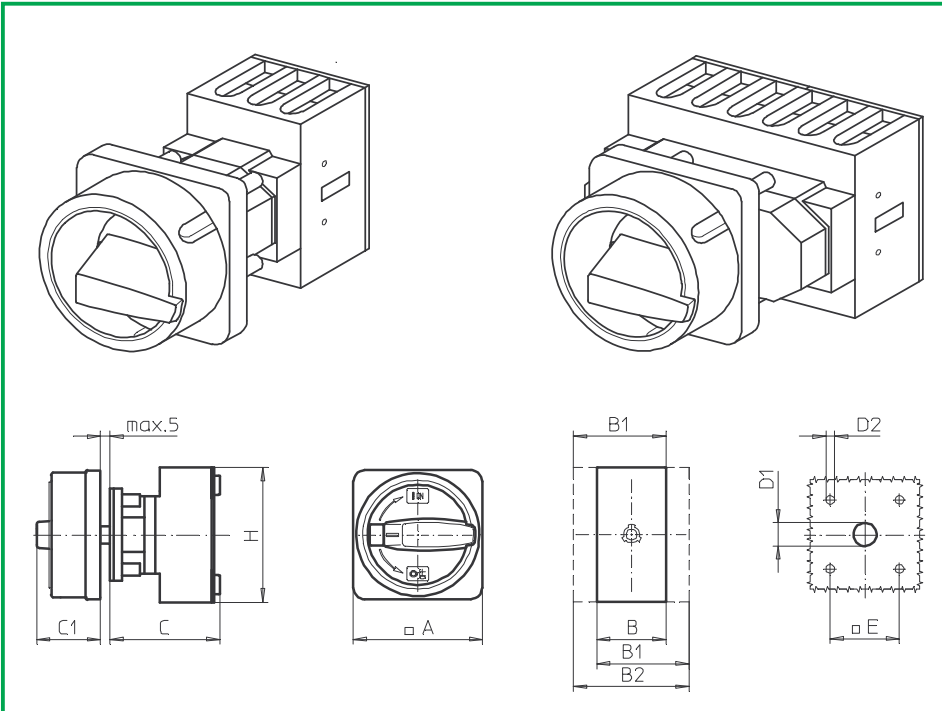
036V1 (IP66)
036V4 (IP66)

Complete switch	Poles	Product lines	Rated data (IEC 60947)			Order code number
			Operational current I _e	Operational power at 380–440 V		
			AC-21A A	AC-23A kW	AC-3 kW	
Main Switches OFF position padlockable 09h	3 ... 8	B200-A/ -D	50 63	18,5 22	15 18,5	B250 - 41 ... - 036V1 B263 - 41 ... - 036V1
Main/Emergency-OFF Switches OFF position padlockable 09h	3 ... 8	B200-A/ -D	50 63	18,5 22	15 18,5	B250 - 41 ... - 036V4 B263 - 41 ... - 036V4

SMD modules for basic switch A01			
Mounting form module for 036V.		B200-A/ -D	BFB2 - 013
V-operator module 64 x 64 mm, mounting form 036V1 Escutcheon black, handle black			4AV1 - 09
Legend plate silver, operator module 036V1			FAS4 - 9078
V-operator module 64 x 64 mm, mounting form 036V4 Escutcheon black, handle red			4AV4 - 09
Legend plate yellow, operator module 036V4			FBS4 - 9078

Dimensions (mm)										
Product lines	A	B	B1	B2	C	C1	D1	D2	E	H
B200-A	64	50	69	88	58	39	15	5	48	72
B200-D	64	100	119	138	70	39	15	5	48	72

Front Mounting Switches



Product lines
B200-A/ -D

Front mounting switch
 Operator module of size 600

Four hole mounting
 68 x 68 mm

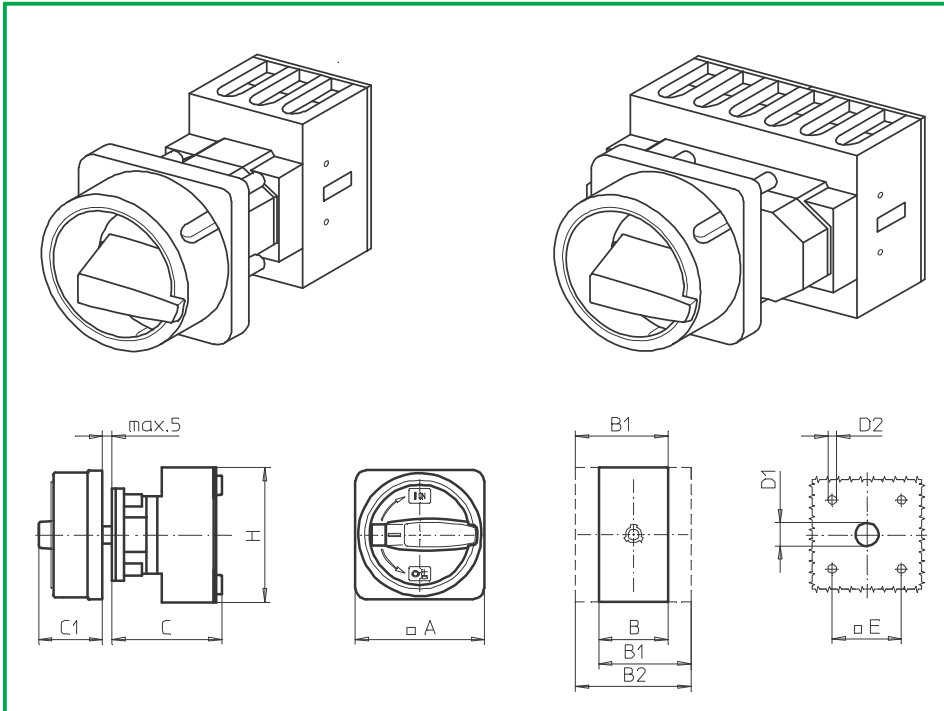
136M1 (IP66)
136M4 (IP66)

Complete switch	Poles	Product lines	Rated data (IEC 60947)			Order code number
			Operational current I _e	Operational power at 380–440 V		
			AC-21A A	AC-23A kW	AC-3 kW	
Main Switches OFF position padlockable 09h	3 ... 8	B200-A/ -D	50 63	18,5 22	15 18,5	B250 - 41 ... - 136M1 B263 - 41 ... - 136M1
Main/Emergency-OFF Switches OFF position padlockable 09h	3 ... 8	B200-A/ -D	50 63	18,5 22	15 18,5	B250 - 41 ... - 136M4 B263 - 41 ... - 136M4

SMD modules for basic switch A01			
Mounting form module for 136M.		B200-A/ -D	BFA2 - 136
M-padlock device 88 x 88 mm, mounting form 136M1 Escutcheon black, padlockable handle black			6HM1
M-padlock device 88 x 88 mm, mounting form 136M4 Escutcheon yellow, padlockable handle red			6HM4

Dimensions (mm)										
Product lines	A	B	B1	B2	C	C1	D1	D2	E	H
B200-A	88	50	69	88	58	50	15	5,5	68	72
B200-D	88	100	119	138	70	50	15	5,5	68	72

Front Mounting Switches



Product lines
B200 -A/ -D

Front mounting switch
 Operator module of size 600

Four hole mounting
 68 x 68 mm

136N1 (IP66)
136N4 (IP66)

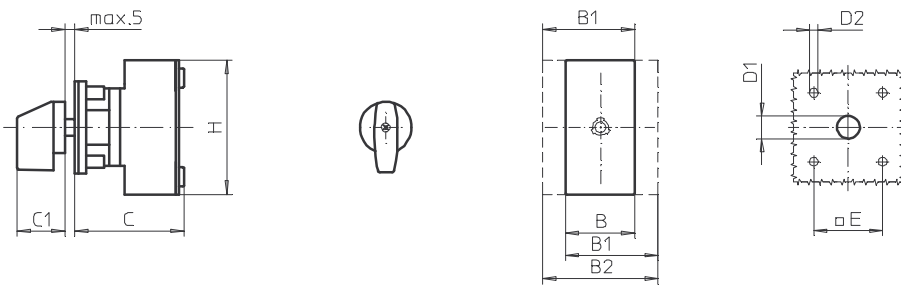
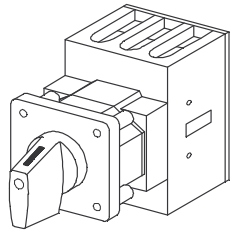
Complete switch	Poles	Product lines	Rated data (IEC 60947)			Order code number
			Operational current I _e	Operational power at 380–440 V		
			AC-21A A	AC-23A kW	AC-3 kW	
Main Switches OFF position padlockable 09h	3 ... 8	B200-A/ -D	50 63	18,5 22	15 18,5	B250 - 41 ... - 136N1 B263 - 41 ... - 136N1
Main/Emergency-OFF Switches OFF position padlockable 09h	3 ... 8	B200-A/ -D	50 63	18,5 22	15 18,5	B250 - 41 ... - 136N4 B263 - 41 ... - 136N4

SMD modules for basic switch A01			
Mounting form module for 136N.		B200-A/ -D	BFA2 - 136
N-padlock device 88 x 88 mm, mounting form 136N1 Escutcheon black, padlockable handle black			6HN1
N-padlock device 88 x 88 mm, mounting form 136N4 Escutcheon yellow, padlockable handle red			6HN4

Dimensions (mm)										
Product lines	A	B	B1	B2	C	C1	D1	D2	E	H
B200-A	88	50	69	88	58	45	15	5,5	68	72
B200-D	88	100	119	138	70	45	15	5,5	68	72

Front Mounting Switches

sälzer



**Product line
B200-A**

**Front mounting switch
without escutcheon**

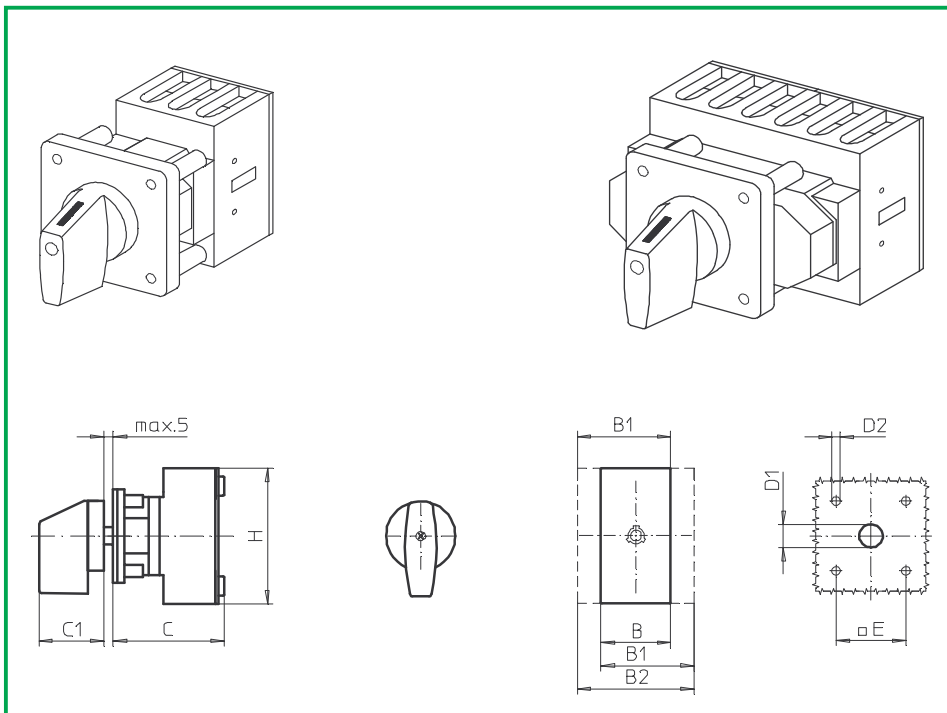
**Four hole mounting
36 x 36 mm**

103M1 (IP66)

Complete switch	Poles	Product lines	Rated data (IEC 60947)			Order code number			
			Operational current I_e	Operational power at 380–440 V					
			AC-21A A	AC-23A kW	AC-3 kW				
ON-OFF Switches Switching angle 90°	3 ... 4	B200-A	50 63	18,5 22	15 18,5	B250 - 41 ... - 103M1 B263 - 41 ... - 103M1			
SMD modules for basic switch A01									
Mounting form module for 103M1 (shaft shortened by 5 mm)				B200-A		BFB2 - 103			
M-handle black, mounting form 103M1 (without escutcheon and legend plate)						2XM1			
Dimensions (mm)									
Product lines	B	B1	B2	C	C1	D1	D2	E	H
B200-A	50	69	88	58	25	12	4,5	36	72

Front Mounting Switches

sälzer



**Product lines
B200-A/ -D/ -E**

Front mounting switch
Operator module of next size
without escutcheon

Four hole mounting
48 x 48 mm

113M1 (IP66)

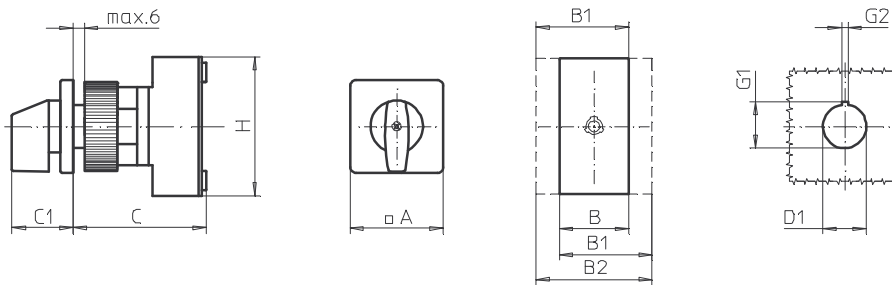
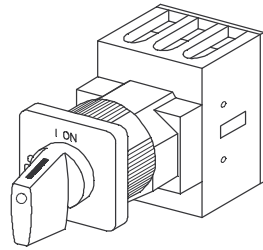
Complete switch	Poles	Product lines	Rated data (IEC 60947)			Order code number
			Operational current I _e	Operational power at 380–440 V		
			AC-21A A	AC-23A kW	AC-3 kW	
ON-OFF Switches Switching angle 90°	3 ... 8	B200-A/ -D	50 63	18,5 22	15 18,5	B250 - 41 ... - 113M1 B263 - 41 ... - 113M1
Changeover with OFF Switching angle 90°	3 ... 4	B200-E	50 63	18,5 22	15 18,5	B250 - 71 ... - 113M1 B263 - 71 ... - 113M1

SMD modules for basic switch A01		
Mounting form module for 113M1 (shaft shortened by 5 mm)	B200-A/ -D/ -E	BFB2 - 036
M-handle black, mounting form 113M1 (without escutcheon and legend plate)		4XM1

Dimensions (mm)									
Product lines	B	B1	B2	C	C1	D1	D2	E	H
B200-A	50	69	88	58	30	15	5	48	72
B200-D	100	119	138	70	30	15	5	48	72
B200-E	100	119	138	70	30	15	5	48	72

Front Mounting Switches

sälzer



**Product line
B200-A**

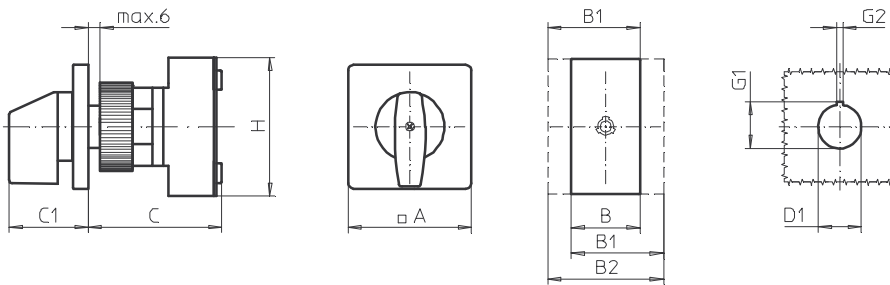
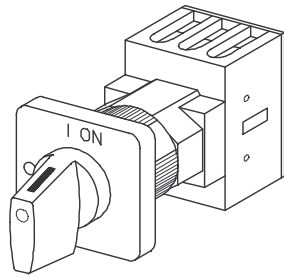
Front mounting switch

Single hole mounting
ø 22,5 mm

219M1 (IP66)

Complete switch	Poles	Product lines	Rated data (IEC 60947)			Order code number				
			Operational current I _e	Operational power at 380–440 V						
			AC-21A A	AC-23A kW	AC-3 kW					
ON-OFF Switches Switching angle 90°	3 ... 4	B200-A	50 63	18,5 22	15 18,5	B250 - 41 ... - 219M1 B263 - 41 ... - 219M1				
SMD modules for basic switch A01										
Mounting form module for 219M1			B200-A			BFB2 - 219				
M-operator module 48 x 48 mm, mounting form 219M1 Escutcheon black, handle black						2DM1				
Legend plate silver, operator module 219M1						FAS2 - 9... (FA number)				
Dimensions (mm)										
Product line	A	B	B1	B2	C	C1	D1	G1	G2	H
B200-A	48	50	69	88	75	32	22,5	24,2	3,2	72

Front Mounting Switches



**Product line
B200-A**

Front mounting switch
Operator module of next size

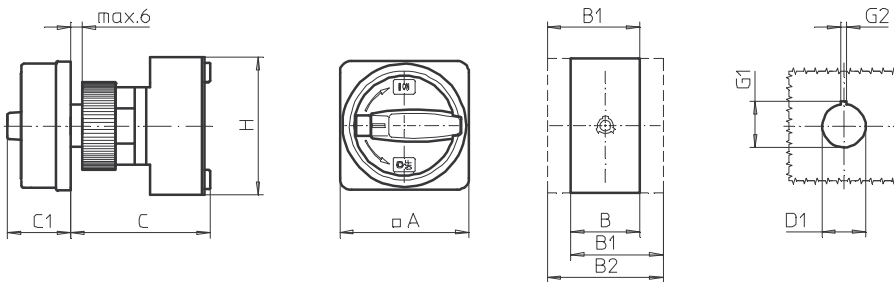
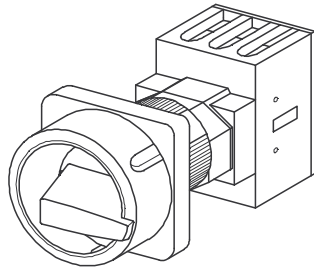
Single hole mounting
ø 22,5 mm

214M1 (IP66)

Complete switch	Poles	Product lines	Rated data (IEC 60947)			Order code number				
			Operational current I _e	Operational power at 380–440 V						
			AC-21A A	AC-23A kW	AC-3 kW					
ON-OFF Switches Switching angle 90°	3 ... 4	B200-A	50 63	18,5 22	15 18,5	B250 - 41 ... - 214M1 B263 - 41 ... - 214M1				
SMD modules for basic switch A01										
Mounting form module for 214M1			B200-A			BFB2 - 219				
M-operator module 64 x 64 mm, mounting form 214M1 Escutcheon black, handle black						2KM1				
Legend plate silver, operator module 214M1						FAS4 - 9... (FA number)				
Dimensions (mm)										
Product line	A	B	B1	B2	C	C1	D1	G1	G2	H
B200-A	64	50	69	88	75	39	22,5	24,2	3,2	72

Front Mounting Switches

sälzer



**Product line
B200-A**

Front mounting switch

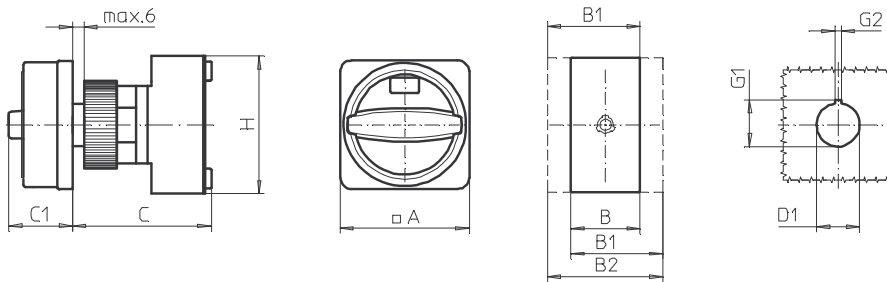
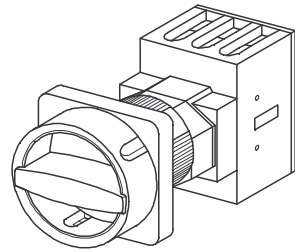
**Single hole mounting
ø 22,5 mm**

**206M1 (IP66)
206M4 (IP66)**

Complete switch	Poles	Product lines	Rated data (IEC 60947)			Order code number				
			Operational current I _e	Operational power at 380–440 V						
			AC-21A A	AC-23A kW	AC-3 kW					
Main Switches OFF position padlockable 09h	3 ... 4	B200-A	50	18,5	15	B250 - 41 ... - 206M1				
			63	22	18,5	B263 - 41 ... - 206M1				
Main/Emergency-OFF Switches OFF position padlockable 09h	3 ... 4	B200-A	50	18,5	15	B250 - 41 ... - 206M4				
			63	22	18,5	B263 - 41 ... - 206M4				
SMD modules for basic switch A01										
Mounting form module for 206M.			B200-A			BFB2 - 219				
M-padlock device 67 x 67 mm, mounting form 206M1 Escutcheon black, padlockable handle black						2FM1				
M-padlock device 67 x 67 mm, mounting form 206M4 Escutcheon yellow, padlockable handle red						2FM4				
Dimensions (mm)										
Product line	A	B	B1	B2	C	C1	D1	G1	G2	H
B200-A	67	50	69	88	75	38	22,5	24,2	3,2	72

Front Mounting Switches

sälzer



**Product line
B200-A**

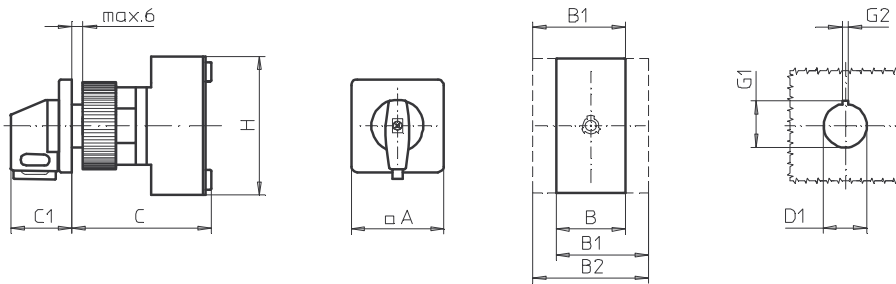
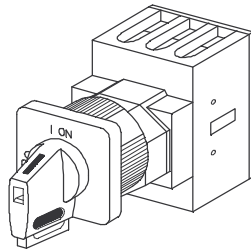
Front mounting switch

**Single hole mounting
ø 22,5 mm**

**206N1 (IP66)
206N4 (IP66)**

Complete switch	Poles	Product lines	Rated data (IEC 60947)			Order code number				
			Operational current I _e AC-21A A	Operational power at 380–440 V AC-23A kW	AC-3 kW					
Main Switches OFF position padlockable 09h	3 ... 4	B200-A	50 63	18,5 22	15 18,5	B250 - 41 ... - 206N1 B263 - 41 ... - 206N1				
Main/Emergency-OFF Switches OFF position padlockable 09h	3 ... 4	B200-A	50 63	18,5 22	15 18,5	B250 - 41 ... - 206N4 B263 - 41 ... - 206N4				
SMD modules for basic switch A01										
Mounting form module for 206N.			B200-A			BFB2 - 219				
N-padlock device 67 x 67 mm, mounting form 206N1 Escutcheon black, padlockable handle black						2FN1				
N-padlock device 67 x 67 mm, mounting form 206N4 Escutcheon yellow, padlockable handle red						2FN4				
Dimensions (mm)										
Product line	A	B	B1	B2	C	C1	D1	G1	G2	H
B200-A	67	50	69	88	75	33	22,5	24,2	3,2	72

Front Mounting Switches



**Product line
B200-A**

Front mounting switch

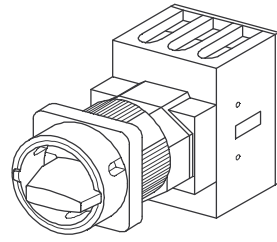
**Single hole mounting
ø 22,5 mm**

**206V1 (IP66)
206V4 (IP66)**

Complete switch	Poles	Product lines	Rated data (IEC 60947)			Order code number				
			Operational current I _e	Operational power at 380–440 V						
			AC-21A A	AC-23A kW	AC-3 kW					
Main Switches OFF position padlockable 09h	3 ... 4	B200-A	50 63	18,5 22	15 18,5	B250 - 41 ... - 206V1 B263 - 41 ... - 206V1				
Main/Emergency-OFF Switches OFF position padlockable 09h	3 ... 4	B200-A	50 63	18,5 22	15 18,5	B250 - 41 ... - 206V4 B263 - 41 ... - 206V4				
SMD modules for basic switch A01										
Mounting form module for 206V.			B200-A			BFB2 - 219				
V-operator module 48 x 48 mm, mounting form 206V1 Escutcheon black, handle black						2DV1 - 09				
Legend plate silver, operator module 206V1						FAS2 - 9078				
V-operator module 48 x 48 mm, mounting form 206V4 Escutcheon black, handle red						2DV4 - 09				
Legend plate yellow, operator module 206V4						FBS2 - 9078				
Dimensions (mm)										
Product line	A	B	B1	B2	C	C1	D1	G1	G2	H
B200-A	48	50	69	88	75	32	22,5	24,2	3,2	72

Front Mounting Switches

sälzer

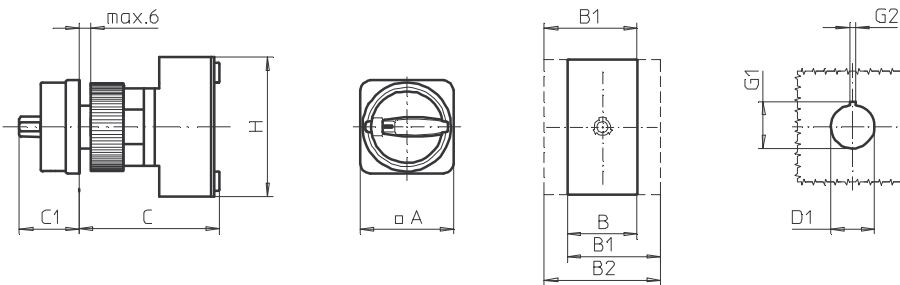


**Product line
B200-A**

Front mounting switch

**Single hole mounting
ø 22,5 mm**

**205M1 (IP66)
205M4 (IP66)**



Complete switch	Poles	Product lines	Rated data (IEC 60947)			Order code number
			Operational current I _e	Operational power at 380–440 V		
			AC-21A A	AC-23A kW	AC-3 kW	
Main Switches OFF position padlockable 09h	3 ... 4	B200-A	50 63	18,5 22	15 18,5	B250 - 41 ... - 205M1 B263 - 41 ... - 205M1
Main/Emergency-OFF Switches OFF position padlockable 09h	3 ... 4	B200-A	50 63	18,5 22	15 18,5	B250 - 41 ... - 205M4 B263 - 41 ... - 205M4

SMD modules for basic switch A01

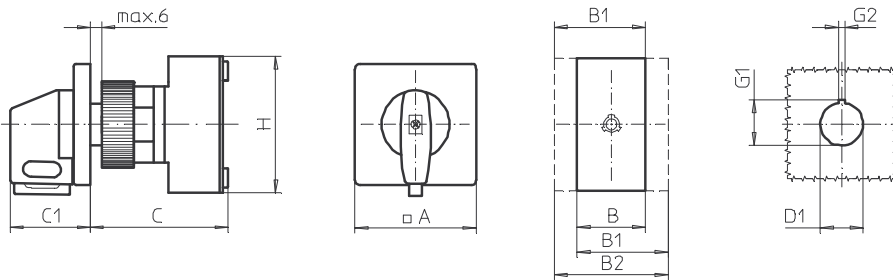
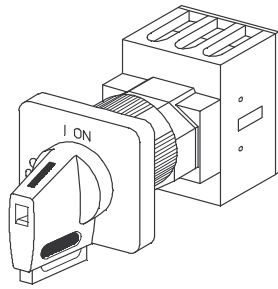
Mounting form module for 205M.	B200-A	BFB2 - 219
M-padlock device 48 x 48 mm, mounting form 205M1 Escutcheon black, padlockable handle black		2EM1
M-padlock device 48 x 48 mm, mounting form 205M4 Escutcheon yellow, padlockable handle red		2EM4

Dimensions (mm)

Product line	A	B	B1	B2	C	C1	D1	G1	G2	H
B200-A	48	50	69	88	75	31	22,5	24,2	3,2	72

Front Mounting Switches

sälzer



**Product line
B200-A**

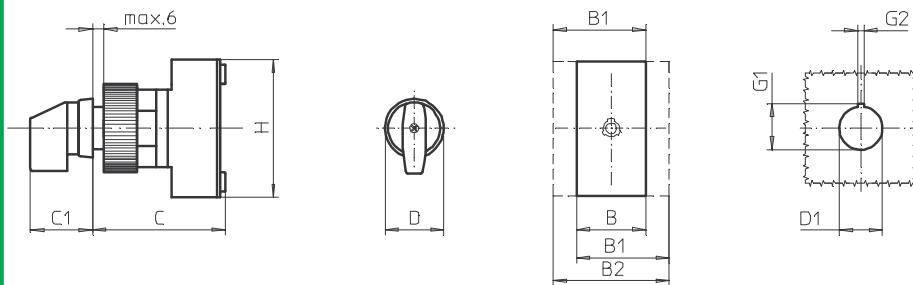
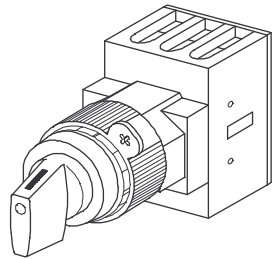
Front mounting switch
Operator module of next size

Single hole mounting
ø 22,5 mm

226V1 (IP66)
226V4 (IP66)

Complete switch	Poles	Product lines	Rated data (IEC 60947)			Order code number				
			Operational current I _e	Operational power at 380–440 V						
			AC-21A A	AC-23A kW	AC-3 kW					
Main Switches OFF position padlockable 09h	3 ... 4	B200-A	50 63	18,5 22	15 18,5	B250 - 41 ... - 226V1 B263 - 41 ... - 226V1				
Main/Emergency-OFF Switches OFF position padlockable 09h	3 ... 4	B200-A	50 63	18,5 22	15 18,5	B250 - 41 ... - 226V4 B263 - 41 ... - 226V4				
SMD modules for basic switch A01										
Mounting form module for 226V.			B200-A			BFB2 - 219				
V-operator module 64 x 64 mm, mounting form 226V1 Escutcheon black, handle black						2KV1 - 09				
Legend plate silver, operator module 226V1						FAS4 - 9078				
V-operator module 64 x 64 mm, mounting form 226V4 Escutcheon black, handle red						2KV4 - 09				
Legend plate yellow, operator module 226V4						FBS4 - 9078				
Dimensions (mm)										
Product line	A	B	B1	B2	C	C1	D1	G1	G2	H
B200-A	64	50	69	88	75	39	22,5	24,2	3,2	72

Front Mounting Switches



**Product line
B200-A**

**Front mounting switch
with front ring**

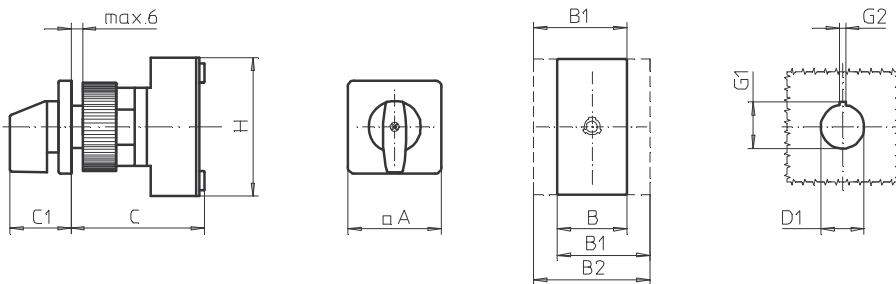
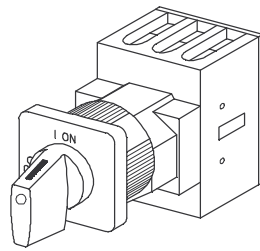
**Single hole mounting
ø 22,5 mm**

218M1 (IP66)

Complete switch	Poles	Product lines	Rated data (IEC 60947)			Order code number				
			Operational current I _e	Operational power at 380–440 V						
			AC-21A A	AC-23A kW	AC-3 kW					
ON-OFF Switches Switching angle 90°	3 ... 4	B200-A	50 63	18,5 22	15 18,5	B250 - 41 ... - 218M1 B263 - 41 ... - 218M1				
SMD modules for basic switch A01										
Mounting form module for 218M1			B200-A			BFB2 - 219				
Frontring black ø 30,5 mm M-handle black, mounting form 218M1 (front ring without inscription)						2HM1				
Dimensions (mm)										
Product line	B	B1	B2	C	C1	D	D1	G1	G2	H
B200-A	50	69	88	75	31,5	31	22,5	24,2	3,2	72

Front Mounting Switches

sälzer



**Product line
B200-A**

Front mounting switch

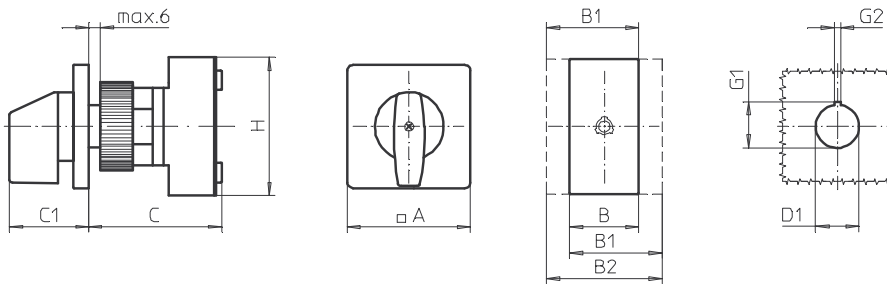
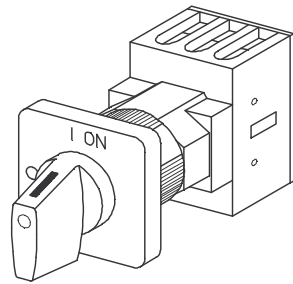
Single hole mounting
ø 30,5 mm

209M1 (IP66)

Complete switch	Poles	Product lines	Rated data (IEC 60947)			Order code number				
			Operational current I _e	Operational power at 380–440 V						
			AC-21A A	AC-23A kW	AC-3 kW					
ON-OFF Switches Switching angle 90°	3 ... 4	B200-A	50 63	18,5 22	15 18,5	B250 - 41 ... - 209M1 B263 - 41 ... - 209M1				
SMD modules for basic switch A01										
Mounting form module for 209M1			B200-A			BFB2 - 219				
M-operator module 48 x 48 mm, mounting form 209M1 Escutcheon black, handle black						2DM1 - 30				
Legend plate silver, operator module 209M1						FAS2 - 9... (FA number)				
Dimensions (mm)										
Product line	A	B	B1	B2	C	C1	D1	G1	G2	H
B200-A	48	50	69	88	75	32	30,5	33	4,8	72

Front Mounting Switches

sälzer



**Product lines
B200-A**

Front mounting switch
Operator module of next size

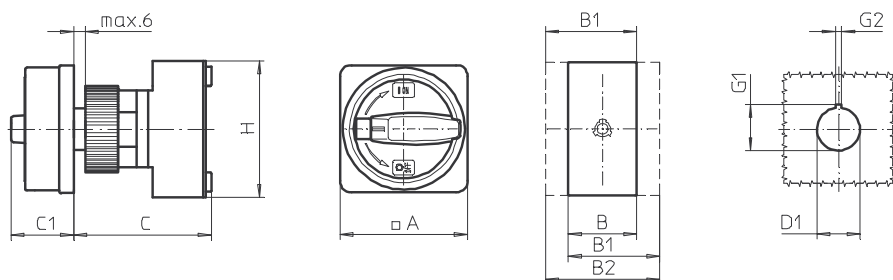
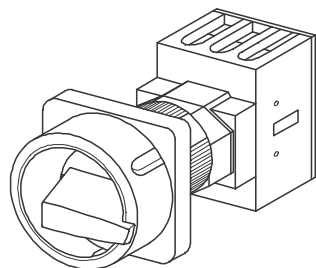
Single hole mounting
ø 30,5 mm

204M1 (IP66)

Complete switch	Poles	Product lines	Rated data (IEC 60947)			Order code number				
			Operational current I _e	Operational power at 380–440 V						
			AC-21A A	AC-23A kW	AC-3 kW					
ON-OFF Switches Switching angle 90°	3 ... 4	B200-A	50 63	18,5 22	15 18,5	B250 - 41 ... - 204M1 B263 - 41 ... - 204M1				
SMD modules for basic switch A01										
Mounting form module for 204M1			B200-A			BFB2 - 219				
M-operator module 64 x 64 mm, mounting form 204M1 Escutcheon black, handle black						2KM1 - 30				
Legend plate silver, operator module 204M1						FAS4 - 9... (FA number)				
Dimensions (mm)										
Product lines	A	B	B1	B2	C	C1	D1	G1	G2	H
B200-A	64	50	69	88	75	39	30,5	33	4,8	72

Front Mounting Switches

sälzer



**Product line
B200-A**

Front mounting switch

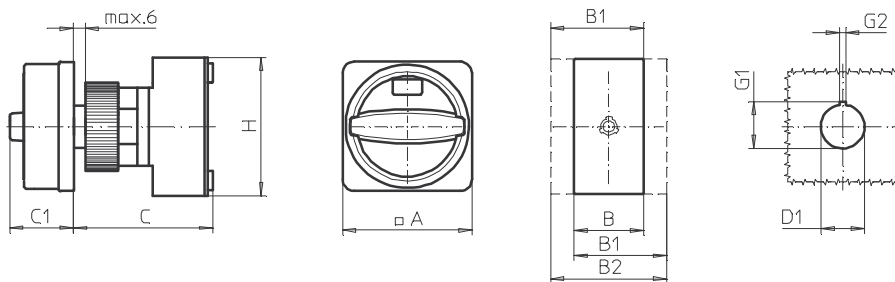
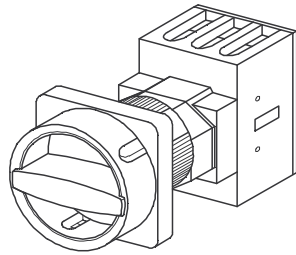
**Single hole mounting
ø 30,5 mm**

**216M1 (IP66)
216M4 (IP66)**

Complete switch	Poles	Product lines	Rated data (IEC 60947)			Order code number				
			Operational current I _e	Operational power at 380–440 V						
			AC-21A A	AC-23A kW	AC-3 kW					
Main Switches OFF position padlockable 09h	3 ... 4	B200-A	50 63	18,5 22	15 18,5	B250 - 41 ... - 216M1 B263 - 41 ... - 216M1				
Main/Emergency-Off Switches OFF position padlockable 09h	3 ... 4	B200-A	50 63	18,5 22	15 18,5	B250 - 41 ... - 216M4 B263 - 41 ... - 216M4				
SMD modules for basic switch A01										
Mounting form module for 216M.			B200-A			BFB2 - 219				
M-padlock device 67 x 67 mm, mounting form 216M1 Escutcheon black, padlockable handle black						2FM1 - 30				
M-padlock device 67 x 67 mm, mounting form 216M4 Escutcheon yellow, padlockable handle red						2FM4 - 30				
Dimensions (mm)										
Product line	A	B	B1	B2	C	C1	D1	G1	G2	H
B200-A	67	50	69	88	75	38	30,5	33	4,8	72

Front Mounting Switches

sälzer



**Product line
B200-A**

Front mounting switch

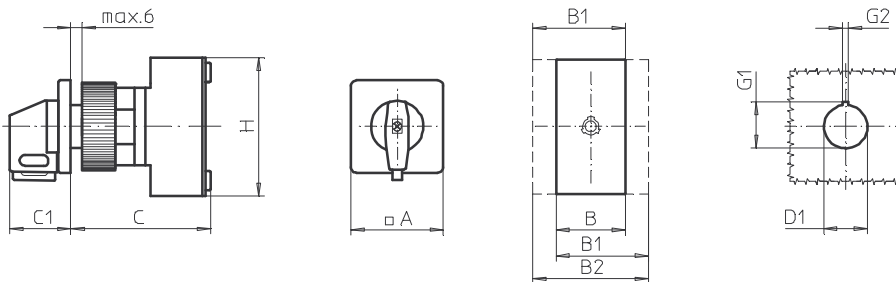
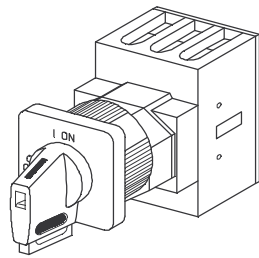
**Single hole mounting
ø 30,5 mm**

**216N1 (IP66)
216N4 (IP66)**

Complete switch	Poles	Product lines	Rated data (IEC 60947)			Order code number				
			Operational current I _e	Operational power at 380–440 V						
			AC-21A A	AC-23A kW	AC-3 kW					
Main Switches OFF position padlockable 09h	3 ... 4	B200-A	50 63	18,5 22	15 18,5	B250 - 41 ... - 216N1 B263 - 41 ... - 216N1				
Main/Emergency-Off Switches OFF position padlockable 09h	3 ... 4	B200-A	50 63	18,5 22	15 18,5	B250 - 41 ... - 216N4 B263 - 41 ... - 216N4				
SMD modules for basic switch A01										
Mounting form module for 216N.			B200-A			BFB2 - 219				
N-padlock device 67 x 67 mm, mounting form 216N1 Escutcheon black, padlockable handle black						2FN1 - 30				
N-padlock device 67 x 67 mm, mounting form 216N4 Escutcheon yellow, padlockable handle red						2FN4 - 30				
Dimensions (mm)										
Product line	A	B	B1	B2	C	C1	D1	G1	G2	H
B200-A	67	50	69	88	75	33	30,5	33	4,8	72

Front Mounting Switches

sälzer



**Product line
B200-A**

Front mounting switch

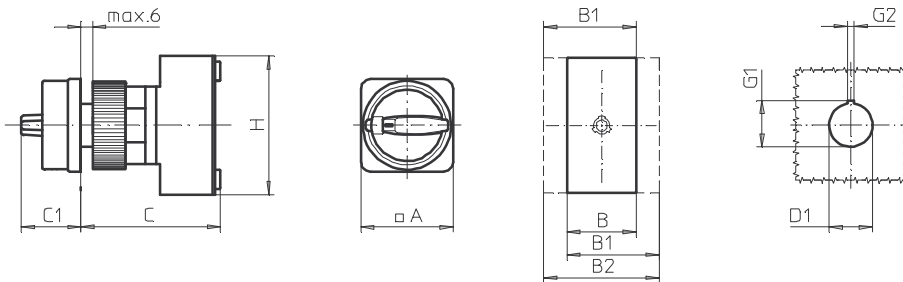
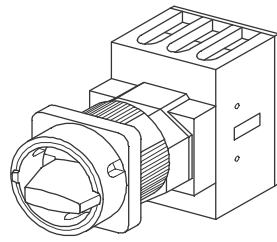
**Single hole mounting
ø 30,5 mm**

**215V1 (IP66)
215V4 (IP66)**

Complete switch	Poles	Product lines	Rated data (IEC 60947)			Order code number				
			Operational current I _e	Operational power at 380–440 V						
			AC-21A A	AC-23A kW	AC-3 kW					
Main Switches OFF position padlockable 09h	3 ... 4	B200-A	50 63	18,5 22	15 18,5	B250 - 41 ... - 215V1 B263 - 41 ... - 215V1				
Main/Emergency-Off Switches OFF position padlockable 09h	3 ... 4	B200-A	50 63	18,5 22	15 18,5	B250 - 41 ... - 215V4 B263 - 41 ... - 215V4				
SMD modules for basic switch A01										
Mounting form module for 215V.			B200-A			BFB2 - 219				
V-operator module 48 x 48 mm, mounting form 215V1 Escutcheon black, handle black						2DV1 - 0930				
Legend plate silver, operator module 215V1						FAS2 - 9078				
V-operator module 48 x 48 mm, mounting form 215V4 Escutcheon black, handle red						2DV4 - 0930				
Legend plate yellow, operator module 215V4						FBS2 - 9078				
Dimensions (mm)										
Product line	A	B	B1	B2	C	C1	D1	G1	G2	H
B200-A	48	50	69	88	75	32	30,5	33	4,8	72

Front Mounting Switches

sälzer



**Product line
B200-A**

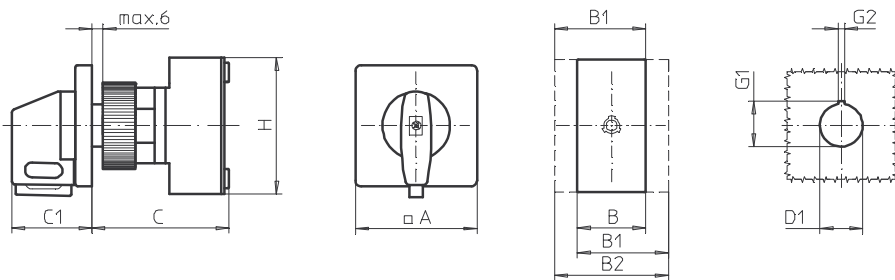
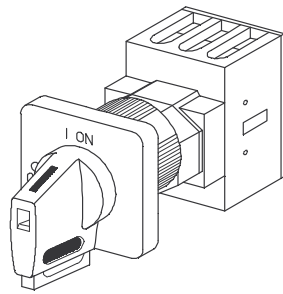
Front mounting switch

**Single hole mounting
ø 30,5 mm**

**215M1 (IP66)
215M4 (IP66)**

Complete switch	Poles	Product lines	Rated data (IEC 60947)			Order code number				
			Operational current I _e	Operational power at 380–440 V						
			AC-21A A	AC-23A kW	AC-3 kW					
Main Switches OFF position padlockable 09h	3 ... 4	B200-A	50	18,5	15	B250 - 41 ... - 215M1				
			63	22	18,5	B263 - 41 ... - 215M1				
Main/Emergency-Off Switches OFF position padlockable 09h	3 ... 4	B200-A	50	18,5	15	B250 - 41 ... - 215M4				
			63	22	18,5	B263 - 41 ... - 215M4				
SMD modules for basic switch A01										
Mounting form module for 215M.			B200-A			BFB2 - 219				
M-padlock device 48 x 48 mm, mounting form 215M1 Escutcheon black, padlockable handle black						2EM1 - 30				
M-padlock device 48 x 48 mm, mounting form 215M4 Escutcheon yellow, padlockable handle red						2EM4 - 30				
Dimensions (mm)										
Product line	A	B	B1	B2	C	C1	D1	G1	G2	H
B200-A	48	50	69	88	75	31	30,5	33	4,8	72

Front Mounting Switches



**Product line
B200-A**

Front mounting switch
Operator module of next size

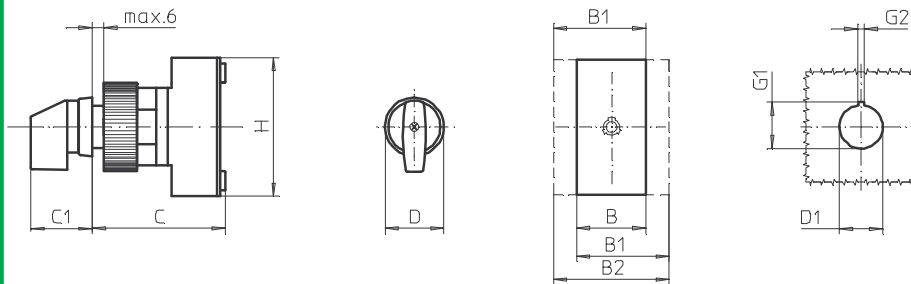
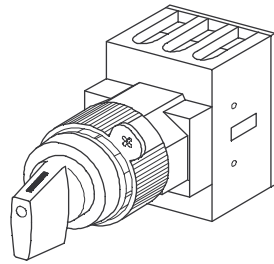
Single hole mounting
ø 30,5 mm

216V1 (IP66)
216V4 (IP66)

Complete switch	Poles	Product lines	Rated data (IEC 60947)			Order code number				
			Operational current I _e	Operational power at 380–440 V						
			AC-21A A	AC-23A kW	AC-3 kW					
Main Switches OFF position padlockable 09h	3 ... 4	B200-A	50 63	18,5 22	15 18,5	B250 - 41 ... - 216V1 B263 - 41 ... - 216V1				
Main/Emergency-Off Switches OFF position padlockable 09h	3 ... 4	B200-A	50 63	18,5 22	15 18,5	B250 - 41 ... - 216V4 B263 - 41 ... - 216V4				
SMD modules for basic switch A01										
Mounting form module for 216V.			B200-A			BFB2 - 219				
V-operator module 64 x 64 mm, mounting form 216V1 Escutcheon black, handle black						2KV1 - 0930				
Legend plate silver, operator module 216V1						FAS4 - 9078				
V-operator module 64 x 64 mm, mounting form 216V4 Escutcheon black, handle red						2KV4 - 0930				
Legend plate yellow, operator module 216V4						FBS4 - 9078				
Dimensions (mm)										
Product line	A	B	B1	B2	C	C1	D1	G1	G2	H
B200-A	64	50	69	88	75	39	30,5	33	4,8	72

Front Mounting Switches

sälzer



**Product line
B200-A**

**Front mounting switch
with front ring**

**Single hole mounting
ø 30,5 mm**

208M1 (IP66)

Complete switch	Poles	Product lines	Rated data (IEC 60947)			Order code number				
			Operational current I _e	Operational power at 380–440 V						
			AC-21A A	AC-23A kW	AC-3 kW					
ON-OFF Switches Switching angle 90°	3 ... 4	B200-A	50 63	18,5 22	15 18,5	B250 - 41 ... - 208M1 B263 - 41 ... - 208M1				
SMD modules for basic switch A01										
Mounting form module for 208M1				B200-A		BFB2 - 219				
Frontring black ø 39,5 mm M-handle black, mounting form 208M1 (front ring without inscription)						2HM1 - 30				
Dimensions (mm)										
Product line	B	B1	B2	C	C1	D	D1	G1	G2	H
B200-A	50	69	88	75	32	39,5	30,5	33	4,8	72



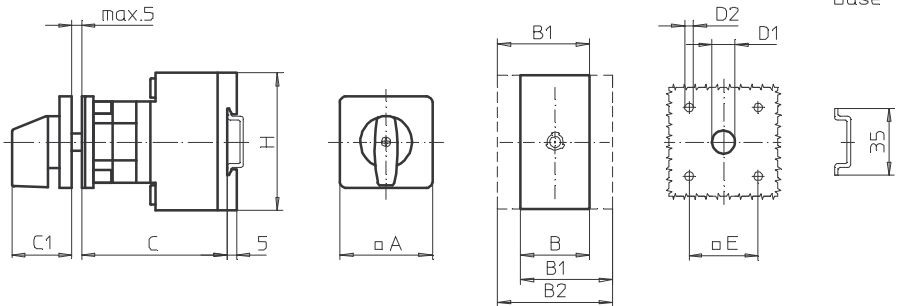
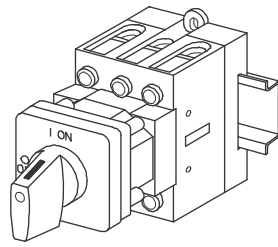
Section B

	Page	
	from	to
Base / front mounting	B1-1	B1-7
Door clutch with modular shaft extension Four hole front mounting	B2-1	B2-11
Door interlock with modular shaft extension Four hole front mounting	B3-1	B3-11
Door interlock with modular shaft extension Four hole front mounting N/PE connection link	B4-1	B4-11
Door clutch with metal shaft extension Single hole \varnothing 22,5 mm front mounting	B5-1	B5-9
Door interlock with metal shaft extension Single hole \varnothing 22,5 mm front mounting	B6-1	B6-9
Door clutch with metal shaft extension Four hole front mounting	B7-1	B7-11
Door interlock with metal shaft extension Four hole front mounting	B8-1	B8-11

Originator: Sälzer Electric GmbH · Product Data Management (PDM) · 09306 Rochlitz (Germany)
 Copyright reserved by Sälzer Electric GmbH. This document replaces all previous issues.
 Valid until a new version is published. Changes and revisions reserved.

Base Mounting Switches

sälzer



**Product line
B200-A**

Base mounting switch

Base/front mounting

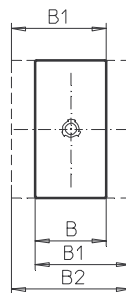
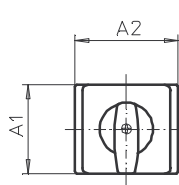
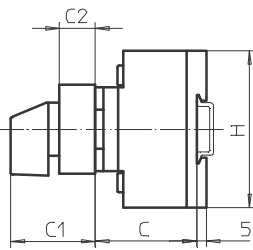
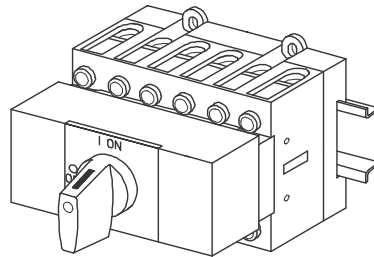
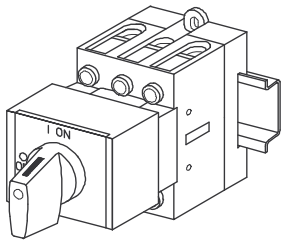
**Four hole mounting
36 x 36 mm front**

021M1

Complete switch	Poles	Product lines	Rated data (IEC 60947)			Order code number				
			Operational current I _e	Operational power at 380–440 V						
			AC-21A A	AC-23A kW	AC-3 kW					
ON-OFF Switches Switching angle 90°	3 ... 4		50 63	18,5 22	15 18,5	B250 - 41 ... - 021M1 B263 - 41 ... - 021M1				
SMD modules for basic switch A02										
Mounting form module for 021M1			B200-A			BFB2 - 003				
M-operator module 48 x 48 mm, mounting form 021M1 Escutcheon black, handle black						2AM1				
Legend plate silver, operator module 021M1						FAS2 - 9... (FA number)				
Dimensions (mm)										
Product lines	A	B	B1	B2	C	C1	D1	D2	E	H
B200-A	48	50	69	88	56	32	12	4,5	36	72

Base Mounting Switches

sälzer



**Product lines
B200-A/ -D/ -E**

Base mounting switch

Base/front mounting

DIN rail

With cover plate
45 mm aperture

026M1

Complete switch	Poles	Product lines	Rated data (IEC 60947)			Order code number
			Operational current I _e	Operational power at 380–440 V		
			AC-21A A	AC-23A kW	AC-3 kW	
ON-OFF Switches Switching angle 90°	3 ... 8	B200-A/ -D	50 63	18,5 22	15 18,5	B250 - 41 ... - 026M1 B263 - 41 ... - 026M1
Changeover with OFF Switching angle 90°	3 ... 4	B200-E	50 63	18,5 22	15 18,5	B250 - 71 ... - 026M1 B263 - 71 ... - 026M1

SMD modules for basic switch A02

Mounting form/operator module grey with
M-handle black, mounting form 026M1

B200-A
B200-D/ -E

BFB2 - 026M1
BFF2 - 026M1

Legend plate silver, mounting form/operator module 026M1

B200-A/ -D/ -E

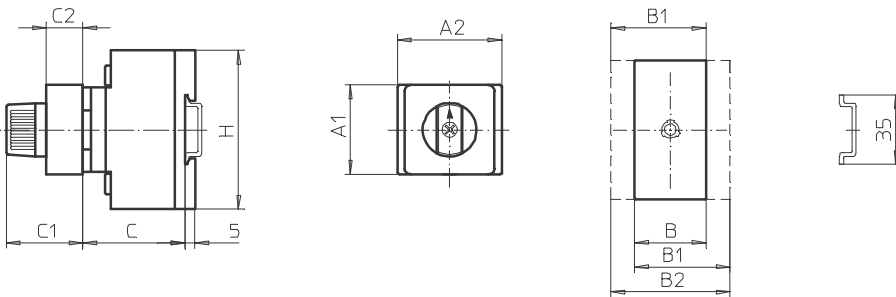
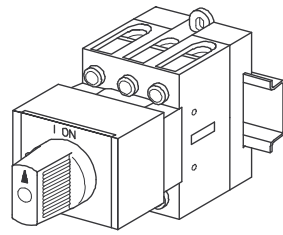
FAV2 - 9... (FA number)

Dimensions (mm)

Product lines	A1	A2	B	B1	B2	C	C1	C2	H
B200-A	45	52,5	50	69	88	38	45	18,5	72
B200-D	45	105	100	119	138	40	51,5	25,5	72
B200-E	45	105	100	119	138	40	51,5	25,5	72

Base Mounting Switches

sälzer



**Product line
B200-A**

Base mounting switch

Base/front mounting

DIN rail

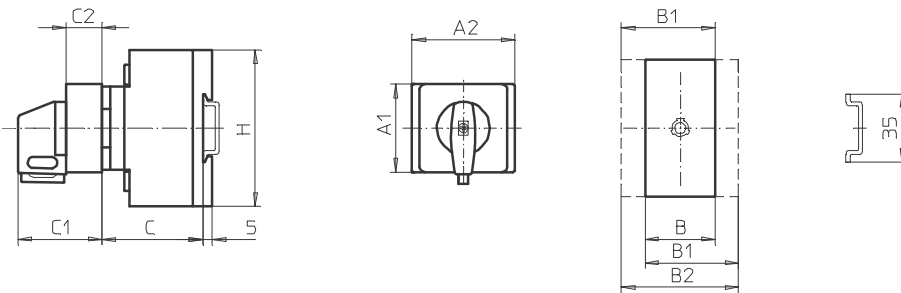
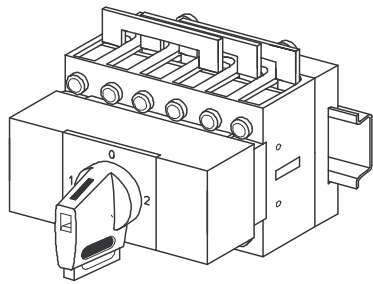
With cover plate
45 mm aperture

026N2

Complete switch	Poles	Product lines	Rated data (IEC 60947)			Order code number			
			Operational current I_e	Operational power at 380–440 V					
			AC-21A A	AC-23A kW	AC-3 kW				
ON-OFF Switches Switching angle 90°	3 ... 4	B200-A	50 63	18,5 22	15 18,5	B250 - 41 ... - 026N2 B263 - 41 ... - 026N2			
SMD modules for basic switch A02									
Mounting form/operator module grey with N-handle grey, mounting form 026N2			B200-A			BFB2 - 026N2			
Legend plate silver, mounting form/operator module 026N2						FAV2 - 9... (FA number)			
Dimensions (mm)									
Product lines	A1	A2	B	B1	B2	C	C1	C2	H
B200-A	45	52,5	50	69	88	38	40	18,5	72

Base Mounting Switches

sälzer



**Product line
B200-E**

Base mounting switch

Base/front mounting

DIN rail

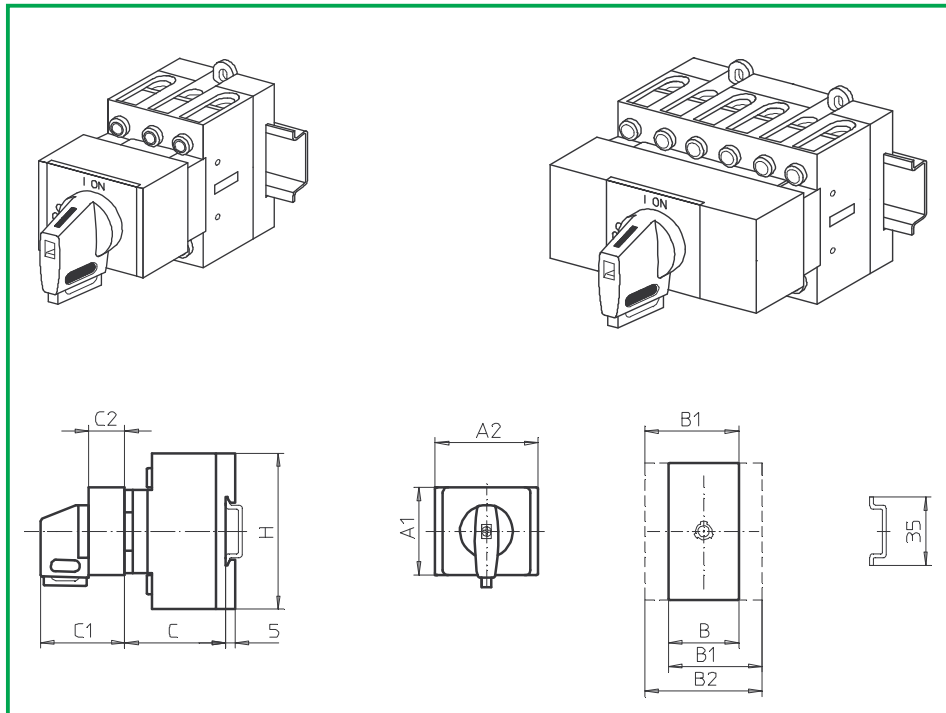
With cover plate
45 mm aperture

**028V1
027V1**

Complete switch	Poles	Product lines	Rated data (IEC 60947)			Order code number			
			Operational current I _e	Operational power at 380–440 V					
			AC-21A A	AC-23A kW	AC-3 kW				
Changeover with OFF Switching angle 90° OFF position padlockable 12h	3 ... 4	B200-E	50	18,5	15	B250 - 71 ... - 028V1			
			63	22	18,5	B263 - 71 ... - 028V1			
Changeover with OFF Switching angle 90° 3 positions padlockable (09h/12h/03h)	3 ... 4	B200-E	50	18,5	15	B250 - 71 ... - 027V1			
			63	22	18,5	B263 - 71 ... - 027V1			
SMD modules for basic switch A02									
Mounting form/operator module grey with V-handle black, mounting form 028V1			B200-E			BFB2 - 028V1			
Mounting form/operator module grey with V-handle black, mounting form 027V1						BFB2 - 027V1			
Legend plate silver, mounting form/operator module 028V1/ 027V1						FAV2 - 9 ... (FA number)			
Dimensions (mm)									
Product line	A1	A2	B	B1	B2	C	C1	C2	H
HB200-E	45	105	100	119	138	40	51,5	25,5	72

Base Mounting Switches

sälzer



**Product lines
B200-A/ -D**

Base mounting switch

Base/front mounting

DIN rail

With cover plate
45 mm aperture

**026V1
026V4**

Complete switch	Poles	Product lines	Rated data (IEC 60947)			Order code number
			Operational current I_e	Operational power at 380–440 V		
			AC-21A A	AC-23A kW	AC-3 kW	
Main Switches OFF position padlockable 09h	3 ... 8	B200-A/ -D	50 63	18,5 22	15 18,5	B250 - 41 ... - 026V1 B263 - 41 ... - 026V1
Main/Emergency-Off Switches OFF position padlockable 09h	3 ... 8	B200-A/ -D	50 63	18,5 22	15 18,5	B250 - 41 ... - 026V4 B263 - 41 ... - 026V4

SMD modules for basic switch A02

Mounting form/operator module grey with
V-handle black, mounting form 026V1

B200-A
B200-D
B200-A/ -D

BFB2 - 026V1
BFF2 - 026V1
FAV2 - 9... (FA number)

Legend plate silver, mounting form/operator module 026V1

Mounting form/operator module grey with
V-handle red, mounting form 026V4

B200-A
B200-D
B200-A/ -D

BFB2 - 026V4
BFF2 - 026V4
FBV2 - 9... (FA number)

Legend plate yellow, mounting form/operator module 026V4

Dimensions (mm)

Product lines	A1	A2	B	B1	B2	C	C1	C2	H
B200-A	45	52,5	50	69	88	38	45	18,5	72
B200-D	45	105	100	119	138	40	51,5	25,5	72

Base Mounting Switches

sälzer

**Product line
B200-A**

Base mounting switch

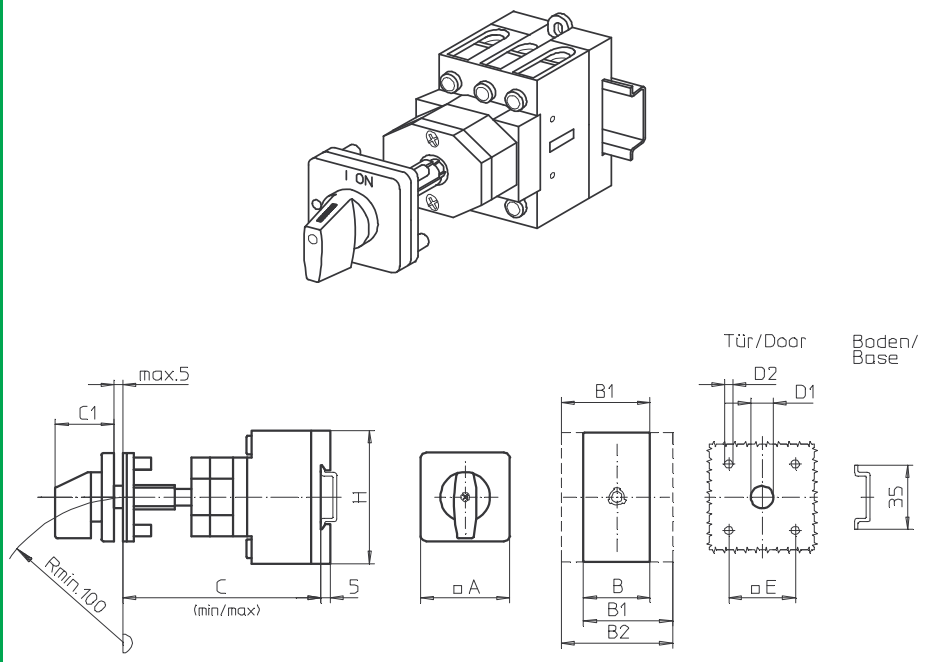
Door clutch

Modular shaft extension

Four hole mounting

36 x 36 mm front

241M1 (IP66)



Complete switch	Poles	Product lines	Rated data (IEC 60947)			Order code number
			Operational current I _e	Operational power at 380–440 V		
			AC-21A A	AC-23A kW	AC-3 kW	
ON-OFF Switches Switching angle 90°	3 ... 4	B200-A	50 63	18,5 22	15 18,5	B250 - 41 ... - 241M1 B263 - 41 ... - 241M1

SMD modules for basic switch A02

Mounting form module for 241M1

B200-A

BFC2 - 241

M-Operator module 48 x 48 mm, mounting form 241M1
Escutcheon black, handle black

2AM1

Legend plate silver, operator module 241M1

FAS2 - 9... (FA number)

Dimensions (mm)

Product lines	A	B	B1	B2	C _{min}	C _{max}	C1	D1	D2	E	H
B200-A	48	50	69	88	92	109	32	12	4,5	36	72

Modular shaft extensions, see page B2-11.

Base Mounting Switches

sälzer

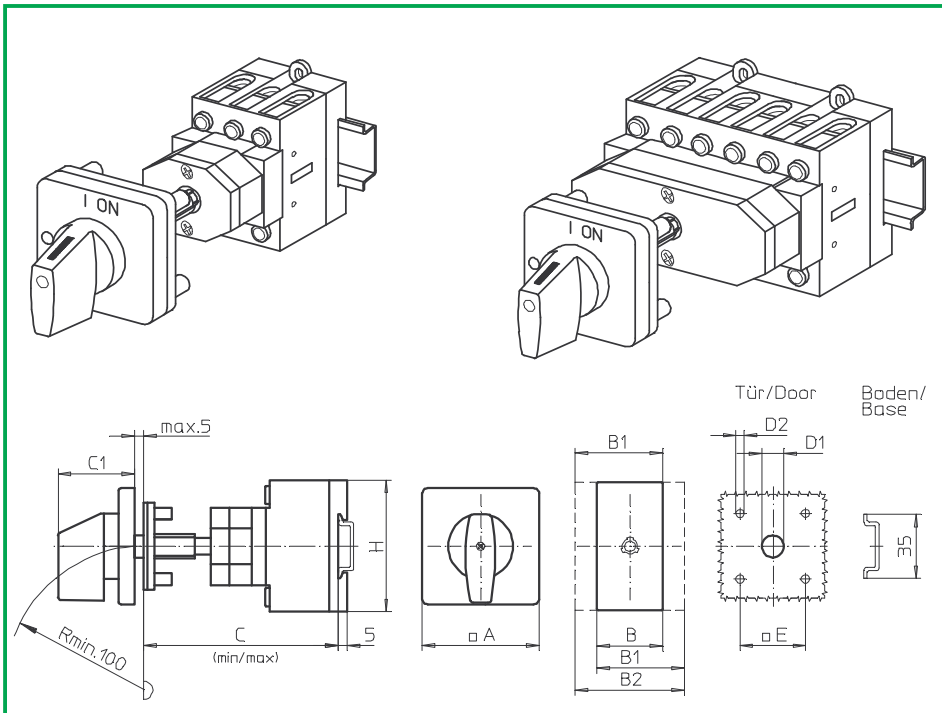
Product lines
B200-A/ -D/ -E

Base mounting switch
Operator module of next size

Door clutch
Modular shaft extension

Four hole mounting
48 x 48 mm front

247M1 (IP66)



Complete switch	Poles	Product lines	Rated data (IEC 60947)			Order code number
			Operational current I _e	Operational power at 380–440 V		
			AC-21A A	AC-23A kW	AC-3 kW	
ON-OFF Switches Switching angle 90°	3 ... 8	B200-A/ -D	50 63	18,5 22	15 18,5	B250 - 41 ... - 247M1 B263 - 41 ... - 247M1
Changeover with OFF Switching angle 90°	3 ... 4	B200-E	50 63	18,5 22	15 18,5	B250 - 71 ... - 247M1 B263 - 71 ... - 247M1

SMD modules for basic switch A02		
Mounting form module for 247M1	B200-A/ -D B200-E	BFB2 - 247 BFD2 - 247
M-Operator module 64 x 64 mm, mounting form 247M1 Escutcheon black, handle black	B200-A/ -D/ -E	4AM1
Legend plate silver, operator module 247M1		FAS4 - 9... (FA number)

Dimensions (mm)											
Product lines	A	B	B1	B2	C _{min}	C _{max}	C1	D1	D2	E	H
B200-A	64	50	69	88	92	109	39	15	5	48	72
B200-D	64	100	119	138	104	121	39	15	5	48	72
B200-E	64	100	119	138	104	121	39	15	5	48	72

Modular shaft extensions, see page B2-11.

Base Mounting Switches

sälzer

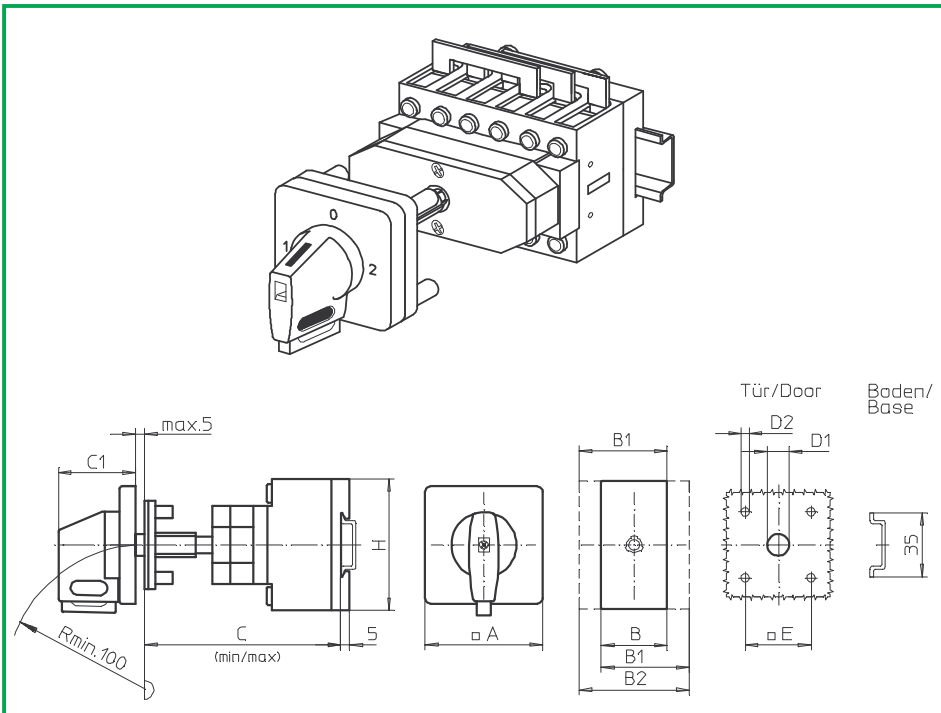
Product line
B200-E

Base mounting switch
Operator module of next size

Door clutch
Modular shaft extension

Four hole mounting
48 x 48 mm front

247V1 (IP66)
246V1 (IP66)



Complete switch	Poles	Product lines	Rated data (IEC 60947)			Order code number
			Operational current I _e	Operational power at 380–440 V		
			AC-21A A	AC-23A kW	AC-3 kW	
Changeover with OFF Switching angle 90° OFF position padlockable 12h	3 ... 4	B200-E	50 63	18,5 22	15 18,5	B250 - 71 ... - 247V1 B263 - 71 ... - 247V1
Changeover with OFF Switching angle 90° 3 positions padlockable (09h/12h/03h)	3 ... 4	B200-E	50 63	18,5 22	15 18,5	B250 - 71 ... - 246V1 B263 - 71 ... - 246V1

SMD modules for basic switch A02

Mounting form module for 247V1/ 246V1

B200-E

BFD2 - 247

V-operator module 64 x 64 mm, mounting form 247V1
Escutcheon black, handle black

4AV1 - 12

V-operator module 64 x 64 mm, mounting form 246V1
Escutcheon black, handle black

4AV1 - 99

Legend plate silver, operator modules 247V1/ 246V1

FAS4 - 9... (FA number)

Dimensions (mm)

Product lines	A	B	B1	B2	C _{min}	C _{max}	C1	D1	D2	E	H
B200-E	64	100	119	138	104	121	39	15	5	48	72

Modular shaft extensions, see page B2-11.

Base Mounting Switches

sälzer

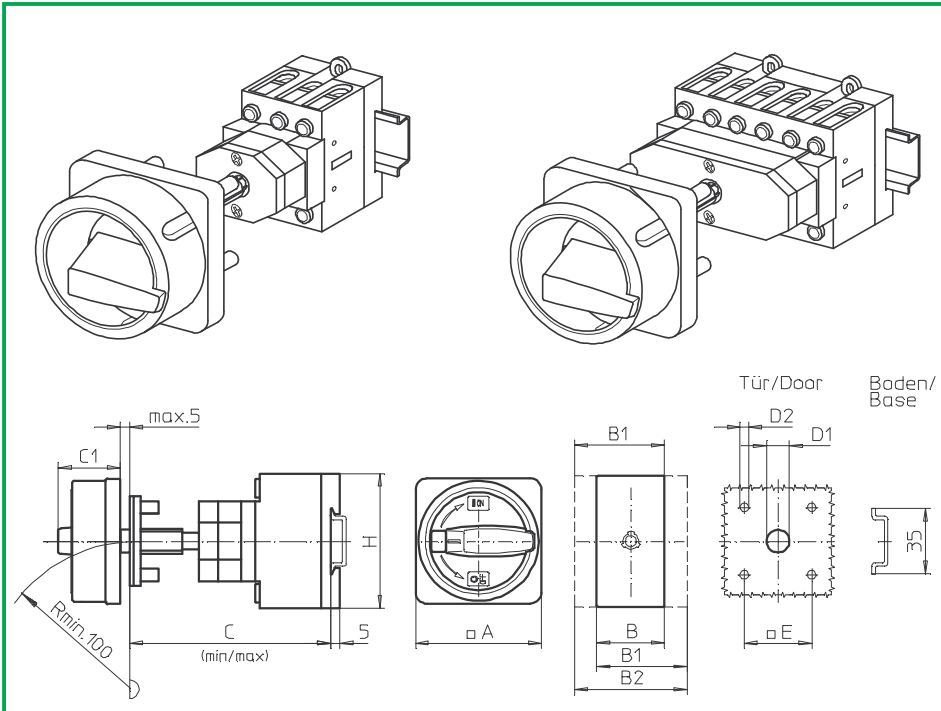
Product lines
B200-A/ -D

Base mounting switch

Door clutch
Modular shaft extension

Four hole mounting
36 x 36 mm front

232M1 (IP66)
232M4 (IP66)



Complete switch	Poles	Product lines	Rated data (IEC 60947)			Order code number
			Operational current I _e	Operational power at 380–440 V		
			AC-21A A	AC-23A kW	AC-3 kW	
Main Switches OFF position padlockable 09h	3 ... 8	B200-A/ -D	50 63	18,5 22	15 18,5	B250 - 41 ... - 232M1 B263 - 41 ... - 232M1
Main/Emergency-Off Switches OFF position padlockable 09h	3 ... 8	B200-A/ -D	50 63	18,5 22	15 18,5	B250 - 41 ... - 232M4 B263 - 41 ... - 232M4

SMD modules for basic switch A02

Mounting form module for 232M.

B200-A/ -D

BFB2 - 232

M-padlock device 67 x 67 mm, mounting form 232M1
Escutcheon black, padlockable handle black

2CM1

M-padlock device 67 x 67 mm, mounting form 232M4
Escutcheon yellow, padlockable handle red

2CM4

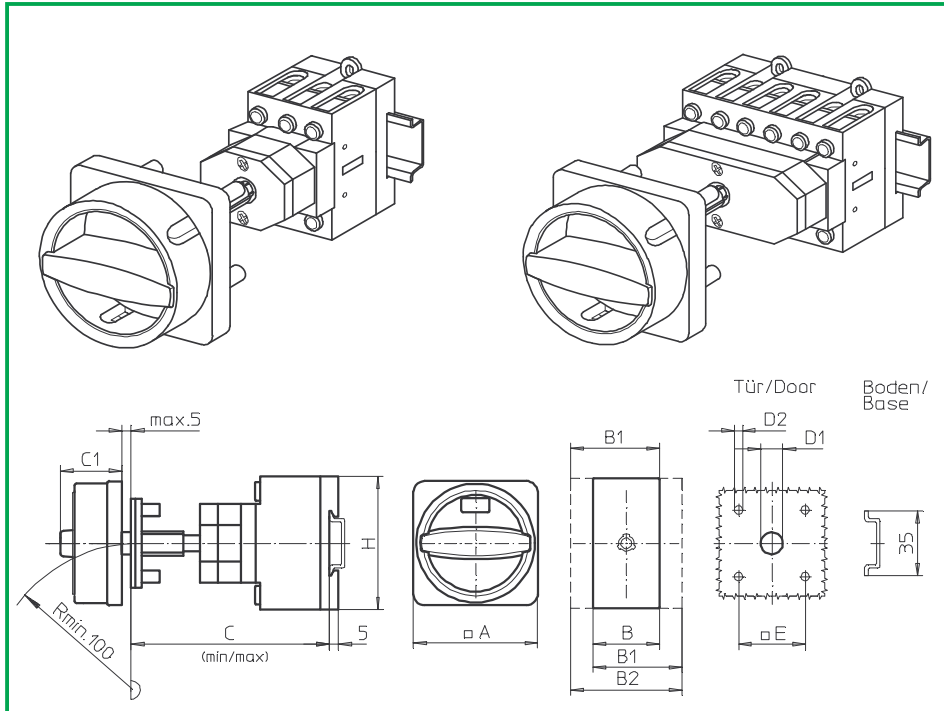
Dimensions (mm)

Product lines	A	B	B1	B2	C _{min}	C _{max}	C1	D1	D2	E	H
B200-A	67	50	69	88	92	109	38	15	4,5	36	72
B200-D	67	100	119	138	104	121	38	15	4,5	36	72

Modular shaft extensions, see page B2-11.

Base Mounting Switches

sälzer



Product lines
B200-A/ -D

Base mounting switch

Door clutch

Modular shaft extension

Four hole mounting

36 x 36 mm front

232N1 (IP66)

232N4 (IP66)

Complete switch	Poles	Product lines	Rated data (IEC 60947)			Order code number
			Operational current I _e	Operational power at 380–440 V		
			AC-21A A	AC-23A kW	AC-3 kW	
Main Switches OFF position padlockable 09h	3 ... 8	B200-A/ -D	50 63	18,5 22	15 18,5	B250 - 41 ... - 232N1 B263 - 41 ... - 232N1
Main/Emergency-Off Switches OFF position padlockable 09h	3 ... 8	B200-A/ -D	50 63	18,5 22	15 18,5	B250 - 41 ... - 232N4 B263 - 41 ... - 232N4

SMD modules for basic switch A02

Mounting form module for 232N.

B200-A/ -D

BFB2 - 232

N-padlock device 67 x 67 mm, mounting form 232N1
Escutcheon black, padlockable handle black

2CN1

N-padlock device 67 x 67 mm, mounting form 232N4
Escutcheon yellow, padlockable handle red

2CN4

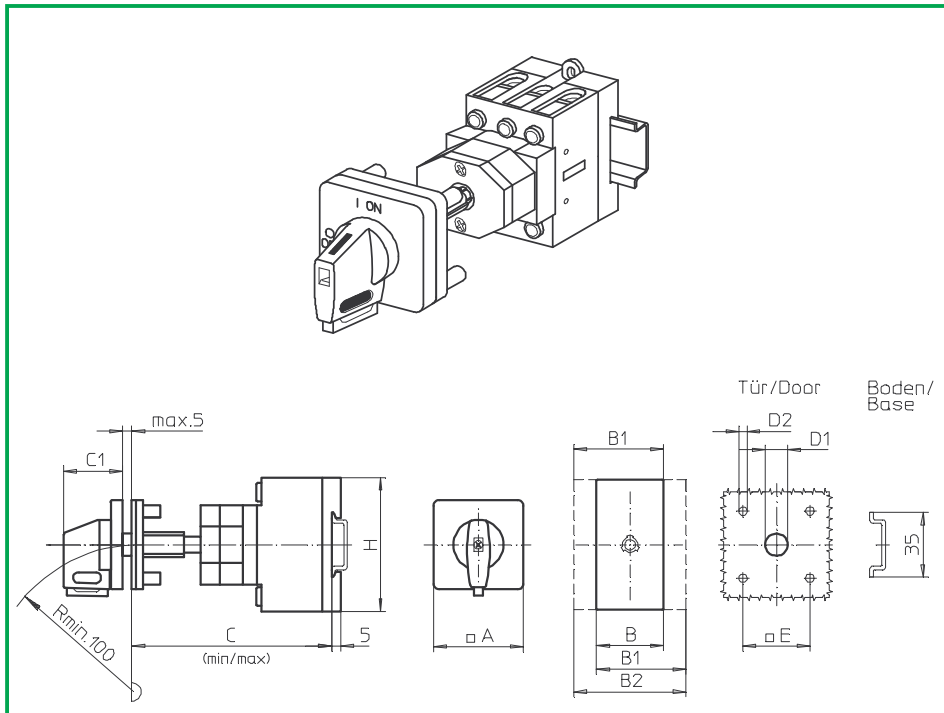
Dimensions (mm)

Product lines	A	B	B1	B2	C _{min}	C _{max}	C1	D1	D2	E	H
B200-A	67	50	69	88	92	109	33	15	4,5	36	72
B200-D	67	100	119	138	104	121	33	15	4,5	36	72

Modular shaft extensions, see page B2-11.

Base Mounting Switches

sälzer



Product lines
B200-A

Base mounting switch

Door clutch

Modular shaft extension

Four hole mounting

36 x 36 mm front

232V1 (IP66)

232V4 (IP66)

Complete switch	Poles	Product lines	Rated data (IEC 60947)			Order code number
			Operational current I _e	Operational power at 380–440 V		
			AC-21A A	AC-23A kW	AC-3 kW	
Main Switches OFF position padlockable 09h	3 ... 4	B200-A	50 63	18,5 22	15 18,5	B250 - 41 ... - 232V1 B263 - 41 ... - 232V1
Main/Emergency-Off Switches OFF position padlockable 09h	3 ... 4	B200-A	50 63	18,5 22	15 18,5	B250 - 41 ... - 232V4 B263 - 41 ... - 232V4

SMD modules for basic switch A02

Mounting form module for 232V.

B200-A

BFC2 - 241

V-operator module 48 x 48 mm, mounting form 232V1
Escutcheon black, handle black

2AV1 - 09

Legend plate silver, operator module 232V1

FAS2 - 9078

V-operator module 48 x 48 mm, mounting form 232V4
Escutcheon black, handle red

2AV4 - 09

Legend plate yellow, operator module 232V4

FBS2 - 9078

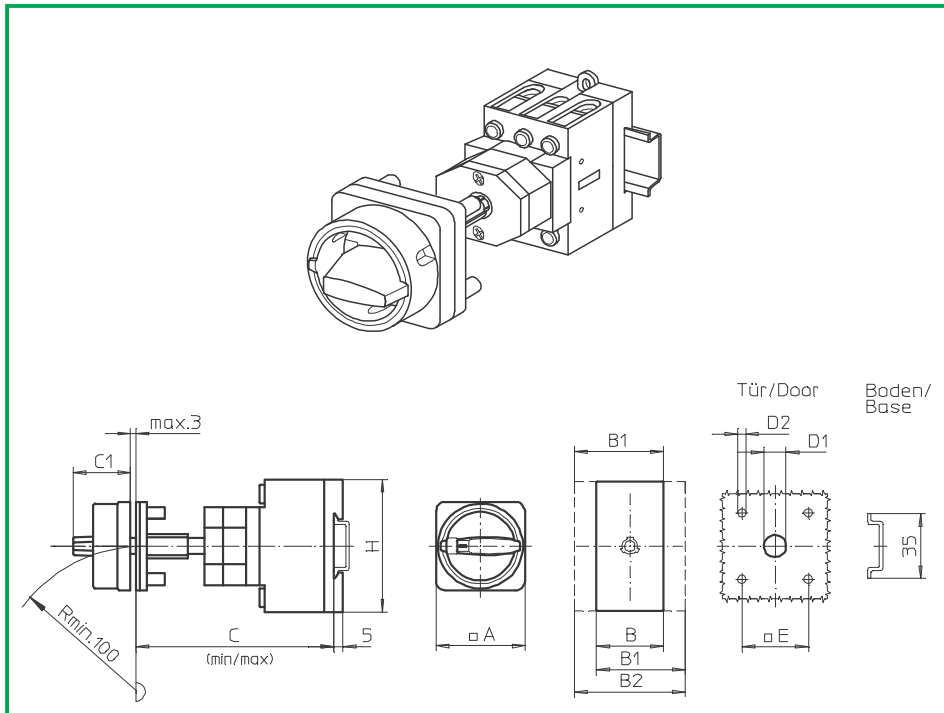
Dimensions (mm)

Product lines	A	B	B1	B2	C _{min}	C _{max}	C1	D1	D2	E	H
B200-A	48	50	69	88	92	109	32	12	4,5	36	72

Modular shaft extensions, see page B2-11.

Base Mounting Switches

sälzer



Product line
B200-A

Base mounting switch

Door clutch

Modular shaft extension

Four hole mounting

36 x 36 mm front

231M1 (IP66)

231M4 (IP66)

Complete switch	Poles	Product lines	Rated data (IEC 60947)			Order code number
			Operational current I _e	Operational power at 380–440 V		
			AC-21A A	AC-23A kW	AC-3 kW	
Main Switches OFF position padlockable 09h	3 ... 4	B200-A	50 63	18,5 22	15 18,5	B250 - 41 ... - 231M1 B263 - 41 ... - 231M1
Main/Emergency-Off Switches OFF position padlockable 09h	3 ... 4	B200-A	50 63	18,5 22	15 18,5	B250 - 41 ... - 231M4 B263 - 41 ... - 231M4

SMD modules for basic switch A02

Mounting form module for 231M.

B200-A

BFC2 - 241

M-padlock device 48 x 48 mm, mounting form 231M1
Escutcheon black, padlockable handle black

2BM1

M-padlock device 48 x 48 mm, mounting form 231M4
Escutcheon yellow, padlockable handle red

2BM4

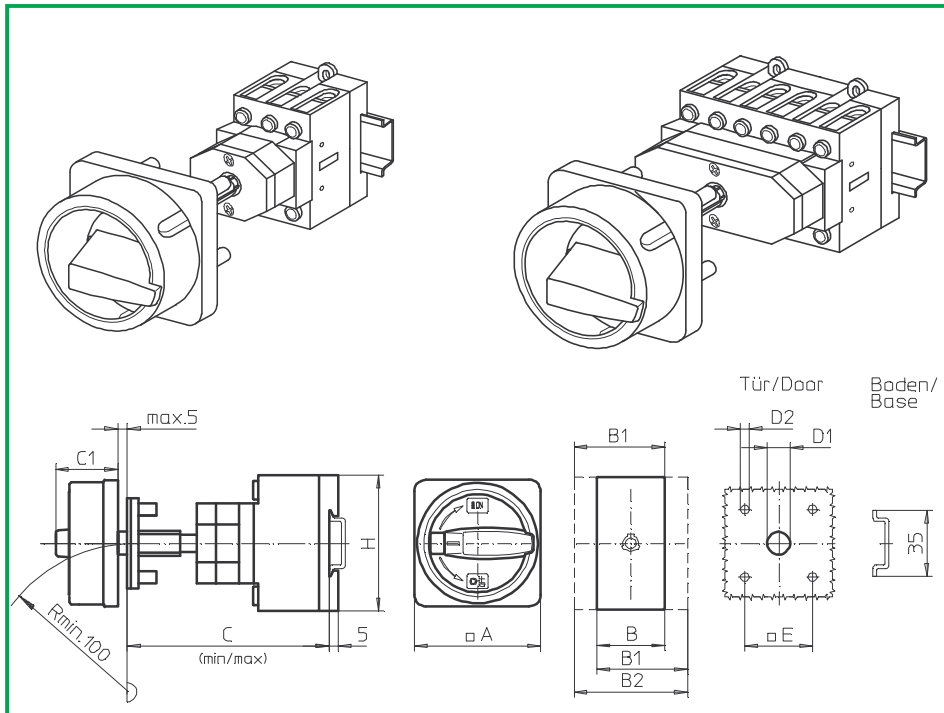
Dimensions (mm)

Product lines	A	B	B1	B2	C _{min}	C _{max}	C1	D1	D2	E	H
B200-A	48	50	69	88	92	109	31	12	4,5	36	72

Modular shaft extensions, see page B2-11.

Base Mounting Switches

sälzer



Product lines
B200-A/ -D

Base mounting switch
Operator module of next size

Door clutch
Modular shaft extension

Four hole mounting
48 x 48 mm front

237M1 (IP66)
237M4 (IP66)

Complete switch	Poles	Product lines	Rated data (IEC 60947)			Order code number
			Operational current I _e	Operational power at 380–440 V		
			AC-21A A	AC-23A kW	AC-3 kW	
Main Switches OFF position padlockable 09h	3 ... 8	B200-A/ -D	50 63	18,5 22	15 18,5	B250 - 41 ... - 237M1 B263 - 41 ... - 237M1
Main/Emergency-Off Switches OFF position padlockable 09h	3 ... 8	B200-A/ -D	50 63	18,5 22	15 18,5	B250 - 41 ... - 237M4 B263 - 41 ... - 237M4

SMD modules for basic switch A02

Mounting form module for 237M.

B200-A/ -D

BFB2 - 237

M-padlock device 67 x 67 mm, mounting form 237M1
Escutcheon black, padlockable handle black

4BM1

M-padlock device 67 x 67 mm, mounting form 237M4
Escutcheon yellow, padlockable handle red

4BM4

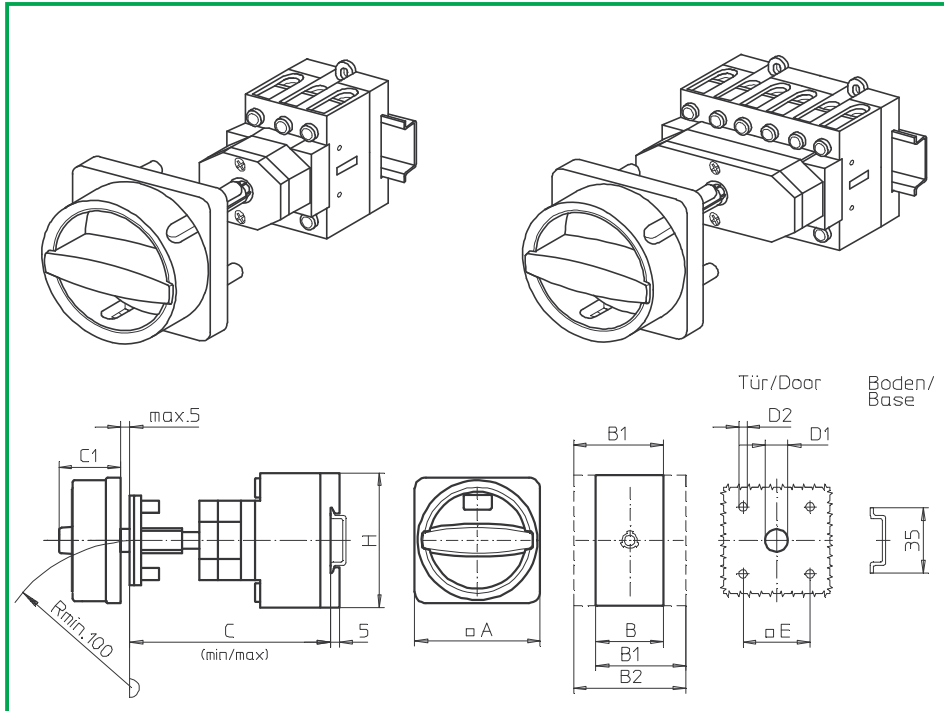
Dimensions (mm)

Product lines	A	B	B1	B2	C _{min}	C _{max}	C1	D1	D2	E	H
B200-A	67	50	69	88	92	109	39	15	5	48	72
B200-D	67	100	119	138	104	121	39	15	5	48	72

Modular shaft extensions, see page B2-11.

Base Mounting Switches

sälzer



Product lines
B200-A/ -D

Base mounting switch
Operator module of next size

Door clutch
Modular shaft extension

Four hole mounting
48 x 48 mm front

237N1 (IP66)
237N4 (IP66)

Complete switch	Poles	Product lines	Rated data (IEC 60947)			Order code number
			Operational current I _e	Operational power at 380–440 V		
			AC-21A A	AC-23A kW	AC-3 kW	
Main Switches OFF position padlockable 09h	3 ... 8	B200-A/ -D	50 63	18,5 22	15 18,5	B250 - 41 ... - 237N1 B263 - 41 ... - 237N1
Main/Emergency-Off Switches OFF position padlockable 09h	3 ... 8	B200-A/ -D	50 63	18,5 22	15 18,5	B250 - 41 ... - 237N4 B263 - 41 ... - 237N4

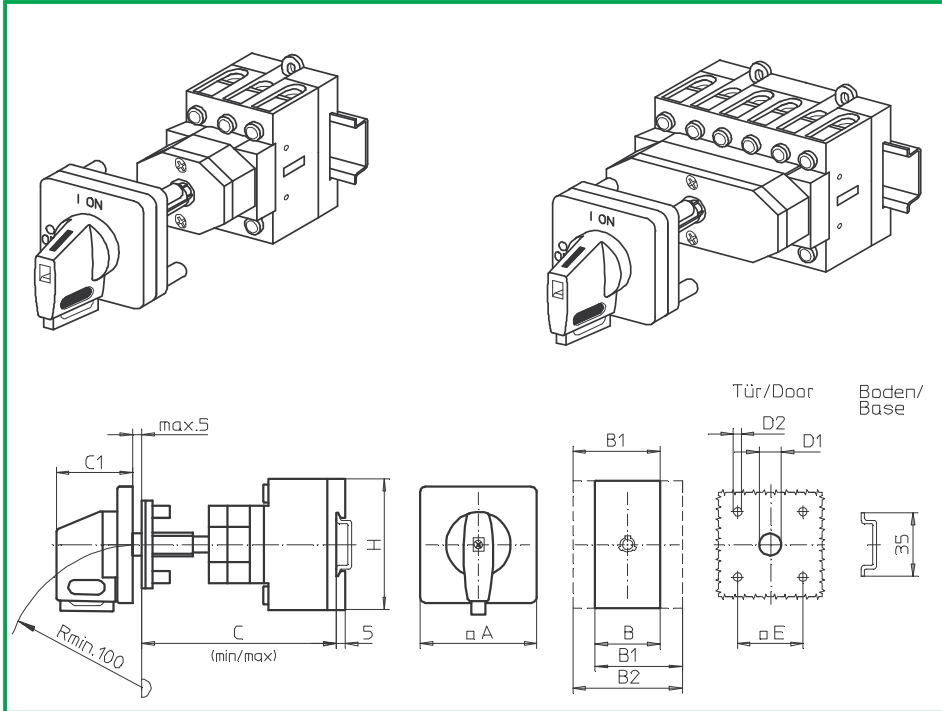
SMD modules for basic switch A02		
Mounting form module for 237M.		B200-A/ -D BFB2 - 237
N-padlock device 67 x 67 mm, mounting form 237N1 Escutcheon black, padlockable handle black		4BN1
N-padlock device 67 x 67 mm, mounting form 237N4 Escutcheon yellow, padlockable handle red		4BN4

Dimensions (mm)											
Product lines	A	B	B1	B2	C _{min}	C _{max}	C1	D1	D2	E	H
B200-A	64	50	69	88	92	109	39	15	5	48	72
B200-D	64	100	119	138	104	121	39	15	5	48	72

Modular shaft extensions, see page B2-11.

Base Mounting Switches

sälzer



Product lines
B200-A/ -D

Base mounting switch
Operator module of next size

Door clutch
Modular shaft extension

Four hole mounting
48 x 48 mm front

237V1 (IP66)
237V4 (IP66)

Complete switch	Poles	Product lines	Rated data (IEC 60947)			Order code number
			Operational current I _e	Operational power at 380–440 V		
			AC-21A A	AC-23A kW	AC-3 kW	
Main Switches OFF position padlockable 09h	3 ... 8	B200-A/ -D	50 63	18,5 22	15 18,5	B250 - 41 ... - 237V1 B263 - 41 ... - 237V1
Main/Emergency-Off Switches OFF position padlockable 09h	3 ... 8	B200-A/ -D	50 63	18,5 22	15 18,5	B250 - 41 ... - 237V4 B263 - 41 ... - 237V4

SMD modules for basic switch A02

Mounting form module for 237V.

B200-A/ -D

BFB2 - 247

V-operator module 64 x 64 mm, mounting form 237V1
Escutcheon black, handle black

4AV1 - 09

Legend plate silver, operator module 237V1

FAS4 - 9078

V-operator module 64 x 64 mm, mounting form 237V4
Escutcheon black, handle red

4AV4 - 09

Legend plate yellow, operator module 237V4

FBS4 - 9078

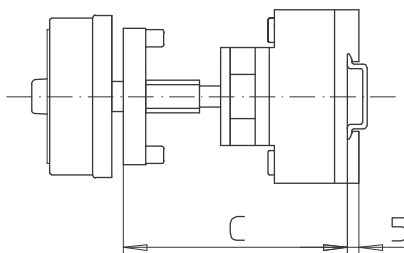
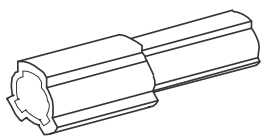
Dimensions (mm)

Product lines	A	B	B1	B2	C _{min}	C _{max}	C1	D1	D2	E	H
B200-A	64	50	69	88	92	109	39	15	5	48	72
B200-D	64	100	119	138	104	121	39	15	5	48	72

Modular shaft extensions, see page B2-11.

Modular shaft extension

sälzer



Product lines
B200-A/ -D/ -E

Base mounting switch

Door clutch
Modular shaft extension

Four hole mounting
Front

AVD2

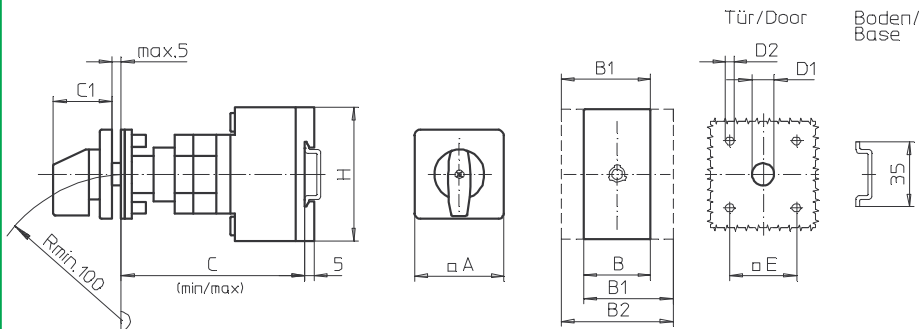
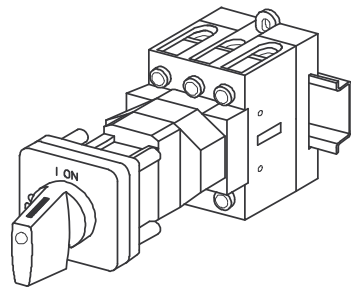
Modular shaft extensions for use with door clutch

Dimension C (internal depth, inside of door to top of DIN rail)

Dimension	B200-A	B200-D/ -E	No.	Order code number
0	092 . . . 109 mm	104 . . . 121 mm	-	-
1	110 . . . 134 mm	122 . . . 146 mm	1	AVD2
2	135 . . . 159 mm	147 . . . 171 mm	2	AVD2
3	160 . . . 184 mm	172 . . . 196 mm	3	AVD2
4	185 . . . 209 mm	197 . . . 221 mm	4	AVD2

Base Mounting Switches

sälzer



Product line
B200-A

Base mounting switch

Door interlock
Modular shaft extension

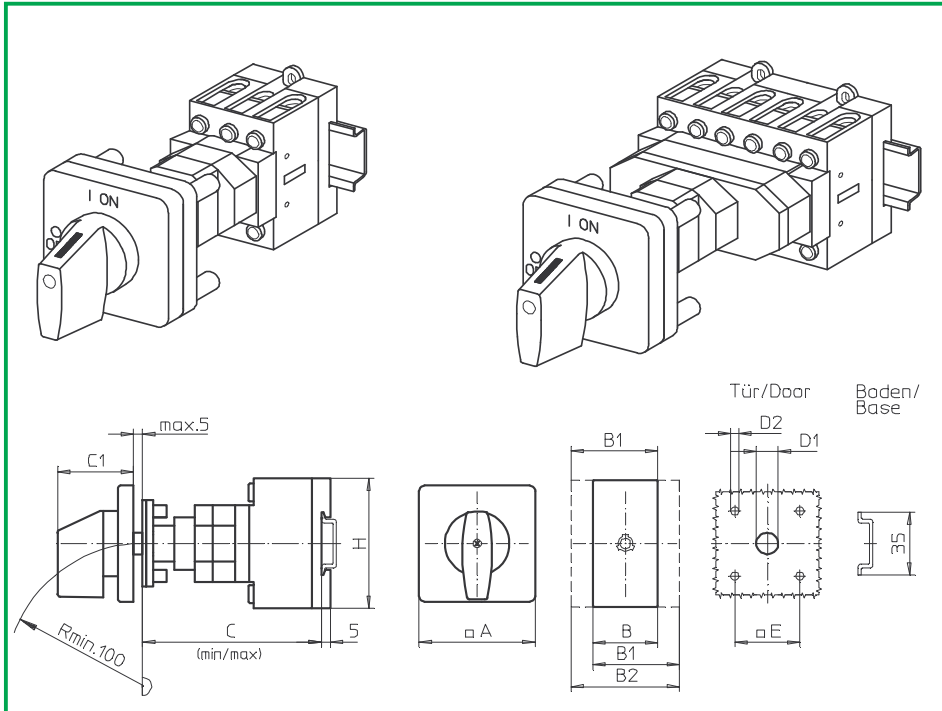
Four hole mounting
36 x 36 mm front

242M1 (IP66)

Complete switch	Poles	Product lines	Rated data (IEC 60947)			Order code number						
			Operational current I _e	Operational power at 380–440 V								
			AC-21A A	AC-23A kW	AC-3 kW							
ON-OFF Switches Switching angle 90°	3 ... 4	B200-A	50 63	18,5 22	15 18,5	B250 - 41 ... - 242M1 B263 - 41 ... - 242M1						
SMD modules for basic switch A02												
Mounting form module for 242M1				B200-A		BFC2 - 242						
M-operator module 48 x 48 mm, mounting form 242M1 Escutcheon black, handle black						2AM1						
Legend plate silver, operator module 242M1						FAS2 - 9... (FA number)						
Dimensions (mm)												
Product lines	A	B	B1	B2	C_{min}	C_{max}	C1	D1	D2	E	H	
B200-A	48	50	69	88	92	107	32	12	4,5	36	72	
Modular shaft extensions, see page B3-11.												

Base Mounting Switches

sälzer



Product lines
B200-A/ -D/ -E

Base mounting switch
 Operator module of next size

Door interlock
 Modular shaft extension

Four hole mounting
 48 x 48 mm front

248M1 (IP66)

Complete switch	Poles	Product lines	Rated data (IEC 60947)			Order code number
			Operational current I _e	Operational power at 380–440 V		
			AC-21A A	AC-23A kW	AC-3 kW	
ON-OFF Switches Switching angle 90°	3 ... 8	B200-A/ -D	50 63	18,5 22	15 18,5	B250 - 41 ... - 248M1 B263 - 41 ... - 248M1
Changeover with OFF Switching angle 90°	3 ... 4	B200-E	50 63	18,5 22	15 18,5	B250 - 71 ... - 248M1 B263 - 71 ... - 248M1

SMD modules for basic switch A02

Mounting form module for 248M1

B200-A/ -D
 B200-E

BFB2 - 248
BFC2 - 248

M-operator module 64 x 64 mm, mounting form 248M1
 Escutcheon black, handle black

B200-A/ -D/ -E

4AM1

Legend plate silver, operator module 248M1

FAS4 - 9... (FA number)

Dimensions (mm)

Product lines	A	B	B1	B2	C _{min}	C _{max}	C1	D1	D2	E	H
B200-A	64	50	69	88	92	107	39	15	5	48	72
B200-D	64	100	119	138	104	119	39	15	5	48	72
B200-E	64	100	119	138	104	119	39	15	5	48	72

Modular shaft extensions, see page B3-11.

Base Mounting Switches

sälzer

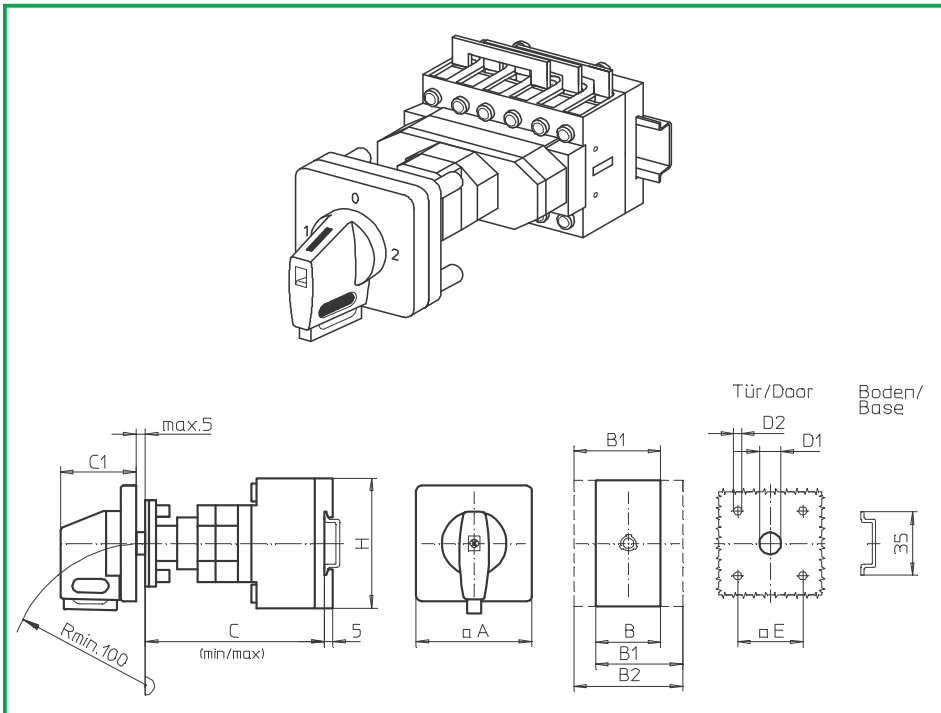
Product line
B200-E

Base mounting switch
Operator module of next size

Door interlock
Modular shaft extension

Four hole mounting
48 x 48 mm front

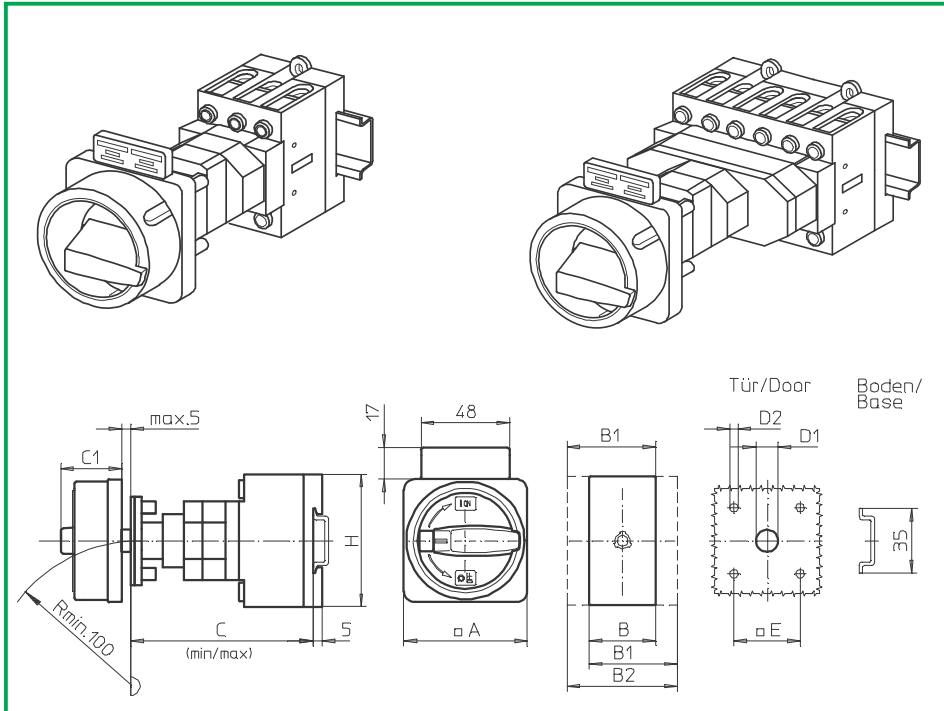
248V1 (IP66)
249V1 (IP66)



Complete switch	Poles	Product lines	Rated data (IEC 60947)			Order code number						
			Operational current I _e	Operational power at 380–440 V								
			AC-21A A	AC-23A kW	AC-3 kW							
Changeover with OFF Switching angle 90° OFF position padlockable 12h	3 ... 4	B200-E	50 63	18,5 22	15 18,5	B250 - 71 ... - 248V1 B263 - 71 ... - 248V1						
Changeover with OFF Switching angle 90° 3 positions padlockable (09h/12h/03h)	3 ... 4	B200-E	50 63	18,5 22	15 18,5	B250 - 71 ... - 249V1 B263 - 71 ... - 249V1						
SMD modules for basic switch A02												
Mounting form module for 248V1/ 249V1				B200-E		BFC2 - 248						
V-operator module 64 x 64 mm, mounting form 248V1 Escutcheon black, handle black						4AV1 - 12						
V-operator module 64 x 64 mm, mounting form 249V1 Escutcheon black, handle black						4AV1 - 99						
Legend plate silver, operator modules 248V1/ 249V1						FAS4 - 9... (FA number)						
Dimensions (mm)												
Product lines	A	B	B1	B2	C_{min}	C_{max}	C1	D1	D2	E	H	
B200-E	64	100	119	138	104	119	39	15	5	48	72	
Modular shaft extensions, see page B3-11.												

Base Mounting Switches

sälzer



Product lines
B200-A/ -D

Base mounting switch

Door interlock

Modular shaft extension

Four hole mounting

36 x 36 mm front

234M1 (IP66)

234M4 (IP66)

Complete switch	Poles	Product lines	Rated data (IEC 60947)			Order code number
			Operational current I _e	Operational power at 380–440 V		
			AC-21A A	AC-23A kW	AC-3 kW	
Main Switches OFF position padlockable 09h	3 ... 8	B200-A/ -D	50 63	18,5 22	15 18,5	B250 - 41 ... - 234M1 B263 - 41 ... - 234M1
Main/Emergency-Off Switches OFF position padlockable 09h	3 ... 8	B200-A/ -D	50 63	18,5 22	15 18,5	B250 - 41 ... - 234M4 B263 - 41 ... - 234M4

SMD modules for basic switch A02

Mounting form module for 234M.

B200-A/ -D

BFB2 - 234

M-padlock device 67 x 67 mm, mounting form 234M1
Escutcheon black, padlockable handle black

2CM1

M-padlock device 67 x 67 mm, mounting form 234M4
Escutcheon yellow, padlockable handle red

2CM4

Additional top escutcheon plate

FAZ2 - 8041

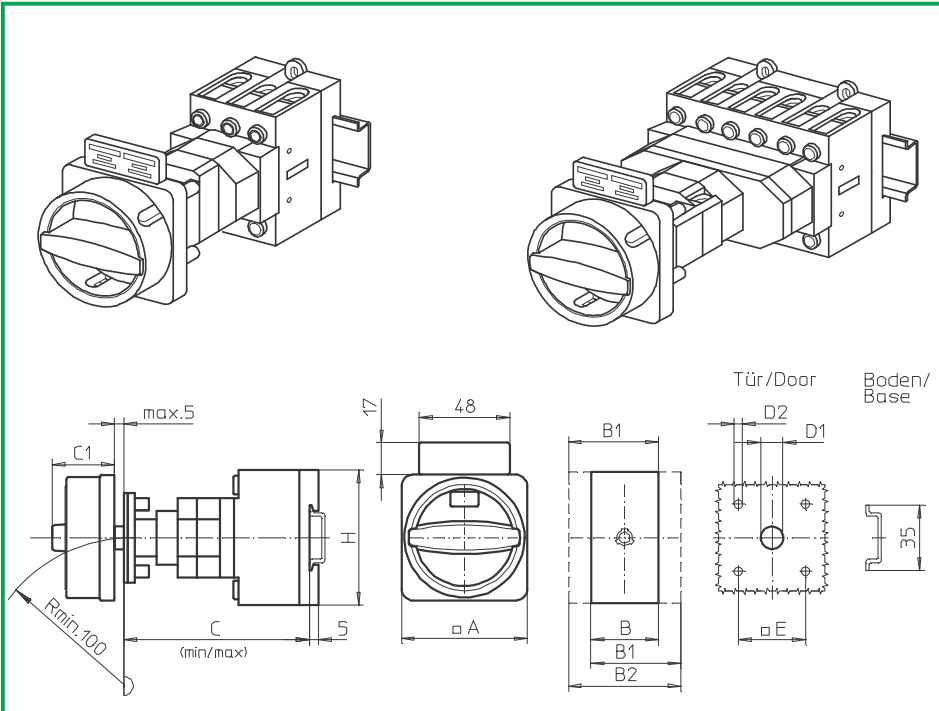
Dimensions (mm)

Product lines	A	B	B1	B2	C _{min}	C _{max}	C1	D1	D2	E	H
B200-A	67	50	69	88	92	107	38	15	4,5	36	72
B200-D	67	100	119	138	104	119	38	15	4,5	36	72

Modular shaft extensions, see page B3-11.

Base Mounting Switches

sälzer



Product lines
B200-A/ -D

Base mounting switch

Door interlock

Modular shaft extension

Four hole mounting

36 x 36 mm front

234N1 (IP66)

234N4 (IP66)

Complete switch	Poles	Product lines	Rated data (IEC 60947)			Order code number
			Operational current I _e	Operational power at 380–440 V		
			AC-21A A	AC-23A kW	AC-3 kW	
Main Switches OFF position padlockable 09h	3 ... 8	B200-A/ -D	50 63	18,5 22	15 18,5	B250 - 41 ... - 234N1 B263 - 41 ... - 234N1
Main/Emergency-Off Switches OFF position padlockable 09h	3 ... 8	B200-A/ -D	50 63	18,5 22	15 18,5	B250 - 41 ... - 234N4 B263 - 41 ... - 234N4

SMD modules for basic switch A02

Mounting form module for 234N.

B200-A/ -D

BFB2 - 234

N-padlock device 67 x 67 mm, mounting form 234N1
Escutcheon black, padlockable handle black

2CN1

N-padlock device 67 x 67 mm, mounting form 234N4
Escutcheon yellow, padlockable handle red

2CN4

Additional top escutcheon plate

FAZ2 - 8041

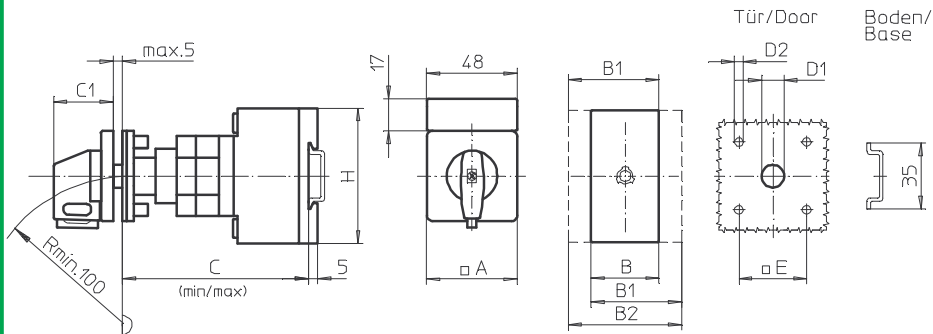
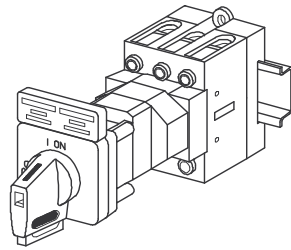
Dimensions (mm)

Product lines	A	B	B1	B2	C _{min}	C _{max}	C1	D1	D2	E	H
B200-A	67	50	69	88	92	107	33	15	4,5	36	72
B200-D	67	100	119	138	104	119	33	15	4,5	36	72

Modular shaft extensions, see page B3-11.

Base Mounting Switches

sälzer



Product lines
B200-A

Base mounting switch

Door interlock

Modular shaft extension

Four hole mounting

36 x 36 mm front

234V1 (IP66)

234V4 (IP66)

Complete switch	Poles	Product lines	Rated data (IEC 60947)			Order code number
			Operational current I _e	Operational power at 380–440 V		
			AC-21A A	AC-23A kW	AC-3 kW	
Main Switches OFF position padlockable 09h	3 ... 4	B200-A	50 63	18,5 22	15 18,5	B250 - 41 ... - 234V1 B263 - 41 ... - 234V1
Main/Emergency-Off Switches OFF position padlockable 09h	3 ... 4	B200-A	50 63	18,5 22	15 18,5	B250 - 41 ... - 234V4 B263 - 41 ... - 234V4

SMD modules for basic switch A02

Mounting form module for 234V.

B200-A

BFC2 - 242

V-operator module 48 x 48 mm, mounting form 234V1
Escutcheon black, handle black
Legend plate silver, operator module 234V1

2AV1 - 09

FAS2 - 9078

V-operator module 48 x 48 mm, mounting form 234V4
Escutcheon black, handle red
Legend plate yellow, operator module 234V4
Additional top escutcheon plate

2AV4 - 09

FBS2 - 9078

FAZ2 - 8041

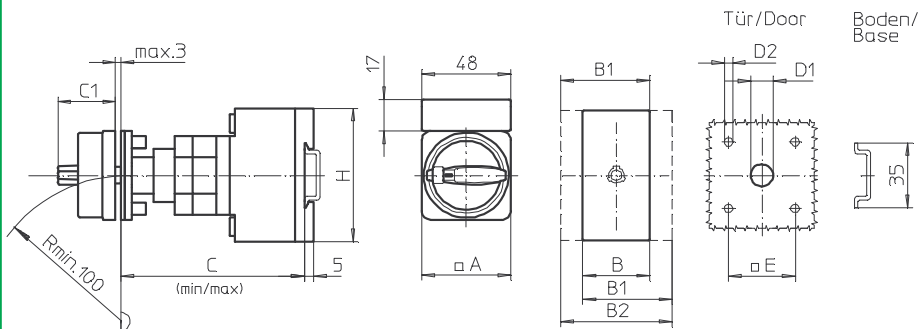
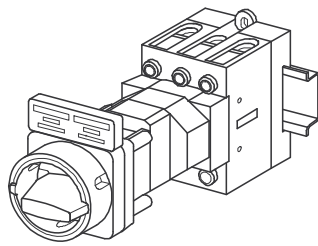
Dimensions (mm)

Product lines	A	B	B1	B2	C _{min}	C _{max}	C1	D1	D2	E	H
B200-A	48	50	69	88	92	107	32	12	4,5	36	72

Modular shaft extensions, see page B3-11.

Base Mounting Switches

sälzer



Product line
B200-A

Base mounting switch

Door interlock

Modular shaft extension

Four hole mounting

36 x 36 mm front

235M1 (IP66)

235M4 (IP66)

Complete switch	Poles	Product lines	Rated data (IEC 60947)			Order code number
			Operational current I _e	Operational power at 380–440 V		
			AC-21A A	AC-23A kW	AC-3 kW	
Main Switches OFF position padlockable 09h	3 ... 4	B200-A	50 63	18,5 22	15 18,5	B250 - 41 ... - 235M1 B263 - 41 ... - 235M1
Main/Emergency-Off Switches OFF position padlockable 09h	3 ... 4	B200-A	50 63	18,5 22	15 18,5	B250 - 41 ... - 235M4 B263 - 41 ... - 235M4

SMD modules for basic switch A02

Mounting form module for 235M.

B200-A

BFC2 - 242

M-padlock device 48 x 48 mm, mounting form 235M1
Escutcheon black, padlockable handle black

2BM1

M-padlock device 48 x 48 mm, mounting form 235M4
Escutcheon yellow, padlockable handle red

2BM4

Additional top escutcheon plate

FAZ2 - 8041

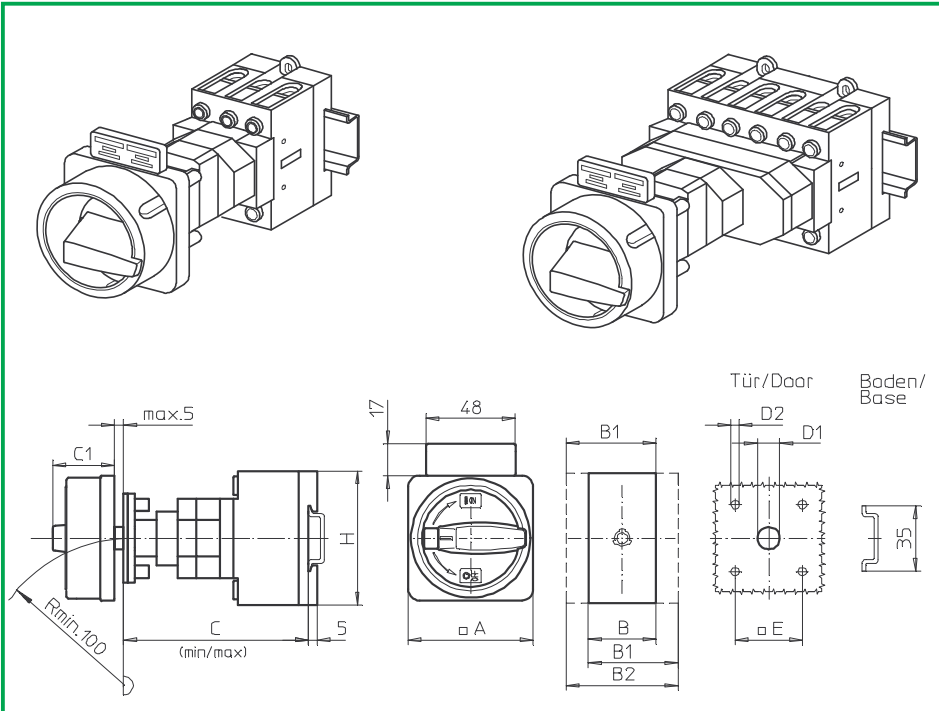
Dimensions (mm)

Product lines	A	B	B1	B2	C _{min}	C _{max}	C1	D1	D2	E	H
B200-A	48	50	69	88	92	107	31	12	4,5	36	72

Modular shaft extensions, see page B3-11.

Base Mounting Switches

sälzer



**Product line
B200-A/-D**

Base mounting switch
Operator module of next size

Door interlock
Modular shaft extension

Four hole mounting
48 x 48 mm front

238M1 (IP66)
238M4 (IP66)

Complete switch	Poles	Product lines	Rated data (IEC 60947)			Order code number
			Operational current I _e	Operational power at 380–440 V		
			AC-21A A	AC-23A kW	AC-3 kW	
Main Switches OFF position padlockable 09h	3 ... 8	B200-A/-D	50 63	18,5 22	15 18,5	B250 - 41 ... - 238M1 B263 - 41 ... - 238M1
Main/Emergency-Off Switches OFF position padlockable 09h	3 ... 8	B200-A/-D	50 63	18,5 22	15 18,5	B250 - 41 ... - 238M4 B263 - 41 ... - 238M4

SMD modules for basic switch A02

Mounting form module for 238M.

B200-A/-D

BFB2 - 238

M-padlock device 67 x 67 mm, mounting form 238M1
Escutcheon black, padlockable handle black

4BM1

M-padlock device 67 x 67 mm, mounting form 238M4
Escutcheon yellow, padlockable handle red

4BM4

Additional top escutcheon plate

FAZ2 - 8041

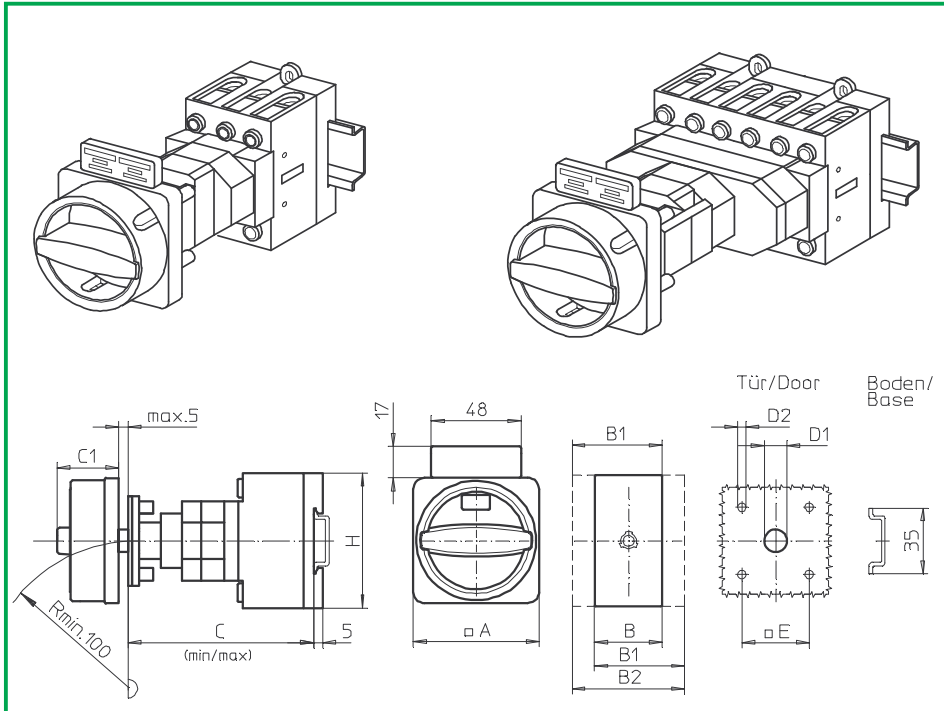
Dimensions (mm)

Product lines	A	B	B1	B2	C _{min}	C _{max}	C1	D1	D2	E	H
B200-A	67	50	69	88	92	107	38	15	5	48	72
B200-D	67	100	119	138	104	119	38	15	5	48	72

Modular shaft extensions, see page B3-11.

Base Mounting Switches

sälzer



Product lines
B200-A/ -D

Base mounting switch
Operator module of next size

Door interlock
Modular shaft extension

Four hole mounting
48 x 48 mm front

238N1 (IP66)
238N4 (IP66)

Complete switch	Poles	Product lines	Rated data (IEC 60947)			Order code number
			Operational current I _e	Operational power at 380–440 V		
			AC-21A A	AC-23A kW	AC-3 kW	
Main Switches OFF position padlockable 09h	3 ... 8	B200-A/ -D	50 63	18,5 22	15 18,5	B250 - 41 ... - 238N1 B263 - 41 ... - 238N1
Main/Emergency-Off Switches OFF position padlockable 09h	3 ... 8	B200-A/ -D	50 63	18,5 22	15 18,5	B250 - 41 ... - 238N4 B263 - 41 ... - 238N4

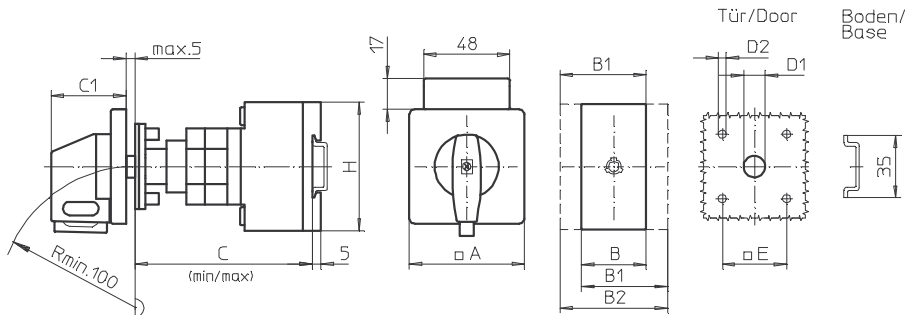
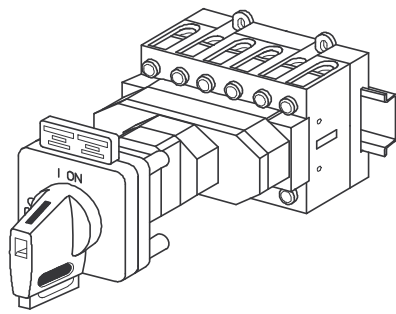
SMD modules for basic switch A02			
Mounting form module for 238M.		B200-A	BFB2 - 238
N-padlock device 67 x 67 mm, mounting form 238N1 Escutcheon black, padlockable handle black			4BN1
N-padlock device 67 x 67 mm, mounting form 238N4 Escutcheon yellow, padlockable handle red			4BN4
Additional top escutcheon plate			FAZ2 - 8041

Dimensions (mm)											
Product lines	A	B	B1	B2	C _{min}	C _{max}	C1	D1	D2	E	H
B200-A	67	50	69	88	92	107	33	15	5	48	72
B200-D	67	100	119	138	104	119	33	15	5	48	72

Modular shaft extensions, see page B3-11.

Base Mounting Switches

sälzer



Product lines
B200-A/ -D

Base mounting switch
Operator module of next size

Door interlock
Modular shaft extension

Four hole mounting
48 x 48 mm front

238V1 (IP66)
238V4 (IP66)

Complete switch	Poles	Product lines	Rated data (IEC 60947)			Order code number
			Operational current I _e	Operational power at 380–440 V		
			AC-21A A	AC-23A kW	AC-3 kW	
Main Switches OFF position padlockable 09h	3 ... 8	B200-A/ -D	50 63	18,5 22	15 18,5	B250 - 41 ... - 238V1 B263 - 41 ... - 238V1
Main/Emergency-Off Switches OFF position padlockable 09h	3 ... 8	B200-A/ -D	50 63	18,5 22	15 18,5	B250 - 41 ... - 238V4 B263 - 41 ... - 238V4

SMD modules for basic switch A02

Mounting form module for 238V.

B200-A/ -D

BFB2 - 248

V-operator module 64 x 64 mm, mounting form 238V1
Escutcheon black, handle black
Legend plate silver, operator module 238V1

4AV1 - 09

FAS4 - 9078

V-operator module 64 x 64 mm, mounting form 238V4
Escutcheon black, handle red
Legend plate yellow, operator module 238V4
Additional top escutcheon plate

4AV4 - 09

FBS4 - 9078

FAZ2 - 8041

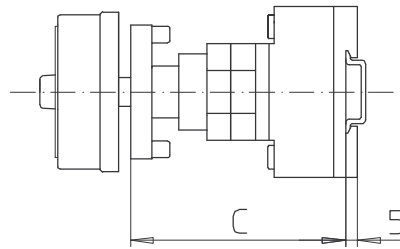
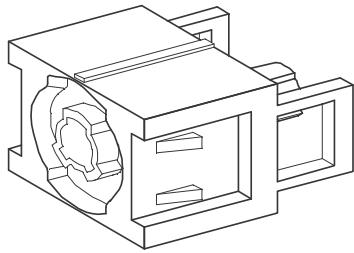
Dimensions (mm)

Product lines	A	B	B1	B2	C _{min}	C _{max}	C1	D1	D2	E	H
B200-A	64	50	69	88	92	107	39	15	5	48	72
B200-D	64	100	119	138	104	119	39	15	5	48	72

Modular shaft extensions, see page B3-11.

Modular shaft extension

sälzer



Product lines
B200-A/ -D/ -E

Base mounting switch

Door interlock
Modular shaft extension

Four hole mounting
Front

AVC2 - .

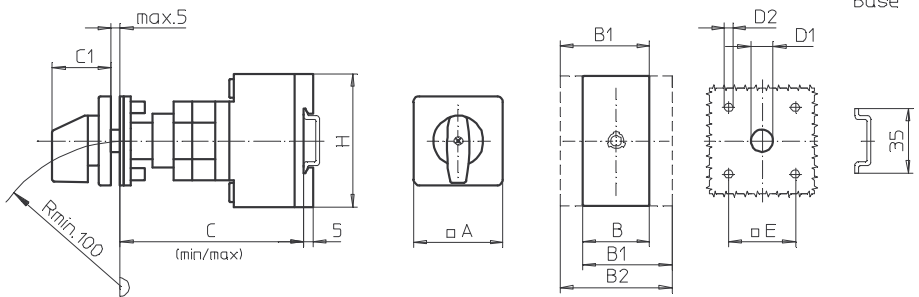
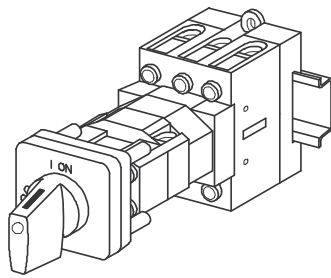
Modular shaft extensions for use with door interlock

Dimension C (internal depth, inside of door to top of DIN rail)

Dimension	B200-A	B200-D/ -E	No.	Order code number
0	092 . . . 107 mm	104 . . . 119 mm	-	-
1	114 . . . 132 mm	126 . . . 144 mm	1	AVC2 - 1
2	139 . . . 157 mm	151 . . . 169 mm	1	AVC2 - 2
3	164 . . . 182 mm	176 . . . 194 mm	1	AVC2 - 3
4	189 . . . 207 mm	201 . . . 219 mm	1	AVC2 - 4

Base Mounting Switches

sälzer



Product line
B200-A

Base mounting switch

Door interlock
Modular shaft extension
N/PE connection link

Four hole mounting

36 x 36 mm front

542M1 (IP66)

Complete switch	Poles	Product lines	Rated data (IEC 60947)			Order code number
			Operational current I _e	Operational power at 380–440 V		
			AC-21A A	AC-23A kW	AC-3 kW	
ON-OFF Switches Switching angle 90°	3 ... 4	B200-A	50 63	18,5 22	15 18,5	B250 - 41 ... - 542M1 B263 - 41 ... - 542M1

SMD modules for basic switch A02

Mounting form module for 542M1	B200-A	BFA2 - 542
M-operator module 48 x 48 mm, mounting form 542M1 Escutcheon black, handle black		2AM1
Legend plate silver, operator module 542M1		FAS2 - 9... (FA number)

Dimensions (mm)

Product line	A	B	B1	B2	C _{min}	C _{max}	C1	D1	D2	E	H
B200-A	48	50	69	88	92	107	32	12	4,5	36	72

N/PE connection link for terminal capacities with max. 16 mm². Modular shaft extensions see page B4-11.

Base Mounting Switches

sälzer

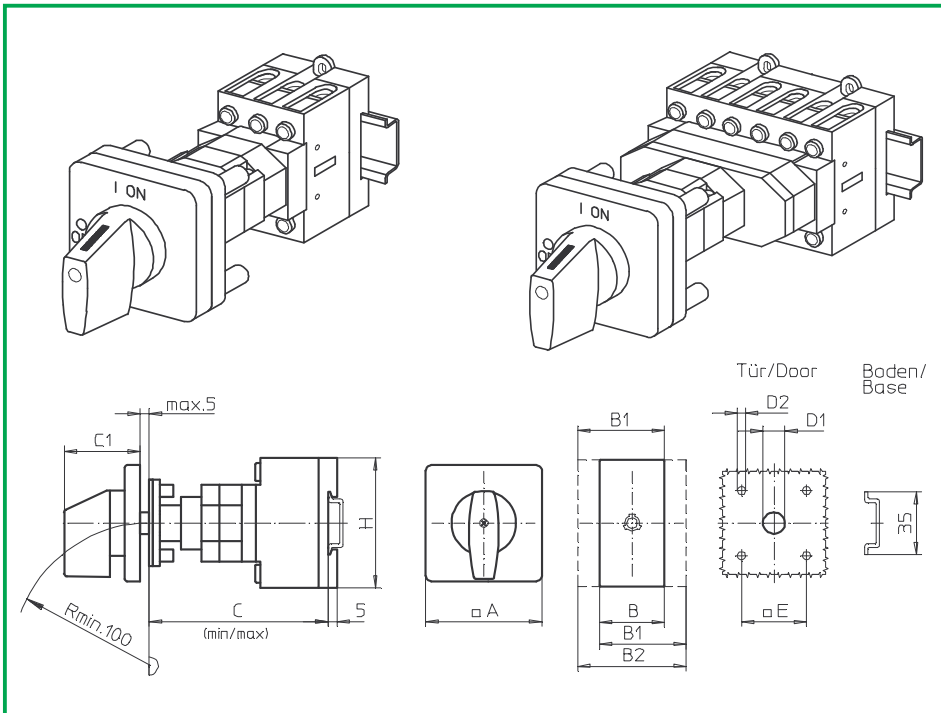
Product lines
B200-A/ -D/ -E

Base mounting switch
Operator module of next size

Door interlock
Modular shaft extension
N/PE connection link

Four hole mounting
48 x 48 mm front

548M1 (IP66)



Complete switch	Poles	Product lines	Rated data (IEC 60947)			Order code number
			Operational current I_e	Operational power at 380–440 V		
			AC-21A A	AC-23A kW	AC-3 kW	
ON-OFF Switches Switching angle 90°	3 ... 8	B200-A/ -D	50 63	18,5 22	15 18,5	B250 - 41 ... - 548M1 B263 - 41 ... - 548M1
Changeover with OFF Switching angle 90°	3 ... 4	B200-E	50 63	18,5 22	15 18,5	B250 - 71 ... - 548M1 B263 - 71 ... - 548M1

SMD modules for basic switch A02

Mounting form module for 548M1

B200-A/ -D
B200-E

BFA2 - 548
BFB2 - 548

M-operator module 64 x 64 mm, mounting form 548M1
Escutcheon black, handle black

B200-A/ -D/ -E

4AM1

Legend plate silver, operator module 548M1

FAS4 - 9... (FA number)

Dimensions (mm)

Product lines	A	B	B1	B2	C _{min}	C _{max}	C1	D1	D2	E	H
B200-A	64	50	69	88	92	107	39	15	5	48	72
B200-D	64	100	119	138	104	119	39	15	5	48	72
B200-E	64	100	119	138	104	119	39	15	5	48	72

N/PE connection link for terminal capacities with max. 16 mm². Modular shaft extensions see page B4-11.

Base Mounting Switches

sälzer

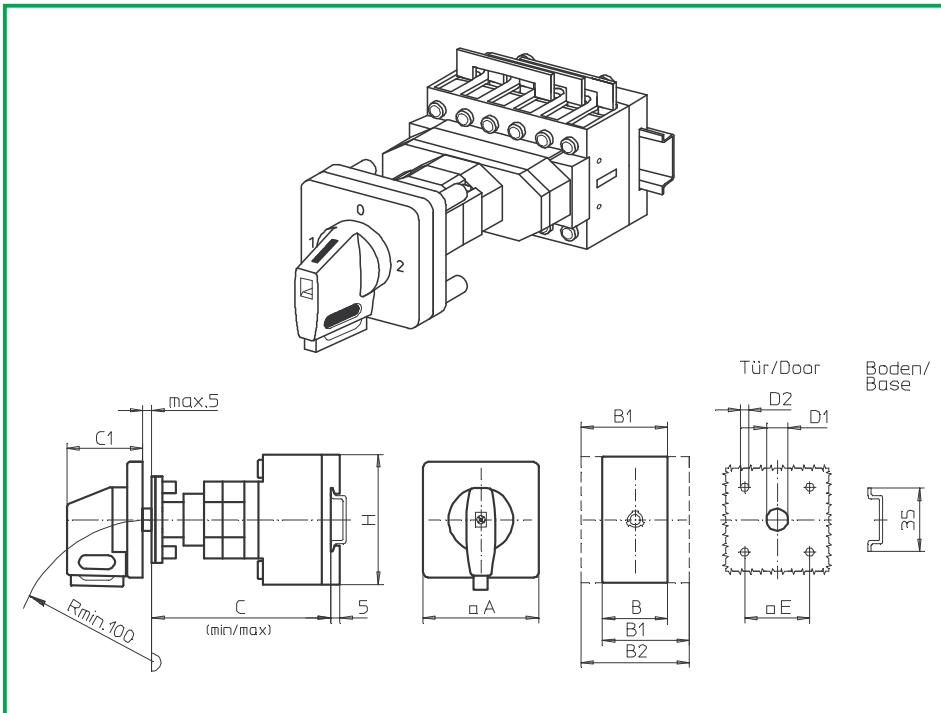
Product line
B200-E

Base mounting switch
Operator module of next size

Door interlock
Modular shaft extension
N/PE connection link

Four hole mounting
48 x 48 mm front

548V1 (IP66)
549V1 (IP66)



Complete switch	Poles	Product lines	Rated data (IEC 60947)			Order code number
			Operational current I _e	Operational power at 380–440 V		
			AC-21A A	AC-23A kW	AC-3 kW	
Changeover with OFF Switching angle 90° OFF position padlockable 12h	3 ... 4	B200-E	50 63	18,5 22	15 18,5	B250 - 71 ... - 548V1 B263 - 71 ... - 548V1
Changeover with OFF Switching angle 90° 3 positions padlockable (09h/12h/03h)	3 ... 4	B200-E	50 63	18,5 22	15 18,5	B250 - 71 ... - 549V1 B263 - 71 ... - 549V1

SMD modules for basic switch A02

Mounting form module for 548V1/ 549V1

B200-E

BFB2 - 548

V-operator module 64 x 64 mm, mounting form 548V1
Escutcheon black, handle black

4AV1 - 12

V-operator module 64 x 64 mm, mounting form 549V1
Escutcheon black, handle black

4AV1 - 99

Legend plate silver, operator modules 548V1/ 549V1

FAS4 - 9... (FA number)

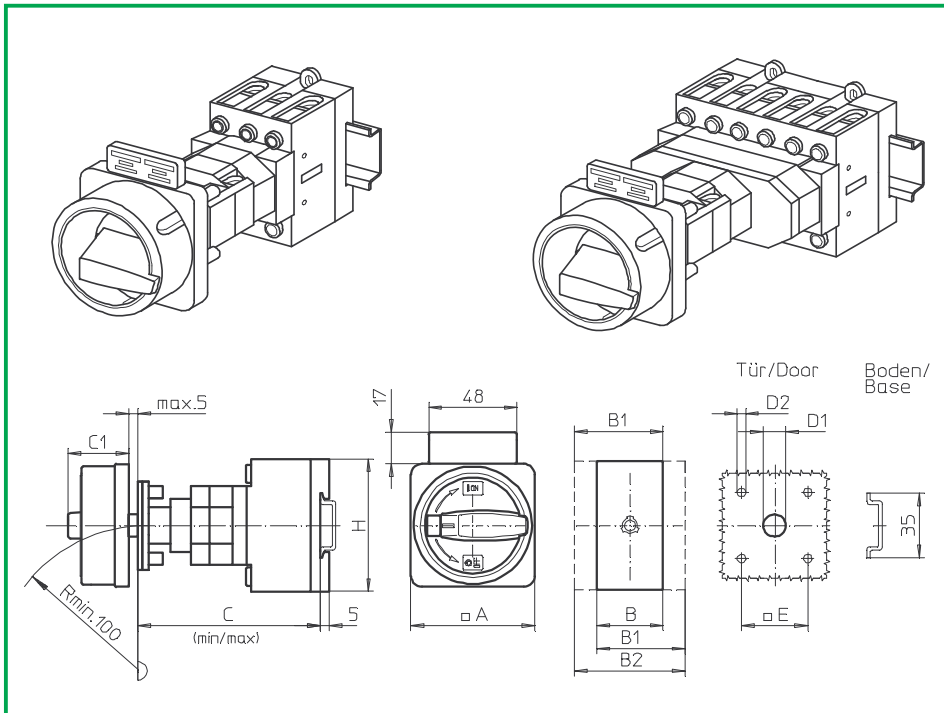
Dimensions (mm)

Product lines	A	B	B1	B2	C _{min}	C _{max}	C1	D1	D2	E	H
B200-E	64	100	119	138	104	119	39	15	5	48	72

N/PE connection link for terminal capacities with max. 16 mm². Modular shaft extensions see page B4-11.

Base Mounting Switches

sälzer



**Product lines
B200-A/ -D**

Base mounting switch

Door interlock

Modular shaft extension
N/PE connection link

Four hole mounting

36 x 36 mm front

534M1 (IP66)

534M4 (IP66)

Complete switch	Poles	Product lines	Rated data (IEC 60947)			Order code number
			Operational current I _e	Operational power at 380–440 V		
			AC-21A A	AC-23A kW	AC-3 kW	
Main Switches OFF position padlockable 09h	3 ... 8	B200-A/ -D	50 63	18,5 22	15 18,5	B250 - 41 ... - 534M1 B263 - 41 ... - 534M1
Main/Emergency-Off Switches OFF position padlockable 09h	3 ... 8	B200-A/ -D	50 63	18,5 22	15 18,5	B250 - 41 ... - 534M4 B263 - 41 ... - 534M4

SMD modules for basic switch A02

Mounting form module for 534M.

B200-A/ -D

BFA2 - 534

M-padlock device 67 x 67 mm, mounting form 534M1
Escutcheon black, padlockable handle black

2CM1

M-padlock device 67 x 67 mm, mounting form 534M4
Escutcheon yellow, padlockable handle red

2CM4

Additional top escutcheon plate

FAZ2 - 8041

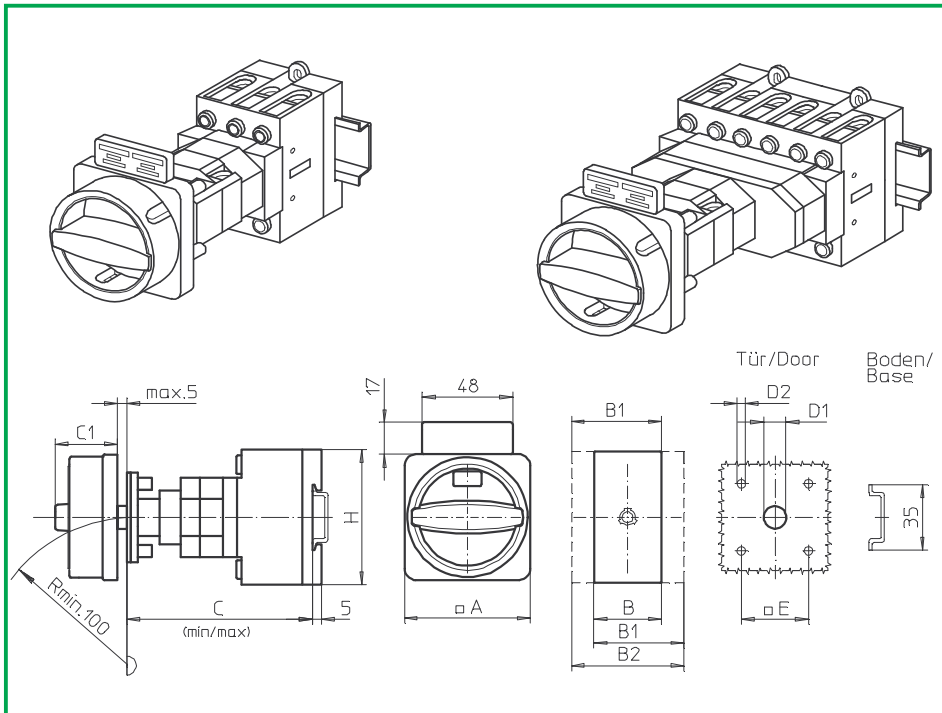
Dimensions (mm)

Product lines	A	B	B1	B2	C _{min}	C _{max}	C1	D1	D2	E	H
B200-A	67	50	69	88	92	107	38	15	4,5	36	72
B200-D	67	100	119	138	104	119	38	15	4,5	36	72

N/PE connection link for terminal capacities with max. 16 mm². Modular shaft extensions see page B4-11.

Base Mounting Switches

sälzer



**Product lines
B200-A/ -D**

Base mounting switch

Door interlock

Modular shaft extension
N/PE connection link

Four hole mounting

36 x 36 mm front

534N1 (IP66)

534N4 (IP66)

Complete switch	Poles	Product lines	Rated data (IEC 60947)			Order code number
			Operational current I _e	Operational power at 380–440 V		
			AC-21A A	AC-23A kW	AC-3 kW	
Main Switches OFF position padlockable 09h	3 ... 8	B200-A/ -D	50 63	18,5 22	15 18,5	B250 - 41 ... - 534N1 B263 - 41 ... - 534N1
Main/Emergency-Off Switches OFF position padlockable 09h	3 ... 8	B200-A/ -D	50 63	18,5 22	15 18,5	B250 - 41 ... - 534N4 B263 - 41 ... - 534N4

SMD modules for basic switch A02

Mounting form module for 534N.

B200-A/ -D

BFA2 - 534

N-padlock device 67 x 67 mm, mounting form 534N1
Escutcheon black, padlockable handle black

2CN1

N-padlock device 67 x 67 mm, mounting form 534N4
Escutcheon yellow, padlockable handle red

2CN4

Additional top escutcheon plate

FAZ2 - 8041

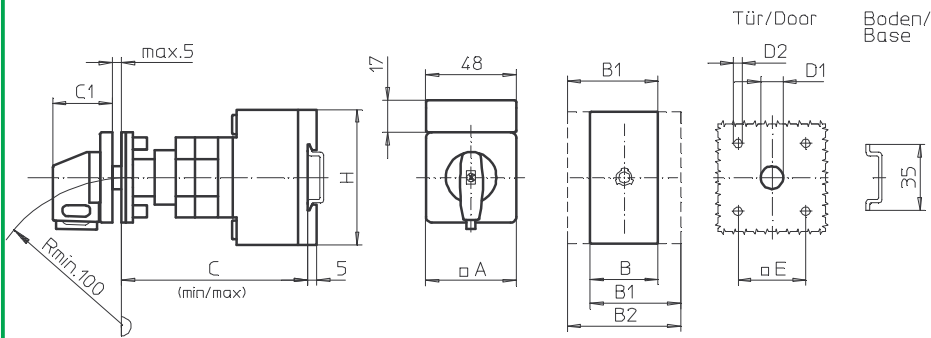
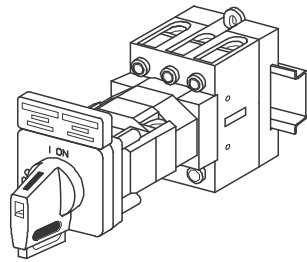
Dimensions (mm)

Product lines	A	B	B1	B2	C _{min}	C _{max}	C1	D1	D2	E	H
B200-A	67	50	69	88	92	107	33	15	4,5	36	72
B200-D	67	100	119	138	104	119	33	15	4,5	36	72

N/PE connection link for terminal capacities with max. 16 mm². Modular shaft extensions see page B4-11.

Base Mounting Switches

sälzer



Product lines
B200-A

Base mounting switch

Door interlock

Modular shaft extension
N/PE connection link

Four hole mounting

36 x 36 mm front

534V1 (IP66)

534V4 (IP66)

Complete switch	Poles	Product lines	Rated data (IEC 60947)			Order code number
			Operational current I _e	Operational power at 380–440 V		
			AC-21A A	AC-23A kW	AC-3 kW	
Main Switches OFF position padlockable 09h	3 ... 4	B200-A	50 63	18,5 22	15 18,5	B250 - 41 ... - 534V1 B263 - 41 ... - 534V1
Main/Emergency-Off Switches OFF position padlockable 09h	3 ... 4	B200-A	50 63	18,5 22	15 18,5	B250 - 41 ... - 534V4 B263 - 41 ... - 534V4

SMD modules for basic switch A02

Mounting form module for 534V.

B200-A

BFA2 - 542

V-operator module 48 x 48 mm, mounting form 534V1
Escutcheon black, handle black
Legend plate silver, operator module 534V1

2AV1 - 09

FAS2 - 9078

V-operator module 48 x 48 mm, mounting form 534V4
Escutcheon black, handle red
Legend plate yellow, operator module 534V4

2AV4 - 09

FBS2 - 9078

Additional top escutcheon plate

FAZ2 - 8041

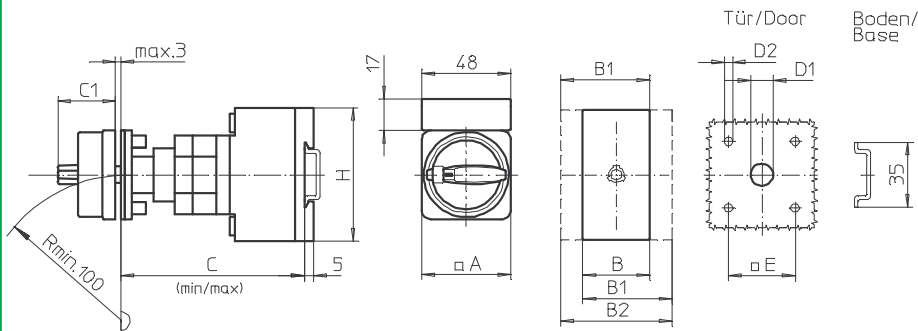
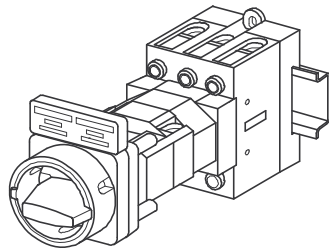
Dimensions (mm)

Product line	A	B	B1	B2	C _{min}	C _{max}	C1	D1	D2	E	H
B200-A	48	50	69	88	92	107	32	12	4,5	36	72

N/PE connection link for terminal capacities with max. 16 mm². Modular shaft extensions see page B4-11.

Base Mounting Switches

sälzer



Product line
B200-A

Base mounting switch

Door interlock

Modular shaft extension
N/PE connection link

Four hole mounting

36 x 36 mm front

535M1 (IP66)

535M4 (IP66)

Complete switch	Poles	Product lines	Rated data (IEC 60947)			Order code number
			Operational current I _e	Operational power at 380–440 V		
			AC-21A A	AC-23A kW	AC-3 kW	
Main Switches OFF position padlockable 09h	3 ... 4	B200-A	50 63	18,5 22	15 18,5	B250 - 41 ... - 535M1 B263 - 41 ... - 535M1
Main/Emergency-Off Switches OFF position padlockable 09h	3 ... 4	B200-A	50 63	18,5 22	15 18,5	B250 - 41 ... - 535M4 B263 - 41 ... - 535M4

SMD modules for basic switch A02

Mounting form module for 535M.

B200-A

BFA2 - 542

M-padlock device 48 x 48 mm, mounting form 535M1
Escutcheon black, padlockable handle black

2BM1

M-padlock device 48 x 48 mm, mounting form 535M4
Escutcheon yellow, padlockable handle red

2BM4

Additional top escutcheon plate

FAZ2 - 8041

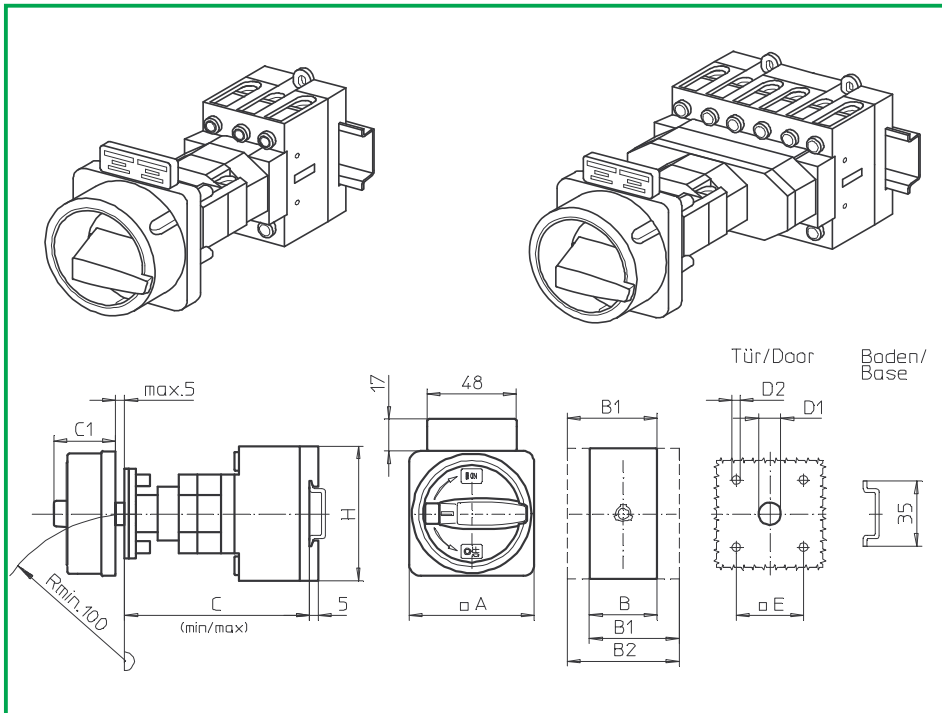
Dimensions (mm)

Product line	A	B	B1	B2	C _{min}	C _{max}	C1	D1	D2	E	H
B200-A	48	50	69	88	92	107	31	12	4,5	36	72

N/PE connection link for terminal capacities with max. 16 mm². Modular shaft extensions see page B4-11.

Base Mounting Switches

sälzer



Product lines
B200-A/ -D

Base mounting switch
Operator module of next size

Door interlock
Modular shaft extension
N/PE connection link

Four hole mounting
48 x 48 mm front

538M1 (IP66)
538M4 (IP66)

Complete switch	Poles	Product lines	Rated data (IEC 60947)			Order code number
			Operational current I _e	Operational power at 380–440 V		
			AC-21A A	AC-23A kW	AC-3 kW	
Main Switches OFF position padlockable 09h	3 ... 8	B200-A/ -D	50 63	18,5 22	15 18,5	B250 - 41 ... - 538M1 B263 - 41 ... - 538M1
Main/Emergency-Off Switches OFF position padlockable 09h	3 ... 8	B200-A/ -D	50 63	18,5 22	15 18,5	B250 - 41 ... - 538M4 B263 - 41 ... - 538M4

SMD modules for basic switch A02

Mounting form module for 538M.

B200-A/ -D

BFA2 - 538

M-padlock device 67 x 67 mm, mounting form 538M1
Escutcheon black, padlockable handle black

4BM1

M-padlock device 67 x 67 mm, mounting form 538M4
Escutcheon yellow, padlockable handle red

4BM4

Additional top escutcheon plate

FAZZ - 8041

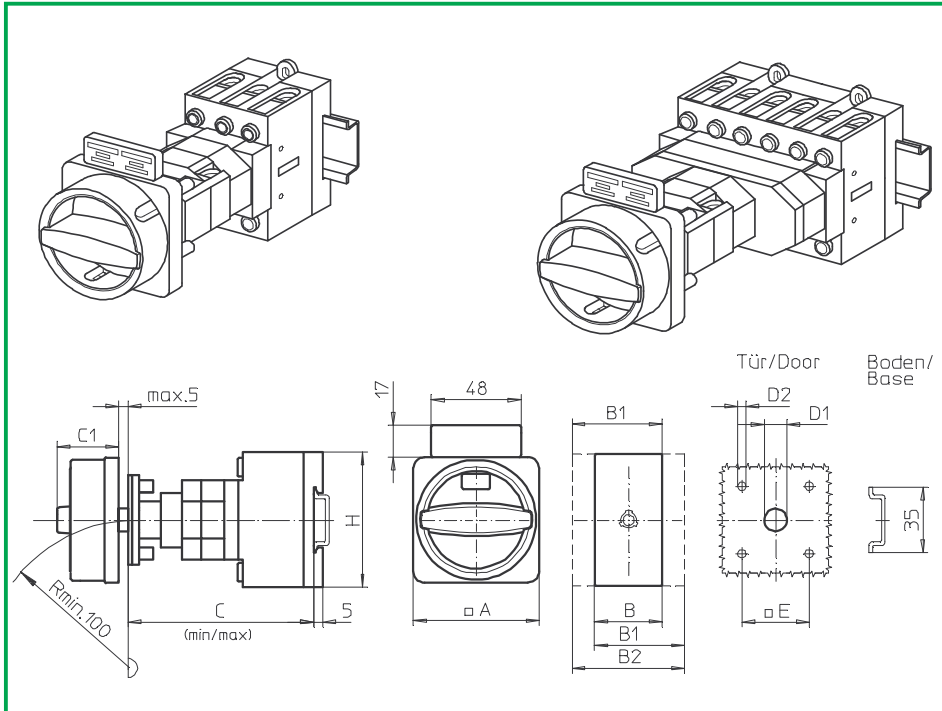
Dimensions (mm)

Product lines	A	B	B1	B2	C _{min}	C _{max}	C1	D1	D2	E	H
B200-A	67	50	69	88	92	107	38	15	5	48	72
B200-D	67	100	119	138	104	119	38	15	5	48	72

N/PE connection link for terminal capacities with max. 16 mm². Modular shaft extensions see page B4-11.

Base Mounting Switches

sälzer



Product lines
B200-A/ -D

Base mounting switch
Operator module of next size

Door interlock
Modular shaft extension
N/PE connection link

Four hole mounting
48 x 48 mm front

538N1 (IP66)
538N4 (IP66)

Complete switch	Poles	Product lines	Rated data (IEC 60947)			Order code number
			Operational current I _e	Operational power at 380–440 V		
			AC-21A A	AC-23A kW	AC-3 kW	
Main Switches OFF position padlockable 09h	3 ... 8	B200-A/ -D	50 63	18,5 22	15 18,5	B250 - 41 ... - 538N1 B263 - 41 ... - 538N1
Main/Emergency-Off Switches OFF position padlockable 09h	3 ... 8	B200-A/ -D	50 63	18,5 22	15 18,5	B250 - 41 ... - 538N4 B263 - 41 ... - 538N4

SMD modules for basic switch A02

Mounting form module for 538M.

B200-A/ -D

BFA2 - 538

N-padlock device 67 x 67 mm, mounting form 538N1
Escutcheon black, padlockable handle black

4BN1

N-padlock device 67 x 67 mm, mounting form 538N4
Escutcheon yellow, padlockable handle red

4BN4

Additional top escutcheon plate

FAZZ - 8041

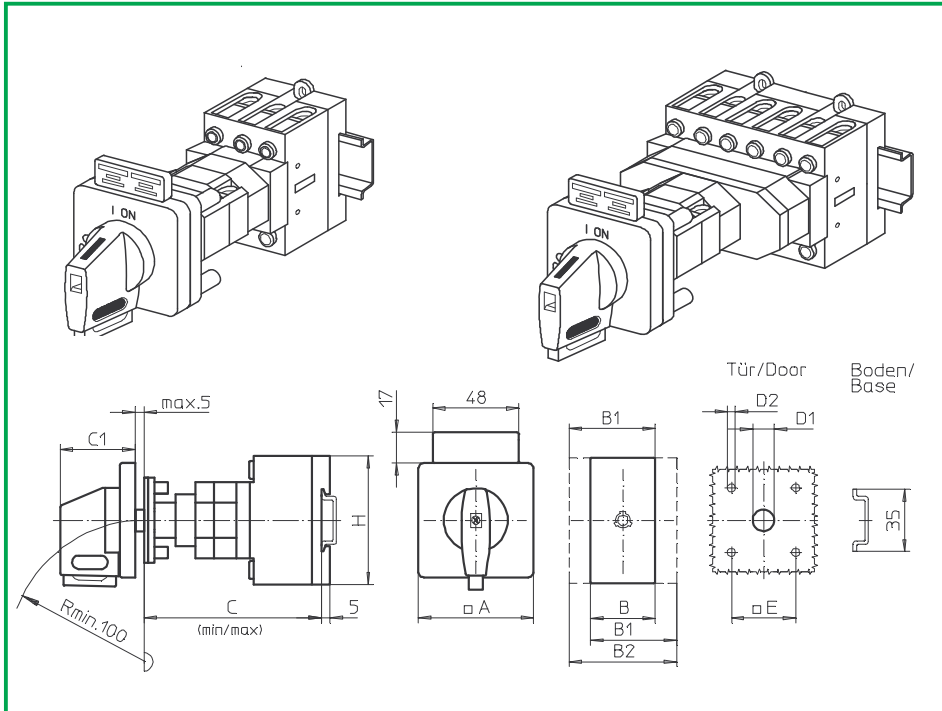
Dimensions (mm)

Product lines	A	B	B1	B2	C _{min}	C _{max}	C1	D1	D2	E	H
B200-A	64	50	69	88	92	107	39	15	5	48	72
B200-D	64	100	119	138	104	119	39	15	5	48	72

N/PE connection link for terminal capacities with max. 16 mm². Modular shaft extensions see page B4-11.

Base Mounting Switches

sälzer



Product lines
B200-A/ -D

Base mounting switch
Operator module of next size

Door interlock
Modular shaft extension
N/PE connection link

Four hole mounting
48 x 48 mm front

538V1 (IP66)
538V4 (IP66)

Complete switch	Poles	Product lines	Rated data (IEC 60947)			Order code number
			Operational current I _e	Operational power at 380–440 V		
			AC-21A A	AC-23A kW	AC-3 kW	
Main Switches OFF position padlockable 09h	3 ... 8	B200-A/ -D	50 63	18,5 22	15 18,5	B250 - 41 ... - 538V1 B263 - 41 ... - 538V1
Main/Emergency-Off Switches OFF position padlockable 09h	3 ... 8	B200-A/ -D	50 63	18,5 22	15 18,5	B250 - 41 ... - 538V4 B263 - 41 ... - 538V4

SMD modules for basic switch A02

Mounting form module for 538V.

B200-A/ -D

BFA2 - 548

V-operator module 64 x 64 mm, mounting form 538V1
Escutcheon black, handle black
Legend plate silver, operator module 538V1

4AV1 - 09

FAS4 - 9078

V-operator module 64 x 64 mm, mounting form 538V4
Escutcheon black, handle red
Legend plate yellow, operator module 538V4
Additional top escutcheon plate

4AV4 - 09

FBS4 - 9078

FAZZ - 8041

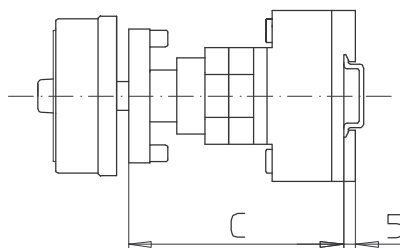
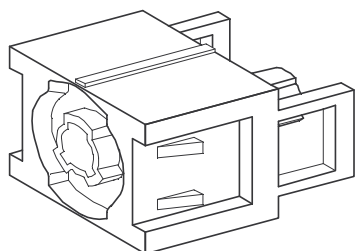
Dimensions (mm)

Product lines	A	B	B1	B2	C _{min}	C _{max}	C1	D1	D2	E	H
B200-A	64	50	69	88	92	107	39	15	5	48	72
B200-D	64	72	84	96	100	115	39	15	5	48	70

N/PE connection link for terminal capacities with max. 16 mm². Modular shaft extensions see page B4-11.

Modular shaft extension

sälzer



Product lines
B200-A/ -D/ -E

Base mounting switch

Door interlock
Modular shaft extension
N/PE connection link

Four hole mounting
Front

AVC2 - .

Modular shaft extensions for use with door interlock

Dimension C (internal depth, inside of door to top of DIN rail)

Dimension	B200-A	B200-D/ -E	No.	Order code number
0	092 . . . 107 mm	104 . . . 119 mm	-	-
1	114 . . . 132 mm	126 . . . 144 mm	1	AVC2 - 1
2	139 . . . 157 mm	151 . . . 169 mm	1	AVC2 - 2
3	164 . . . 182 mm	176 . . . 194 mm	1	AVC2 - 3
4	189 . . . 207 mm	201 . . . 219 mm	1	AVC2 - 4

Base Mounting Switches

sälzer

**Product line
B200-A**

Base mounting switch

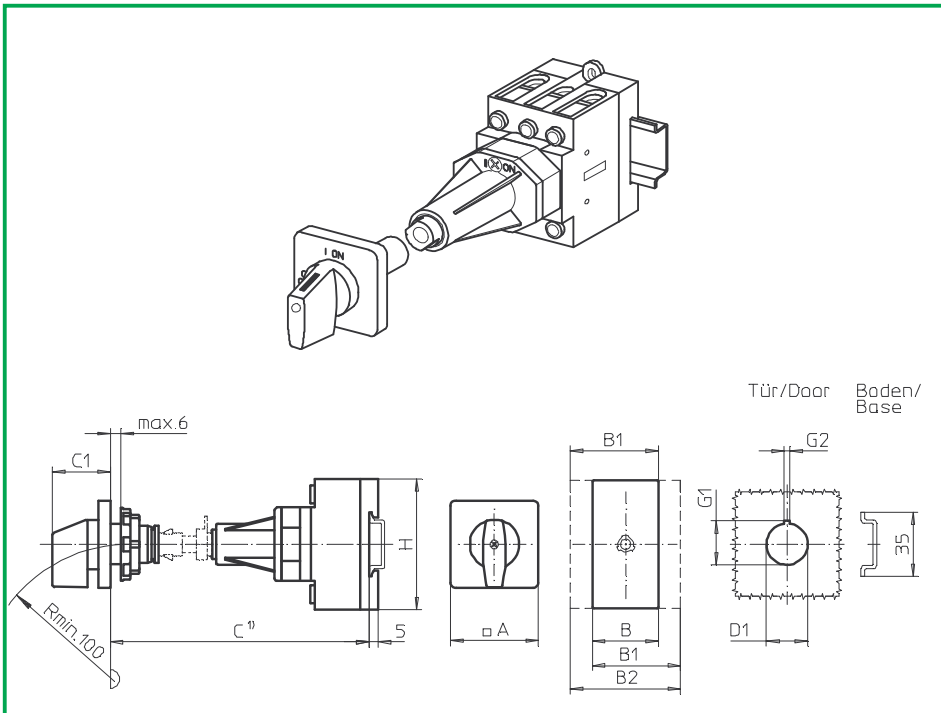
Door clutch

Metal shaft extension

Single hole mounting

ø 22,5 mm front

282M1 (IP66)



Complete switch	Poles	Product lines	Rated data (IEC 60947)			Order code number			
			Operational current I _e	Operational power at 380–440 V					
			AC-21A A	AC-23A kW	AC-3 kW				
ON-OFF Switches Switching angle 90°	3 ... 4	B200-A	50 63	18,5 22	15 18,5	B250 - 41 ... - 282M1 B263 - 41 ... - 282M1			
SMD modules for basic switch A02									
Mounting form module for 282M1			B200-A			BFB2 - 280			
M-operator module 48 x 48 mm, mounting form 282M1 Escutcheon black, handle black						2LM1			
Legend plate silver, operator module 282M1						FAS2 - 9... (FA number)			
Dimensions (mm)									
Product lines	A	B	B1	B2	C1	D1	G1	G2	H
B200-A	48	50	69	88	32	22,5	24,2	3,2	72
Modular shaft extensions, see page B5-9.									

Base Mounting Switches

sälzer

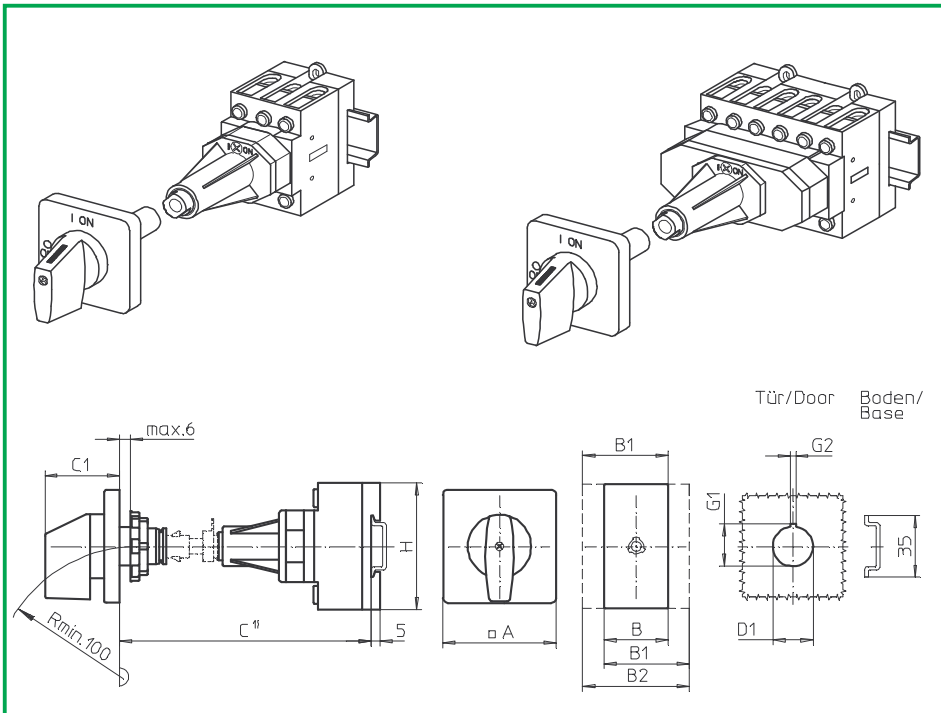
**Product lines
B200-A/ -D/ -E**

Base mounting switch
Operator module of next size

Door clutch
Metal shaft extension

Single hole mounting
ø 22,5 mm front

284M1 (IP66)



Complete switch	Poles	Product lines	Rated data (IEC 60947)			Order code number
			Operational current I _e	Operational power at 380–440 V		
			AC-21A A	AC-23A kW	AC-3 kW	
ON-OFF Switches Switching angle 90°	3 ... 8	B200-A/ -D	50 63	18,5 22	15 18,5	B250 - 41 ... - 284M1 B263 - 41 ... - 284M1
Changeover with OFF Switching angle 90°	3 ... 4	B200-E	50 63	18,5 22	15 18,5	B250 - 71 ... - 284M1 B263 - 71 ... - 284M1

SMD modules for basic switch A02

Mounting form module for 284M1

B200-A/ -D
B200-E

BFB2 - 280
BFC2 - 280

M-operator module 64 x 64 mm, mounting form 284M1
Escutcheon black, handle black

B200-A/ -D/ -E

2NM1

Legend plate silver, operator module 284M1

FAS4 - 9... (FA number)

Dimensions (mm)

Product lines	A	B	B1	B2	C1	D1	G1	G2	H
B200-A	64	50	69	88	39	22,5	24,2	3,2	72
B200-D	64	100	119	138	39	22,5	24,2	3,2	72
B200-E	64	100	119	138	39	22,5	24,2	3,2	72

Modular shaft extensions, see page B5-9.

Base Mounting Switches

sälzer

Product line
B200-E

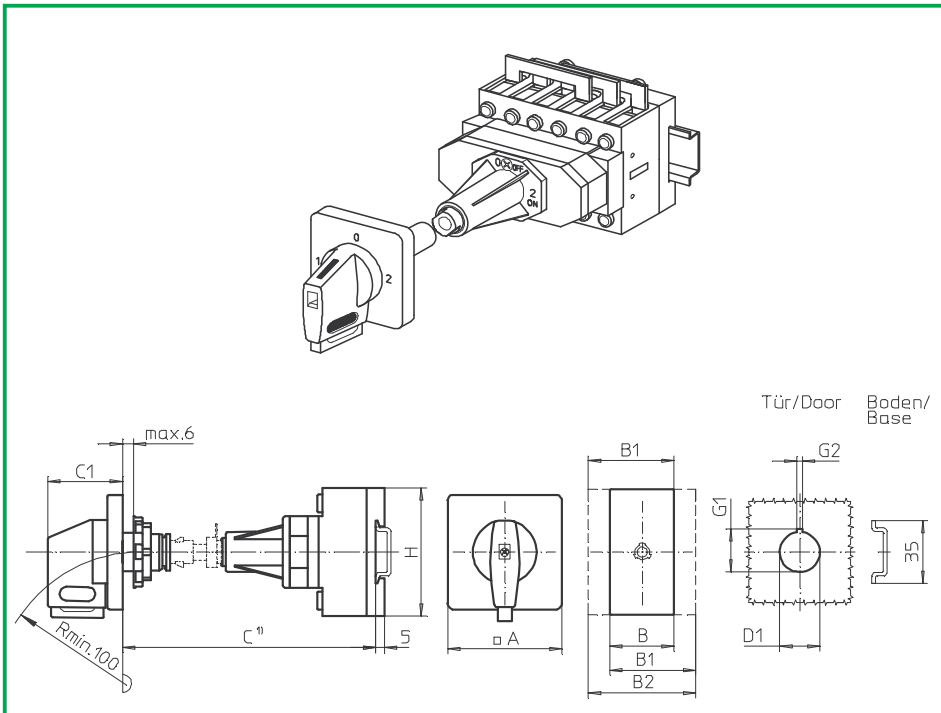
Base mounting switch
Operator module of next size

Door clutch
Metal shaft extension

Single hole mounting
ø 22,5 mm front

284V1 (IP66)

290V1 (IP66)



Complete switch	Poles	Product lines	Rated data (IEC 60947)			Order code number
			Operational current I _e	Operational power at 380–440 V		
			AC-21A A	AC-23A kW	AC-3 kW	
Changeover with OFF Switching angle 90° OFF position padlockable 12h	3 ... 4	B200-E	50	18,5	15	B250 - 71 ... - 284V1
			63	22	18,5	B263 - 71 ... - 284V1
Changeover with OFF Switching angle 90° 3 positions padlockable (09h/12h/03h)	3 ... 4	B200-E	50	18,5	15	B250 - 71 ... - 290V1
			63	22	18,5	B263 - 71 ... - 290V1

SMD modules for basic switch A02

Mounting form module for 284V1/ 290V1

B200-E

BFC2 - 280

V-operator module 64 x 64 mm, mounting form 284V1
Escutcheon black, handle black

2NV1 - 12

V-operator module 64 x 64 mm, mounting form 290V1
Escutcheon black, handle black

2NV1 - 99

Legend plate silver, operator modules 284V1/ 290V1

FAS4 - 9... (FA number)

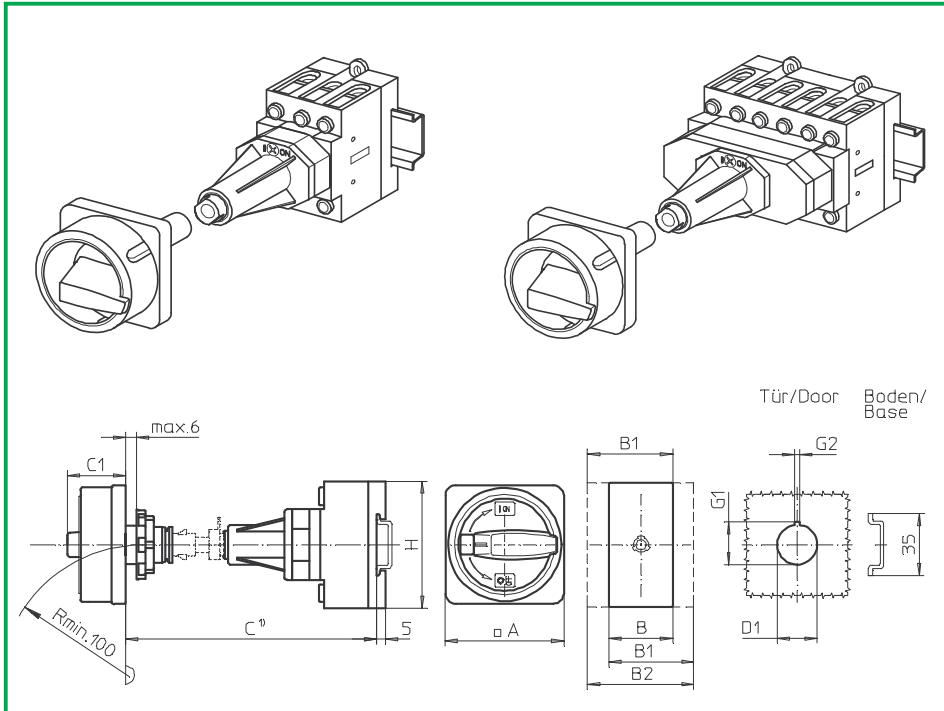
Dimensions (mm)

Product lines	A	B	B1	B2	C1	D1	G1	G2	H
B200-E	64	100	119	138	39	22,5	24,2	3,2	72

Modular shaft extensions, see page B5-9.

Base Mounting Switches

sälzer



**Product lines
B200-A/ -D**

Base mounting switch

Door clutch
Metal shaft extension

Single hole mounting
ø 22,5 mm front

280M1 (IP66)
280M4 (IP66)

Complete switch	Poles	Product lines	Rated data (IEC 60947)			Order code number
			Operational current I _e	Operational power at 380–440 V		
			AC-21A A	AC-23A kW	AC-3 kW	
Main Switches OFF position padlockable 09h	3 ... 8	B200-A/ -D	50 63	18,5 22	15 18,5	B250 - 41 ... - 280M1 B263 - 41 ... - 280M1
Main/Emergency-Off Switches OFF position padlockable 09h	3 ... 8	B200-A/ -D	50 63	18,5 22	15 18,5	B250 - 41 ... - 280M4 B263 - 41 ... - 280M4

SMD modules for basic switch A02

Mounting form module for 280M.

B200-A/ -D

BFB2 - 280

M-padlock device 67 x 67 mm, mounting form 280M1
Escutcheon black, padlockable handle black

2GM1

M-padlock device 67 x 67 mm, mounting form 280M4
Escutcheon yellow, padlockable handle red

2GM4

Dimensions (mm)

Product lines	A	B	B1	B2	C1	D1	G1	G2	H
B200-A	67	50	69	88	38	22,5	24,2	3,2	72
B200-D	67	100	119	138	38	22,5	24,2	3,2	72

Modular shaft extensions, see page B5-9.

Base Mounting Switches

sälzer

**Product lines
B200-A/ -D**

Base mounting switch

Door clutch

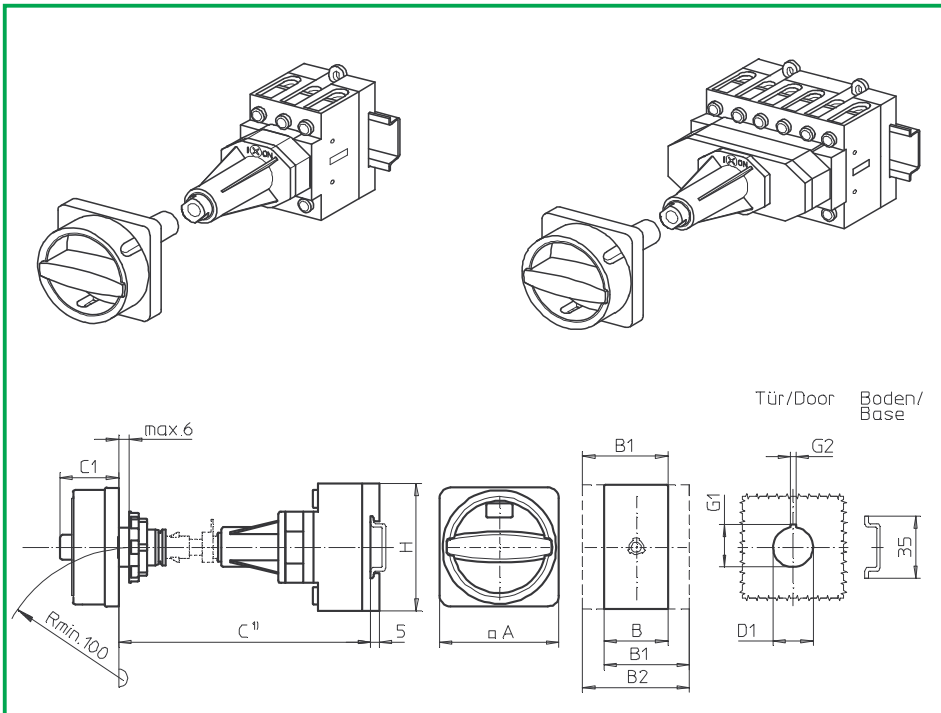
Metal shaft extension

Single hole mounting

ø 22,5 mm front

280N1 (IP66)

280N4 (IP66)



Complete switch	Poles	Product lines	Rated data (IEC 60947)			Order code number
			Operational current I _e	Operational power at 380–440 V		
			AC-21A A	AC-23A kW	AC-3 kW	
Main Switches OFF position padlockable 09h	3 ... 8	B200-A/ -D	50 63	18,5 22	15 18,5	B250 - 41 ... - 280N1 B263 - 41 ... - 280N1
Main/Emergency-Off Switches OFF position padlockable 09h	3 ... 8	B200-A/ -D	50 63	18,5 22	15 18,5	B250 - 41 ... - 280N4 B263 - 41 ... - 280N4

SMD modules for basic switch A02

Mounting form module for 280N.

B200-A/ -D

BFB2 - 280
2GN1

N-padlock device 67 x 67 mm, mounting form 280N1
Escutcheon black, padlockable handle black

2GN4

N-padlock device 67 x 67 mm, mounting form 280N4
Escutcheon yellow, padlockable handle red

Dimensions (mm)

Product lines	A	B	B1	B2	C1	D1	G1	G2	H
B200-A	67	50	69	88	33	22,5	24,2	3,2	72
B200-D	67	100	119	138	33	22,5	24,2	3,2	72

Modular shaft extensions, see page B5-9.

Base Mounting Switches

sälzer

**Product line
B200-A**

Base mounting switch

Door clutch

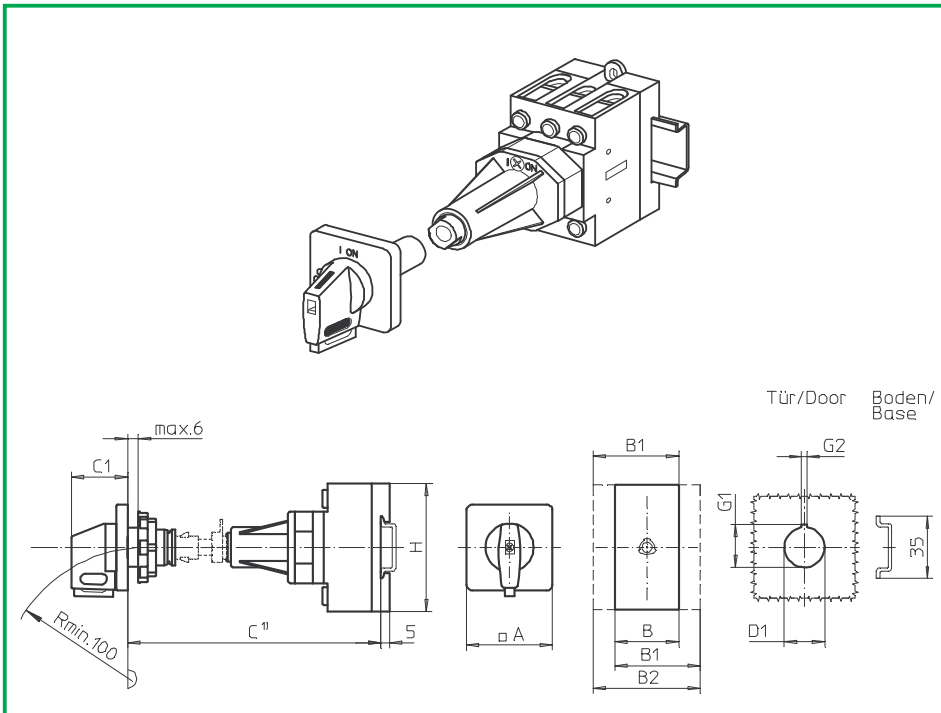
Metal shaft extension

Single hole mounting

ø 22,5 mm front

280V1 (IP66)

280V4 (IP66)



Complete switch	Poles	Product lines	Rated data (IEC 60947)			Order code number
			Operational current I _e	Operational power at 380–440 V		
			AC-21A A	AC-23A kW	AC-3 kW	
Main Switches OFF position padlockable 09h	3 ... 4	B200-A	50 63	18,5 22	15 18,5	B250 - 41 ... - 280V1 B263 - 41 ... - 280V1
Main/Emergency-Off Switches OFF position padlockable 09h	3 ... 4	B200-A	50 63	18,5 22	15 18,5	B250 - 41 ... - 280V4 B263 - 41 ... - 280V4

SMD modules for basic switch A02

Mounting form module for 280V.

B200-A

BFB2 - 280

V-operator module 48 x 48 mm, mounting form 280V1
Escutcheon black, handle black

2LV1 - 09

Legend plate silver, operator module 280V1

FAS2 - 9078

V-operator module 48 x 48 mm, mounting form 280V4
Escutcheon black, handle red

2LV4 - 09

Legend plate yellow, operator module 280V4

FBS2 - 9078

Dimensions (mm)

Product lines	A	B	B1	B2	C1	D1	G1	G2	H
B200-A	48	50	69	88	32	22,5	24,2	3,2	72

Modular shaft extensions, see page B5-9.

Base Mounting Switches

sälzer

**Product line
B200-A**

Base mounting switch

Door clutch

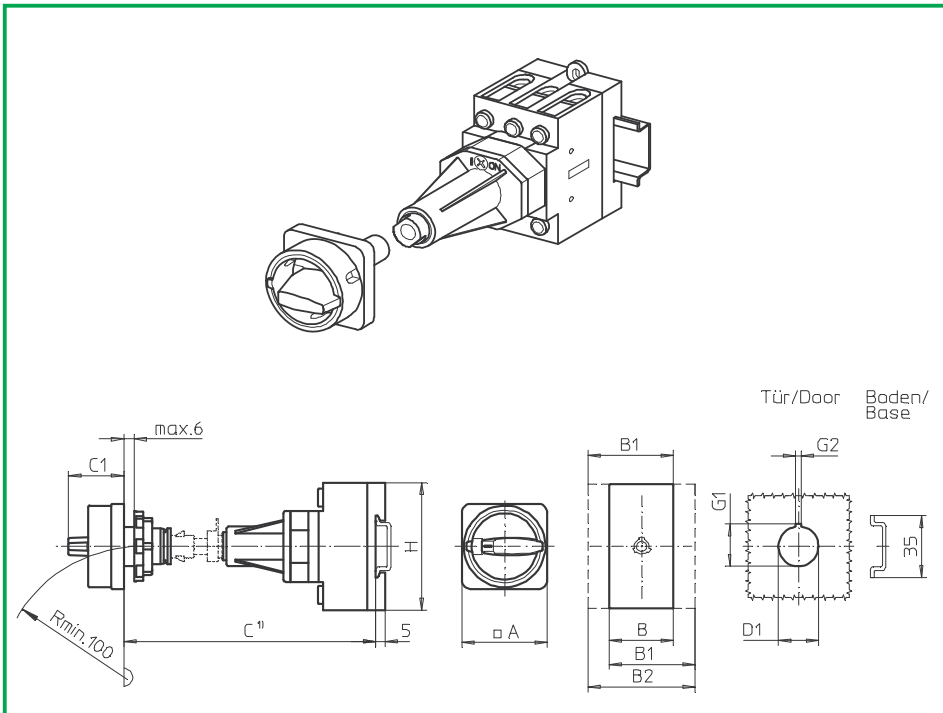
Metal shaft extension

Single hole mounting

∅ 22,5 mm front

286M1 (IP66)

286M4 (IP66)



Complete switch	Poles	Product lines	Rated data (IEC 60947)			Order code number
			Operational current I _e	Operational power at 380–440 V		
			AC-21A A	AC-23A kW	AC-3 kW	
Main Switches OFF position padlockable 09h	3 ... 4	B200-A	50 63	18,5 22	15 18,5	B250 - 41 ... - 286M1 B263 - 41 ... - 286M1
Main/Emergency-Off Switches OFF position padlockable 09h	3 ... 4	B200-A	50 63	18,5 22	15 18,5	B250 - 41 ... - 286M4 B263 - 41 ... - 286M4

SMD modules for basic switch A02

Mounting form module for 286M.

B200-A

BFB2 - 280

M-padlock device 48 x 48 mm, mounting form 286M1
Escutcheon black, padlockable handle black

2MM1

M-padlock device 48 x 48 mm, mounting form 286M4
Escutcheon yellow, padlockable handle red

2MM4

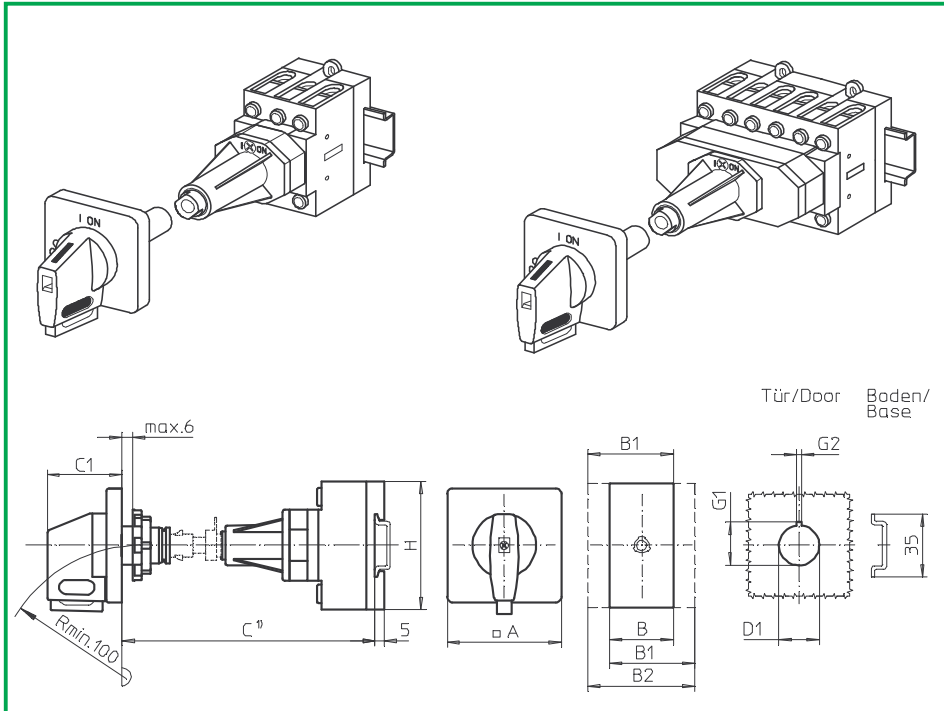
Dimensions (mm)

Product lines	A	B	B1	B2	C1	D1	G1	G2	H
B200-A	48	50	69	88	31	22,5	24,2	3,2	72

Modular shaft extensions, see page B5-9.

Base Mounting Switches

sälzer



Product lines
B200-A/ -D

Base mounting switch
Operator module of next size

Door clutch
Metal shaft extension

Single hole mounting
ø 22,5 mm front

288V1 (IP66)
288V4 (IP66)

Complete switch	Poles	Product lines	Rated data (IEC 60947)			Order code number
			Operational current I _e	Operational power at 380–440 V		
			AC-21A A	AC-23A kW	AC-3 kW	
Main Switches OFF position padlockable 09h	3 ... 8	B200-A/ -D	50 63	18,5 22	15 18,5	B250 - 41 ... - 288V1 B263 - 41 ... - 288V1
Main/Emergency-Off Switches OFF position padlockable 09h	3 ... 8	B200-A/ -D	50 63	18,5 22	15 18,5	B250 - 41 ... - 288V4 B263 - 41 ... - 288V4

SMD modules for basic switch A02

Mounting form module for 288V.

B200-A/ -D

BFB2 - 280

V-operator module 64 x 64 mm, mounting form 288V1
Escutcheon black, handle black

2NV1 - 09

Legend plate silver, operator module 288V1

FAS4 - 9078

V-operator module 64 x 64 mm, mounting form 288V4
Escutcheon black, handle red

2NV4 - 09

Legend plate yellow, operator module 288V4

FBS4 - 9078

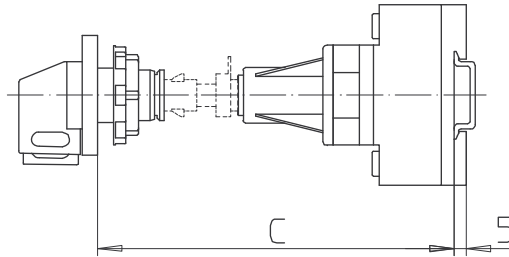
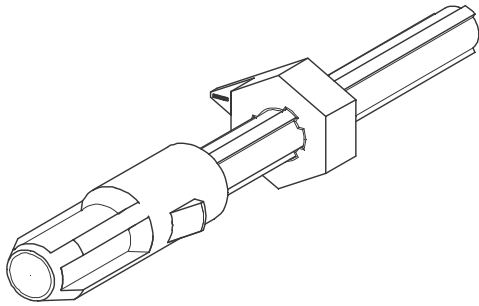
Dimensions (mm)

Product lines	A	B	B1	B2	C1	D1	G1	G2	H
B200-A	64	50	69	88	39	22,5	24,2	3,2	72
B200-D	64	100	119	138	39	22,5	24,2	3,2	72

Modular shaft extensions, see page B5-9.

Metal shaft extension

sälzer



Product lines
B200-A/ -D/ -E

Base mounting
switch

Door clutch
Metal shaft extension

Single hole mounting
ø 22,5 mm front

AVA8 - . . .

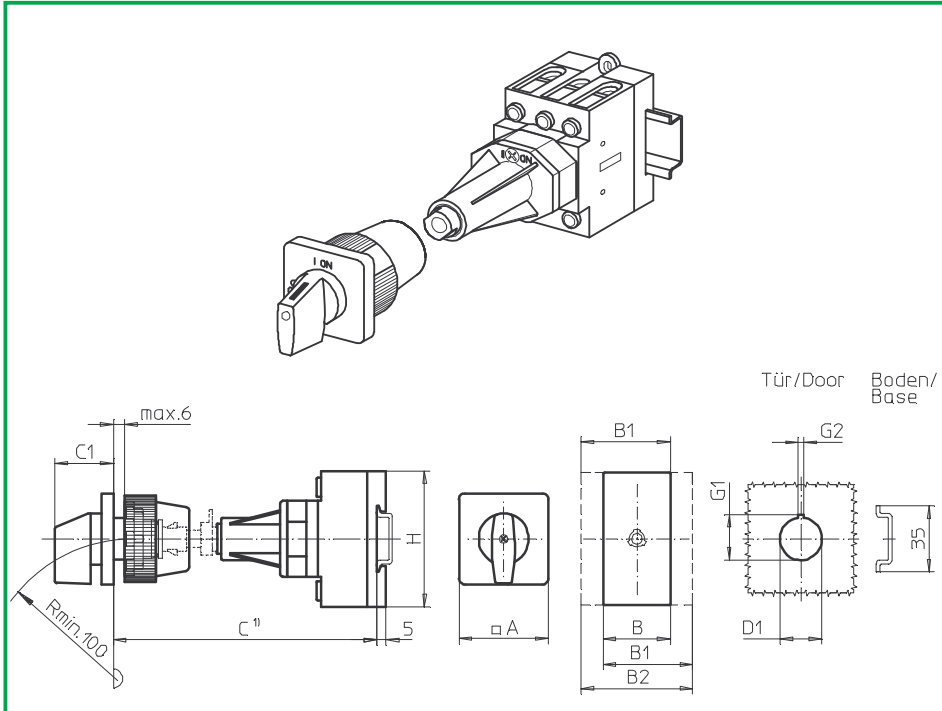
Modular shaft extensions for use with door clutch and single hole mounting ø 22,5 mm front

Dimension C (internal depth, outside of door to top of DIN rail)

B200-A	B200-D/ -E	Order code number
155 ... 173 mm	167 ... 185 mm	AVA8 - 065
174 ... 198 mm	186 ... 210 mm	AVA8 - 090
199 ... 223 mm	211 ... 235 mm	AVA8 - 115
224 ... 248 mm	236 ... 260 mm	AVA8 - 140
249 ... 273 mm	261 ... 285 mm	AVA8 - 165
274 ... 298 mm	286 ... 310 mm	AVA8 - 190
299 ... 323 mm	311 ... 335 mm	AVA8 - 215
324 ... 348 mm	336 ... 360 mm	AVA8 - 240
349 ... 373 mm	361 ... 385 mm	AVA8 - 265
374 ... 398 mm	386 ... 419 mm	AVA8 - 290
399 ... 423 mm	411 ... 435 mm	AVA8 - 315
424 ... 448 mm	436 ... 460 mm	AVA8 - 340
449 ... 473 mm	461 ... 485 mm	AVA8 - 365
474 ... 498 mm	486 ... 510 mm	AVA8 - 390
499 ... 523 mm	511 ... 535 mm	AVA8 - 415
524 ... 548 mm	536 ... 560 mm	AVA8 - 440
549 ... 573 mm	561 ... 585 mm	AVA8 - 465
574 ... 598 mm	586 ... 610 mm	AVA8 - 490
599 ... 623 mm	611 ... 635 mm	AVA8 - 515
624 ... 643 mm	636 ... 660 mm	AVA8 - 540

Base Mounting Switches

sälzer



**Product line
B200-A**

Base mounting switch

Door interlock
Metal shaft extension

Single hole mounting
ø 22,5 mm front

283M1 (IP66)

Complete switch	Poles	Product lines	Rated data (IEC 60947)			Order code number
			Operational current I _e	Operational power at 380–440 V		
			AC-21A A	AC-23A kW	AC-3 kW	
ON-OFF Switches Switching angle 90°	3 ... 4	B200-A	50 63	18,5 22	15 18,5	B250 - 41 ... - 283M1 B263 - 41 ... - 283M1

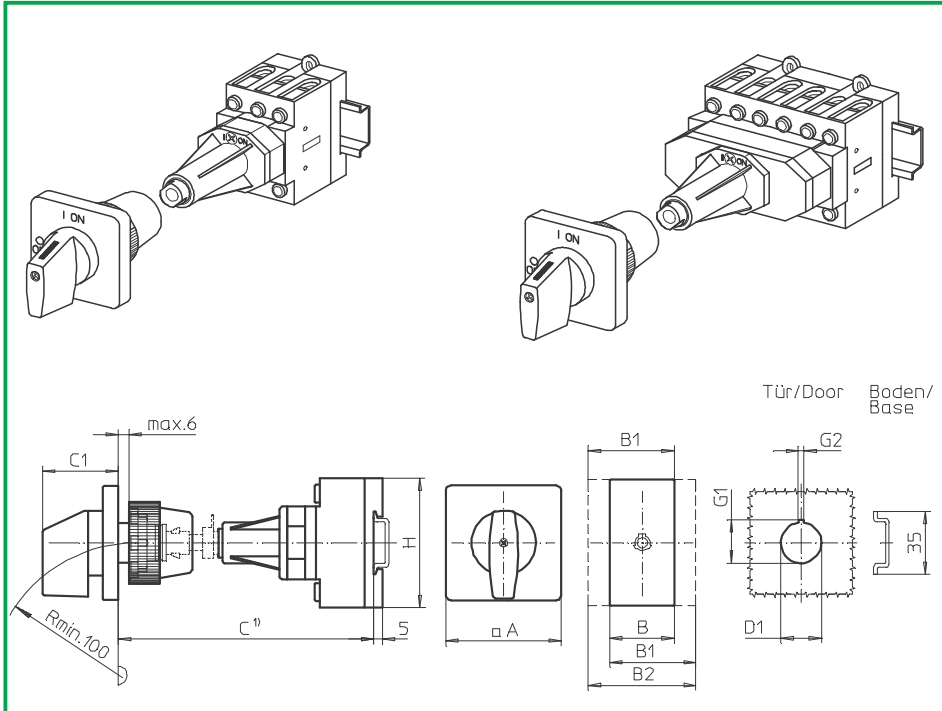
SMD modules for basic switch A02			
Mounting form module for 283M1		B200-A	BFB2 - 281
M-operator module 48 x 48 mm, mounting form 283M1			2LM1
Escutcheon black, handle black			
Legend plate silver, operator module 283M1			FAS2 - 9... (FA number)

Dimensions (mm)									
Product lines	A	B	B1	B2	C1	D1	G1	G2	H
B200-A	48	50	69	88	32	22,5	24,2	3,2	72

C¹⁾ Internal depth, outside of door to top of DIN rail. Metal shaft is not included. Please order separately. See page B6-9.

Base Mounting Switches

sälzer



Product lines
B200-A/ -D/ -E

Base mounting switch
Operator module of next size

Door interlock
Metal shaft extension

Single hole mounting
ø 22,5 mm front

285M1 (IP66)

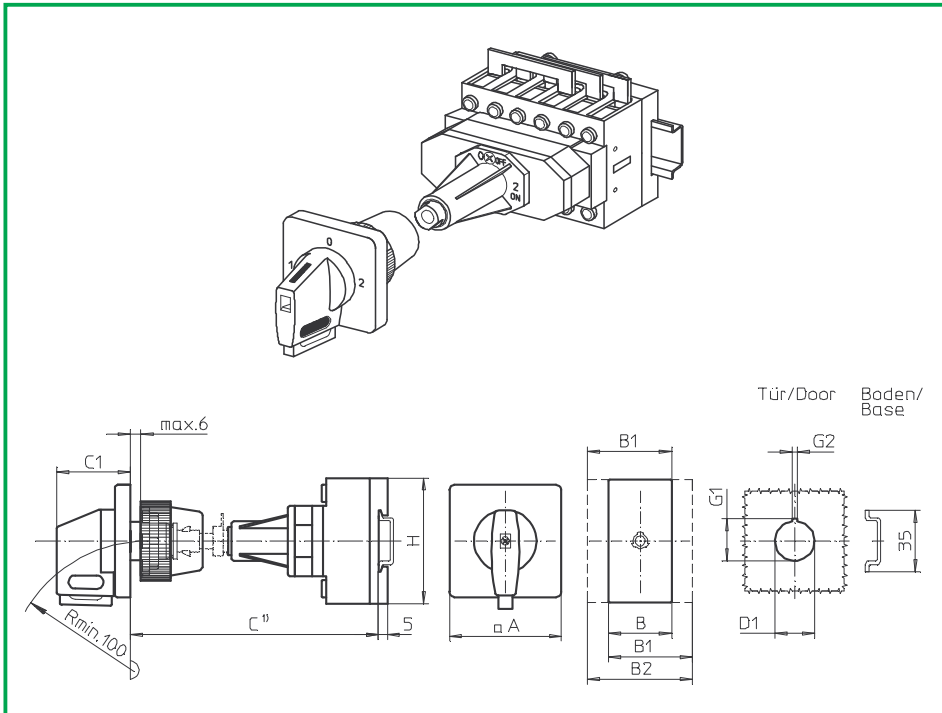
Complete switch	Poles	Product lines	Rated data (IEC 60947)			Order code number
			Operational current I _e	Operational power at 380–440 V		
			AC-21A A	AC-23A kW	AC-3 kW	
ON-OFF Switches Switching angle 90°	3 ... 8	B200-A/ -D	50 63	18,5 22	15 18,5	B250 - 41 ... - 285M1 B263 - 41 ... - 285M1
Changeover with OFF Switching angle 90°	3 ... 4	B200-E	50 63	18,5 22	15 18,5	B250 - 71 ... - 285M1 B263 - 71 ... - 285M1

SMD modules for basic switch A02		
Mounting form module for 285M1	B200-A/ -D B200-E	BFB2 - 281 BFC2 - 281
M-operator module 64 x 64 mm, mounting form 285M1 Escutcheon black, handle black Legend plate silver, operator module 285M1	B200-A/ -D/ -E	2NM1 FAS4 - 9... (FA number)

Dimensions (mm)									
Product lines	A	B	B1	B2	C1	D1	G1	G2	H
B200-A	64	50	69	88	39	22,5	24,2	3,2	72
B200-D	64	100	119	138	39	22,5	24,2	3,2	72
B200-E	64	100	119	138	39	22,5	24,2	3,2	72

C¹⁾ Internal depth, outside of door to top of DIN rail. Metal shaft is not included. Please order separately. See page B6-9.

Base Mounting Switches



Product line
B200-E

Base mounting switch
Operator module of next size

Door interlock
Metal shaft extension

Single hole mounting
ø 22,5 mm front

285V1 (IP66)
291V1 (IP66)

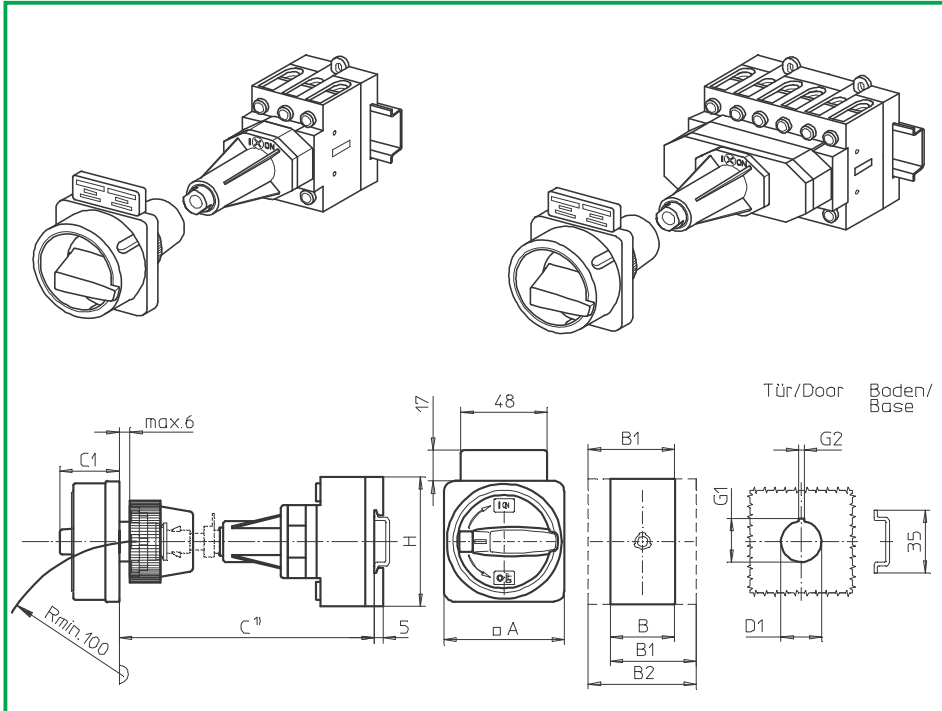
Complete switch	Poles	Product lines	Rated data (IEC 60947)			Order code number
			Operational current I _e	Operational power at 380–440 V		
			AC-21A A	AC-23A kW	AC-3 kW	
Changeover with OFF Switching angle 90° OFF position padlockable 12h	3 ... 4	B200-E	50 63	18,5 22	15 18,5	B250 - 71 ... - 285V1 B263 - 71 ... - 285V1
Changeover with OFF Switching angle 90° 3 positions padlockable (09h/12h/03h)	3 ... 4	B200-E	50 63	18,5 22	15 18,5	B250 - 71 ... - 291V1 B263 - 71 ... - 291V1

SMD modules for basic switch A02						
Mounting form module for 285V1/ 291V1				B200-E		BFC2 - 281
V-operator module 64 x 64 mm, mounting form 285V1 Escutcheon black, handle black						2NV1 - 12
V-operator module 64 x 64 mm, mounting form 291V1 Escutcheon black, handle black						2NV1 - 99
Legend plate silver, operator modules 285V1/ 291V1						FAS4 - 9... (FA number)

Dimensions (mm)									
Product lines	A	B	B1	B2	C1	D1	G1	G2	H
B200-E	64	100	119	138	39	22,5	24,2	3,2	72

C¹⁾ Internal depth, outside of door to top of DIN rail. Metal shaft is not included. Please order separately. See page B6-9.

Base Mounting Switches



Product lines
B200-A/ -D

Base mounting switch

Door interlock
Metal shaft extension

Single hole mounting
ø 22,5 mm front

281M1 (IP66)
281M4 (IP66)

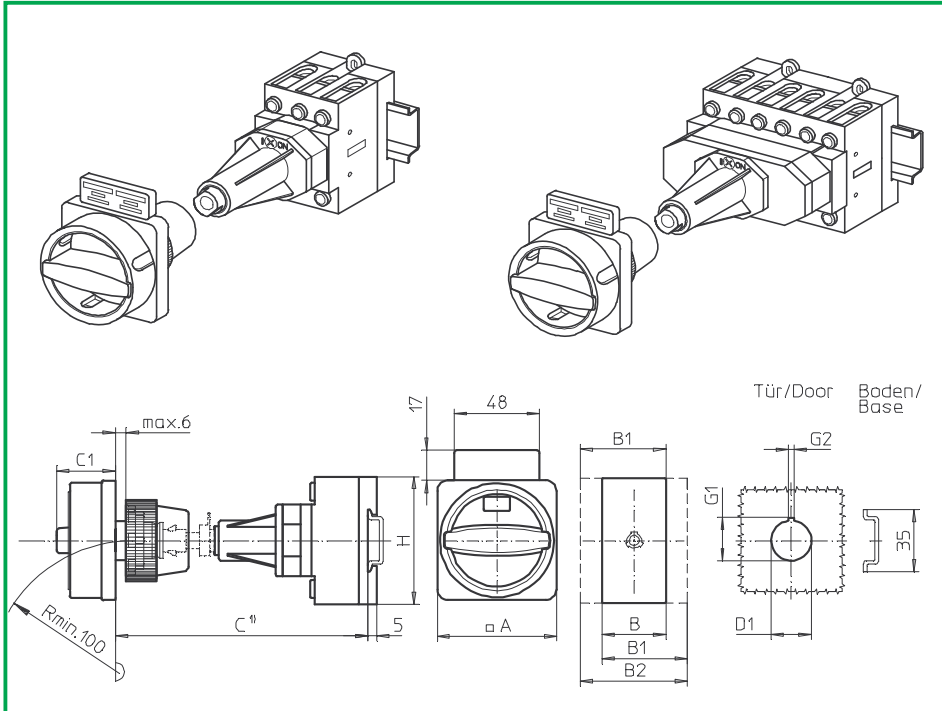
Complete switch	Poles	Product lines	Rated data (IEC 60947)			Order code number
			Operational current I _e	Operational power at 380–440 V		
			AC-21A A	AC-23A kW	AC-3 kW	
Main Switches OFF position padlockable 09h	3 ... 8	B200-A/ -D	50 63	18,5 22	15 18,5	B250 - 41 ... - 281M1 B263 - 41 ... - 281M1
Main/Emergency-Off Switches OFF position padlockable 09h	3 ... 8	B200-A/ -D	50 63	18,5 22	15 18,5	B250 - 41 ... - 281M4 B263 - 41 ... - 281M4

SMD modules for basic switch A02			
Mounting form module for 281M.		B200-A/ -D	BFB2 - 281
M-padlock device 67 x 67 mm, mounting form 281M1 Escutcheon black, padlockable handle black			2GM1
M-padlock device 67 x 67 mm, mounting form 281M4 Escutcheon yellow, padlockable handle red			2GM4
Additional top escutcheon plate			FAZ2 - 8041

Dimensions (mm)									
Product lines	A	B	B1	B2	C1	D1	G1	G2	H
B200-A	67	50	69	88	38	22,5	24,2	3,2	72
B200-D	67	100	119	138	38	22,5	24,2	3,2	72

C¹⁾ Internal depth, outside of door to top of DIN rail. Metal shaft is not included. Please order separately. See page B6-9.

Base Mounting Switches



Product lines
B200-A/ -D

Base mounting switch

Door interlock
Metal shaft extension

Single hole mounting
ø 22,5 mm front

281N1 (IP66)
281N4 (IP66)

Complete switch	Poles	Product lines	Rated data (IEC 60947)			Order code number
			Operational current I _e	Operational power at 380–440 V		
			AC-21A A	AC-23A kW	AC-3 kW	
Main Switches OFF position padlockable 09h	3 ... 8	B200-A/ -D	50 63	18,5 22	15 18,5	B250 - 41 ... - 281N1 B263 - 41 ... - 281N1
Main/Emergency-Off Switches OFF position padlockable 09h	3 ... 8	B200-A/ -D	50 63	18,5 22	15 18,5	B250 - 41 ... - 281N4 B263 - 41 ... - 281N4

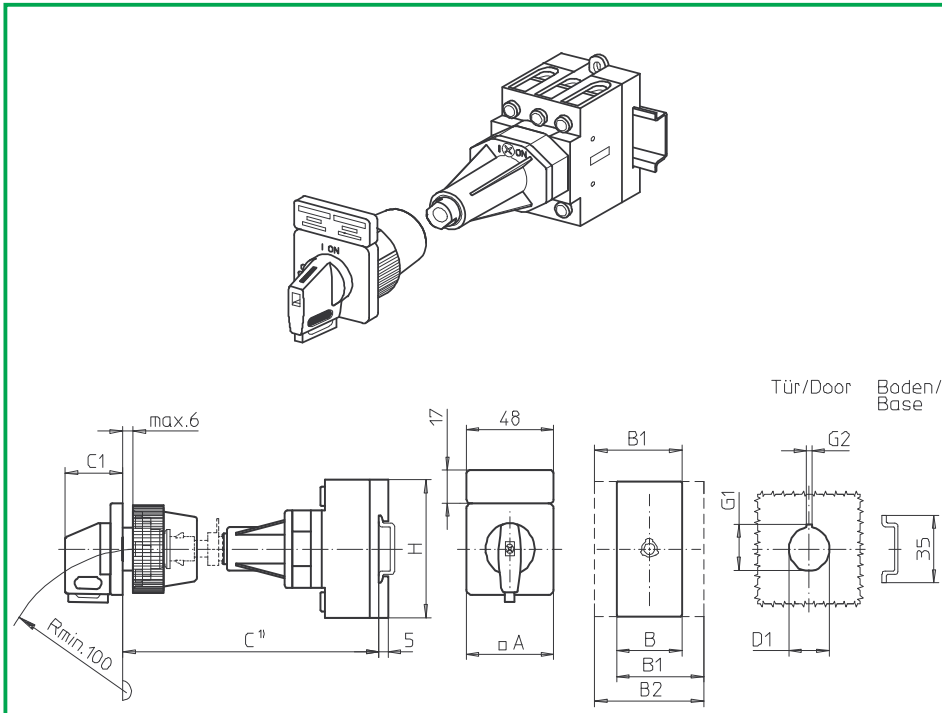
SMD modules for basic switch A02			
Mounting form module for 281N.		B200-A/ -D	BFB2 - 281
N-padlock device 67 x 67 mm, mounting form 281N1 Escutcheon black, padlockable handle black			2GN1
N-padlock device 67 x 67 mm, mounting form 281N4 Escutcheon yellow, padlockable handle red			2GN4
Additional top escutcheon plate			FAZ2 - 8041

Dimensions (mm)									
Product lines	A	B	B1	B2	C1	D1	G1	G2	H
B200-A	67	50	69	88	33	22,5	24,2	3,2	72
B200-D	67	100	119	138	33	22,5	24,2	3,2	72

C¹⁾ Internal depth, outside of door to top of DIN rail. Metal shaft is not included. Please order separately. See page B6-9.

Base Mounting Switches

sälzer



Product line
B200-A

Base mounting switch

Door interlock
Metal shaft extension

Single hole mounting
ø 22,5 mm front

281V1 (IP66)
281V4 (IP66)

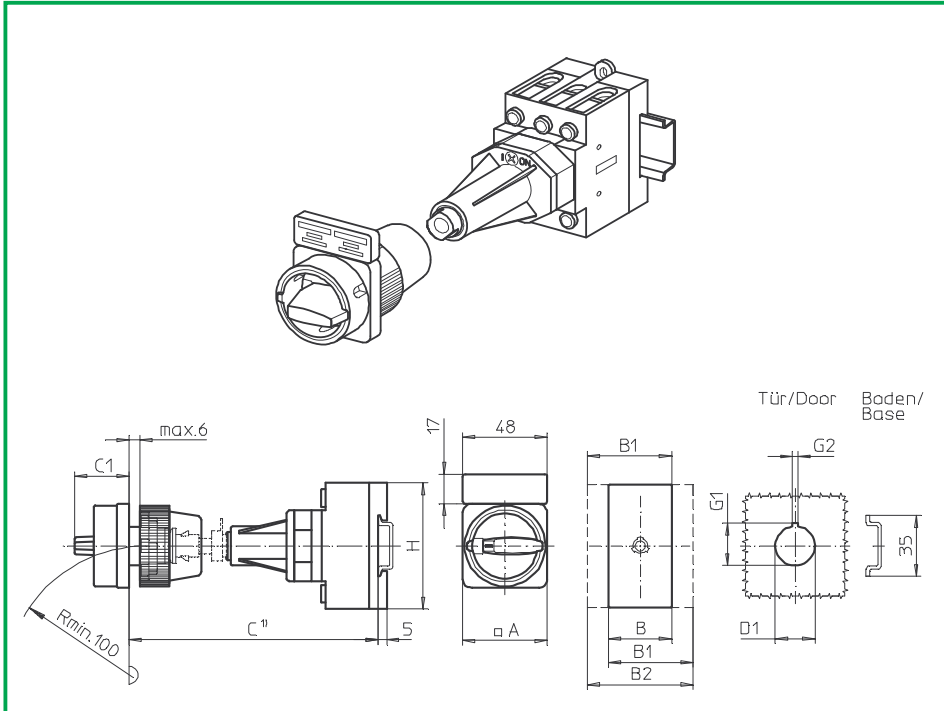
Complete switch	Poles	Product lines	Rated data (IEC 60947)			Order code number
			Operational current I _e	Operational power at 380–440 V		
			AC-21A A	AC-23A kW	AC-3 kW	
Main Switches OFF position padlockable 09h	3 ... 4	B200-A	50 63	18,5 22	15 18,5	B250 - 41 ... - 281V1 B263 - 41 ... - 281V1
Main/Emergency-Off Switches OFF position padlockable 09h	3 ... 4	B200-A	50 63	18,5 22	15 18,5	B250 - 41 ... - 281V4 B263 - 41 ... - 281V4

SMD modules for basic switch A02		
Mounting form module for 281V.	B200-A	BFB2 - 281
V-operator module 48 x 48 mm, mounting form 281V1 Escutcheon black, handle black Legend plate silver, operator module 281V1		2LV1 - 09 FAS2 - 9078
V-operator module 48 x 48 mm, mounting form 281V4 Escutcheon black, handle red Legend plate yellow, operator module 281V4 Additional top escutcheon plate		2LV4 - 09 FBS2 - 9078 FAZ2 - 8041

Dimensions (mm)									
Product lines	A	B	B1	B2	C1	D1	G1	G2	H
B200-A	48	50	69	88	32	22,5	24,2	3,2	72

C¹⁾ Internal depth, outside of door to top of DIN rail. Metal shaft is not included. Please order separately. See page B6-9.

Base Mounting Switches



**Product lines
B200-A**

Base mounting switch

Door interlock

Metal shaft extension

Single hole mounting

ø 22,5 mm front

287M1 (IP66)

287M4 (IP66)

Complete switch	Poles	Product lines	Rated data (IEC 60947)			Order code number
			Operational current I _e	Operational power at 380–440 V		
			AC-21A A	AC-23A kW	AC-3 kW	
Main Switches OFF position padlockable 09h	3 ... 4	B200-A	50 63	18,5 22	15 18,5	B250 - 41 ... - 287M1 B263 - 41 ... - 287M1
Main/Emergency-Off Switches OFF position padlockable 09h	3 ... 4	B200-A	50 63	18,5 22	15 18,5	B250 - 41 ... - 287M4 B263 - 41 ... - 287M4

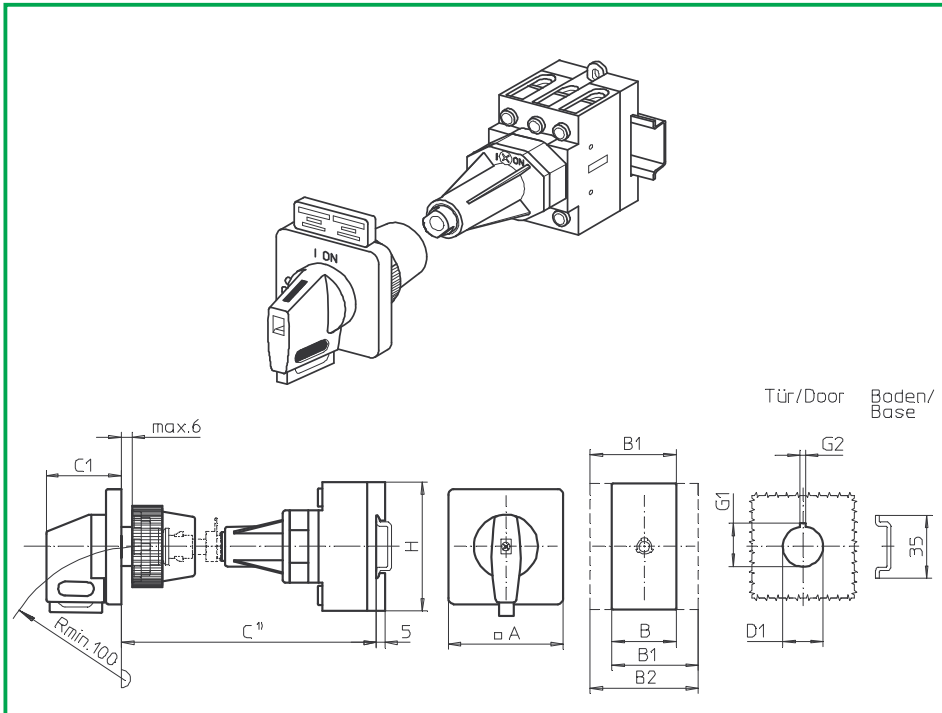
SMD modules for basic switch A02			
Mounting form module for 287M.		B200-A	BFB2 - 281
M-padlock device 48 x 48 mm, mounting form 287M1 Escutcheon black, padlockable handle black			2MM1
M-padlock device 48 x 48 mm, mounting form 287M4 Escutcheon yellow, padlockable handle red			2MM4
Additional top escutcheon plate			FAZZ - 8041

Dimensions (mm)									
Product lines	A	B	B1	B2	C1	D1	G1	G2	H
B200-A	48	50	69	88	31	22,5	24,2	3,2	72

C¹⁾ Internal depth, outside of door to top of DIN rail. Metal shaft is not included. Please order separately. See page B6-9.

Base Mounting Switches

sälzer



Product lines
B200-A/ -D

Base mounting switch
Operator module of next size

Door interlock
Metal shaft extension

Single hole mounting
ø 22,5 mm front

289V1 (IP66)
289V4 (IP66)

Complete switch	Poles	Product lines	Rated data (IEC 60947)			Order code number
			Operational current I _e	Operational power at 380–440 V		
			AC-21A A	AC-23A kW	AC-3 kW	
Main Switches OFF position padlockable 09h	3 ... 8	B200-A/ -D	50 63	18,5 22	15 18,5	B250 - 41 ... - 289V1 B263 - 41 ... - 289V1
Main/Emergency-Off Switches OFF position padlockable 09h	3 ... 8	B200-A/ -D	50 63	18,5 22	15 18,5	B250 - 41 ... - 289V4 B263 - 41 ... - 289V4

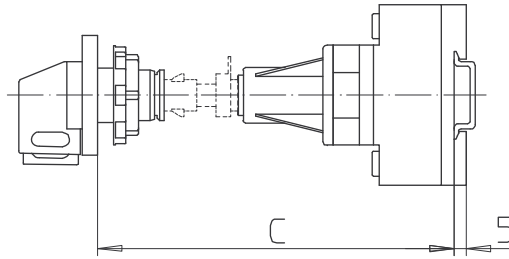
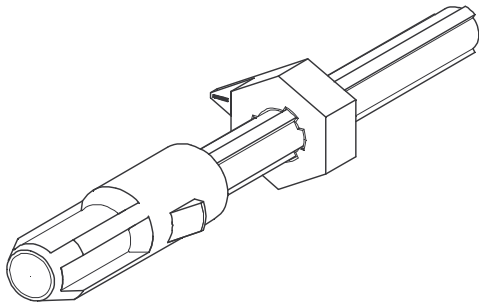
SMD modules for basic switch A02	Product lines	Order code number
Mounting form module for 289V.	B200-A/ -D	BFB2 - 281
V-operator module 64 x 64 mm, mounting form 289V1 Escutcheon black, handle black		2NV1 - 09
Legend plate silver, operator module 289V1		FAS4 - 9078
V-operator module 64 x 64 mm, mounting form 289V4 Escutcheon black, handle red		2NV4 - 09
Legend plate yellow, operator module 289V4 Additional top escutcheon plate		FBS4 - 9078 FAZ2 - 8041

Dimensions (mm)									
Product lines	A	B	B1	B2	C1	D1	G1	G2	H
B200-A	64	50	69	88	39	22,5	24,2	3,2	72
B200-D	64	100	119	138	39	22,5	24,2	3,2	72

C¹⁾ Internal depth, outside of door to top of DIN rail. Metal shaft is not included. Please order separately. See page B6-9.

Metal shaft extension

sälzer



Product lines
B200-A/ -D/ -E

Base mounting
switch

Door interlock
Metal shaft extension

Single hole mounting
ø 22,5 mm front

AVA8 - . . .

Modular shaft extensions for use with door interlock and single hole mounting ø 22,5 mm front

Dimension C (internal depth, outside of door to top of DIN rail)

B200-A	B200-D/ -E	Order code number
155 ... 173 mm	167 ... 185 mm	AVA8 - 065
174 ... 198 mm	186 ... 210 mm	AVA8 - 090
199 ... 223 mm	211 ... 235 mm	AVA8 - 115
224 ... 248 mm	236 ... 260 mm	AVA8 - 140
249 ... 273 mm	261 ... 285 mm	AVA8 - 165
274 ... 298 mm	286 ... 310 mm	AVA8 - 190
299 ... 323 mm	311 ... 335 mm	AVA8 - 215
324 ... 348 mm	336 ... 360 mm	AVA8 - 240
349 ... 373 mm	361 ... 385 mm	AVA8 - 265
374 ... 398 mm	386 ... 419 mm	AVA8 - 290
399 ... 423 mm	411 ... 435 mm	AVA8 - 315
424 ... 448 mm	436 ... 460 mm	AVA8 - 340
449 ... 473 mm	461 ... 485 mm	AVA8 - 365
474 ... 498 mm	486 ... 510 mm	AVA8 - 390
499 ... 523 mm	511 ... 535 mm	AVA8 - 415
524 ... 548 mm	536 ... 560 mm	AVA8 - 440
549 ... 573 mm	561 ... 585 mm	AVA8 - 465
574 ... 598 mm	586 ... 610 mm	AVA8 - 490
599 ... 623 mm	611 ... 635 mm	AVA8 - 515
624 ... 643 mm	636 ... 660 mm	AVA8 - 540

Base Mounting Switches

sälzer

**Product line
B200-A**

Base mounting switch

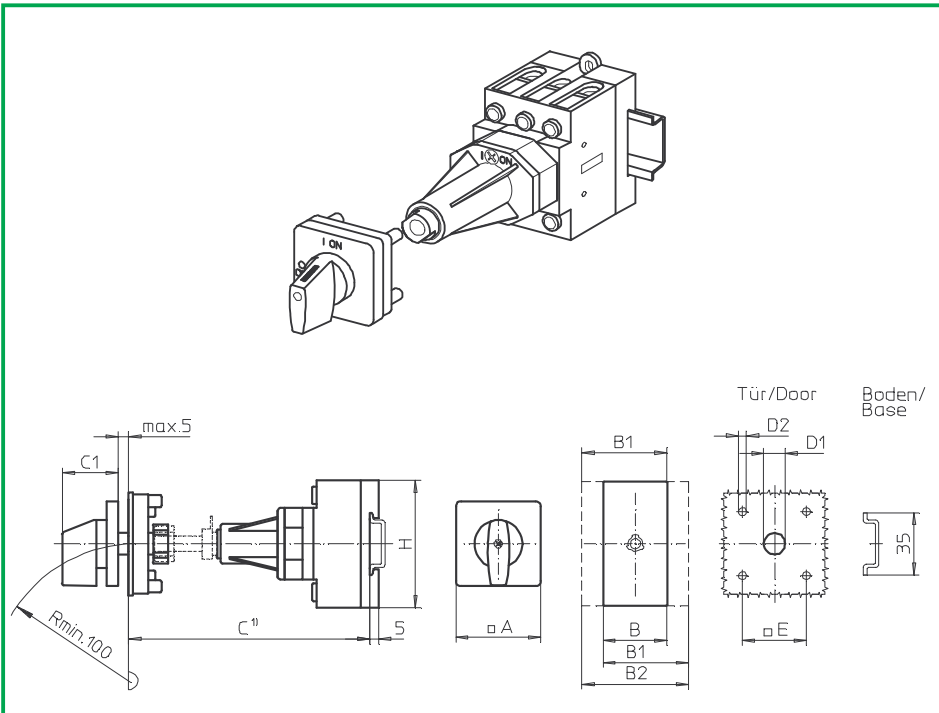
Door clutch

Metal shaft extension

Four hole mounting

36 x 36 mm front

441M1 (IP66)



Complete switch	Poles	Product lines	Rated data (IEC 60947)			Order code number
			Operational current I _e	Operational power at 380–440 V		
			AC-21A A	AC-23A kW	AC-3 kW	
ON-OFF Switches Switching angle 90°	3 ... 4	B200-A	50 63	18,5 22	15 18,5	B250 - 41 ... - 441M1 B263 - 41 ... - 441M1

SMD modules for basic switch A02

Mounting form module for 441M1

B200-A

BFB2 - 441

M-operator module 48 x 48 mm, mounting form 441M1
Escutcheon black, handle black

2AM1

Legend plate silver, operator module 441M1

FAS2 - 9... (FA number)

Dimensions (mm)

Product lines	A	B	B1	B2	C1	D1	D2	E	H
B200-A	48	50	69	88	32	15	4,5	36	72

C¹⁾ Metal shaft is not included. Please order separately. See page B7-11.

Base Mounting Switches

sälzer

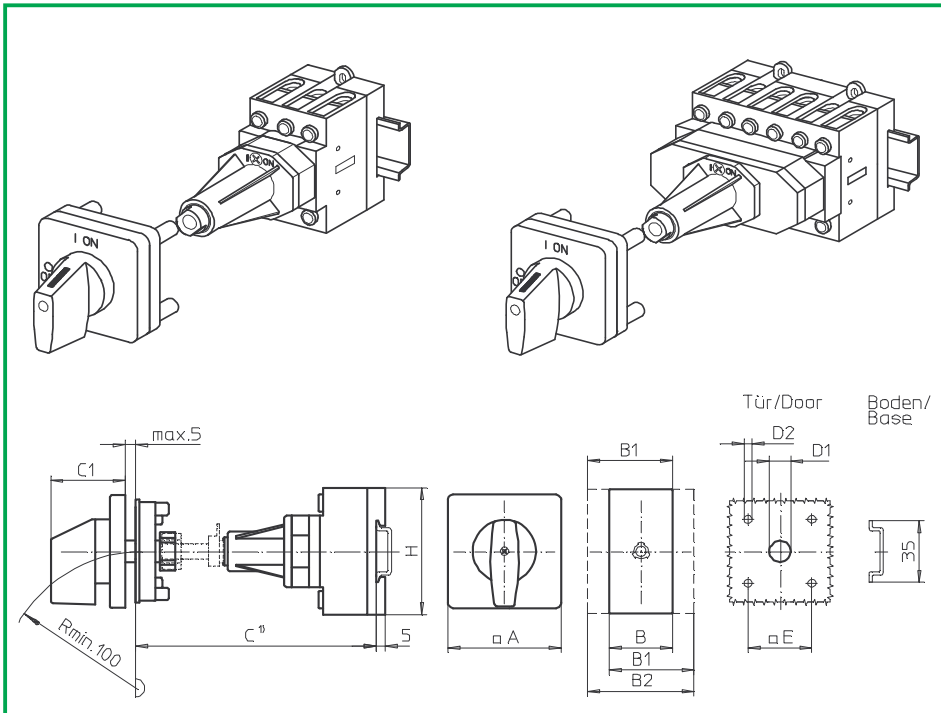
Product lines
B200-A/ -D/ -E

Base mounting switch
Operator module of next size

Door clutch
Metal shaft extension

Four hole mounting
48 x 48 mm front

447M1 (IP66)



Complete switch	Poles	Product lines	Rated data (IEC 60947)			Order code number
			Operational current I _e	Operational power at 380–440 V		
			AC-21A A	AC-23A kW	AC-3 kW	
ON-OFF Switches Switching angle 90°	3 ... 8	B200-A/ -D	50 63	18,5 22	15 18,5	B250 - 41 ... - 447M1 B263 - 41 ... - 447M1
Changeover with OFF Switching angle 90°	3 ... 4	B200-E	50 63	18,5 22	15 18,5	B250 - 71 ... - 447M1 B263 - 71 ... - 447M1

SMD modules for basic switch A02		
Mounting form module for 447M1	B200-A/ -D B200-E	BFB2 - 447 BFC2 - 447
M-operator module 64 x 64 mm, mounting form 447M1 Escutcheon black, handle black Legend plate silver, operator module 447M1	B200-A/-D/ -E	4AM1 FAS4 - 9... (FA number)

Dimensions (mm)									
Product lines	A	B	B1	B2	C1	D1	D2	E	H
B200-A	64	50	69	88	39	15	5	48	72
B200-D	64	100	119	138	39	15	5	48	72
B200-E	64	100	119	138	39	15	5	48	72

C¹⁾ Metal shaft is not included. Please order separately. See page B7-11.

Base Mounting Switches

sälzer

Product line
B200-E

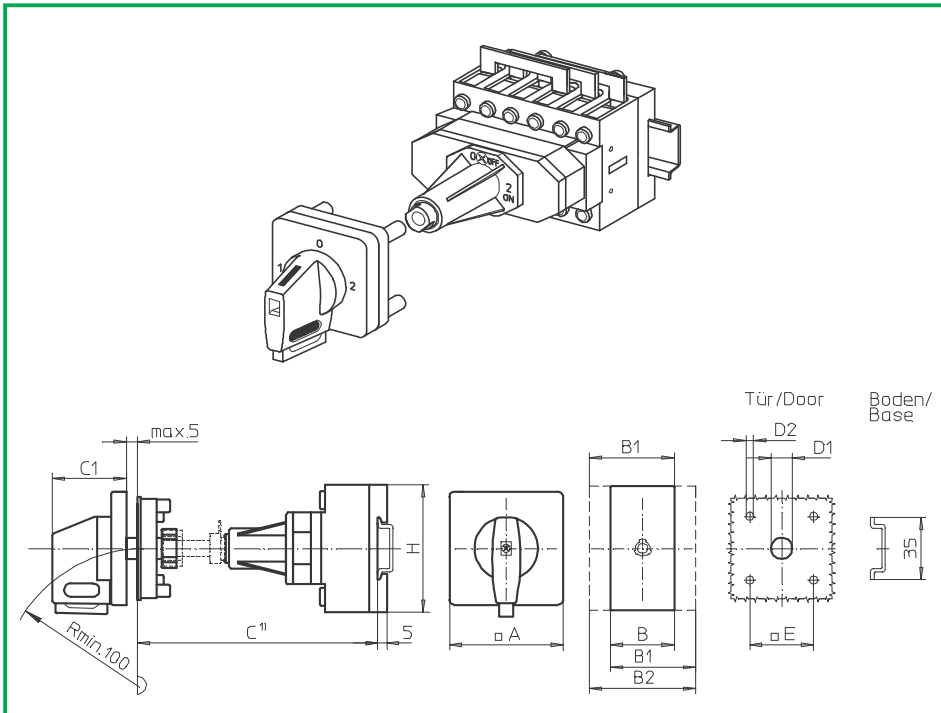
Base mounting switch
Operator module of next size

Door clutch
Metal shaft extension

Four hole mounting
48 x 48 mm front

447V1 (IP66)

446V1 (IP66)



Complete switch	Poles	Product lines	Rated data (IEC 60947)			Order code number
			Operational current I _e	Operational power at 380–440 V		
			AC-21A A	AC-23A kW	AC-3 kW	
Changeover with OFF Switching angle 90° OFF position padlockable 12h	3 ... 4	B200-E	50	18,5	15	B250 - 71 ... - 447V1
			63	22	18,5	B263 - 71 ... - 447V1
Changeover with OFF Switching angle 90° 3 positions padlockable (09h/12h/03h)	3 ... 4	B200-E	50	18,5	15	B250 - 71 ... - 446V1
			63	22	18,5	B263 - 71 ... - 446V1

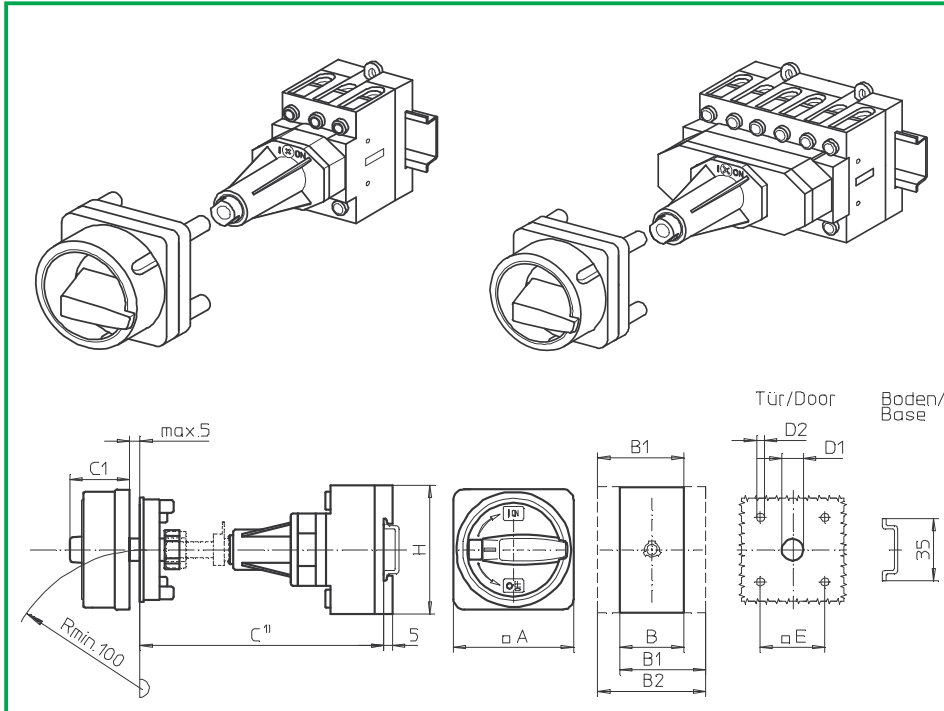
SMD modules for basic switch A02						
Mounting form module for 447V1/ 446V1				B200-E		BFC2 - 447
V-operator module 64 x 64 mm, mounting form 447V1 Escutcheon black, handle black						4AV1 - 12
V-operator module 64 x 64 mm, mounting form 446V1 Escutcheon black, handle black						4AV1 - 99
Legend plate silver, operator modules 447V1/ 446V1						FAS4 - (FA number)

Dimensions (mm)									
Product lines	A	B	B1	B2	C1	D1	D2	E	H
B200-E	64	100	119	138	39	15	5	48	72

C¹⁾ Metal shaft is not included. Please order separately. See page B7-11.

Base Mounting Switches

sälzer



Product lines
B200-A/ -D

Base mounting switch

Door clutch

Metal shaft extension

Four hole mounting

36 x 36 mm front

432M1 (IP66)

432M4 (IP66)

Complete switch	Poles	Product lines	Rated data (IEC 60947)			Order code number
			Operational current I _e	Operational power at 380–440 V		
			AC-21A A	AC-23A kW	AC-3 kW	
Main Switches OFF position padlockable 09h	3 ... 8	B200-A/ -D	50 63	18,5 22	15 18,5	B250 - 41 ... - 432M1 B263 - 41 ... - 432M1
Main/Emergency-Off Switches OFF position padlockable 09h	3 ... 8	B200-A/ -D	50 63	18,5 22	15 18,5	B250 - 41 ... - 432M4 B263 - 41 ... - 432M4

SMD modules for basic switch A02

Mounting form module for 432M.

B200-A/ -D

BFB2 - 432

M-padlock device 67 x 67 mm, mounting form 432M1
Escutcheon black, padlockable handle black

2CM1

M-padlock device 67 x 67 mm, mounting form 432M4
Escutcheon yellow, padlockable handle red

2CM4

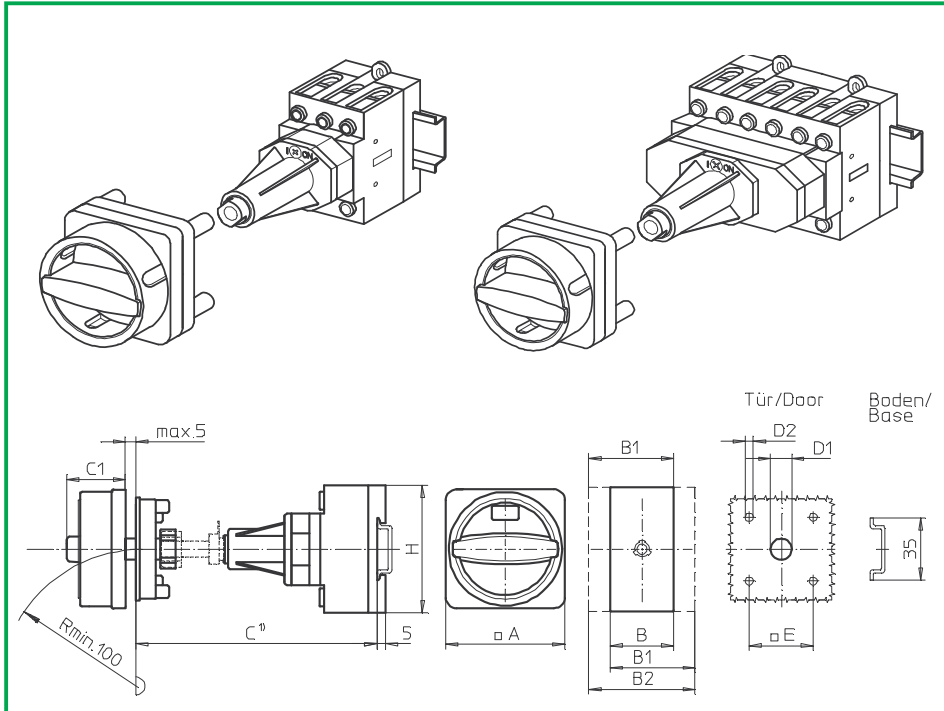
Dimensions (mm)

Product lines	A	B	B1	B2	C1	D1	D2	E	H
B200-A	67	50	69	88	38	15	4,5	36	72
B200-D	67	100	119	138	38	15	4,5	36	72

C¹⁾ Metal shaft is not included. Please order separately. See page B7-11.

Base Mounting Switches

sälzer



Product lines
B200-A/ -D

Base mounting switch

Door clutch

Metal shaft extension

Four hole mounting

36 x 36 mm front

432N1 (IP66)

432N4 (IP66)

Complete switch	Poles	Product lines	Rated data (IEC 60947)			Order code number
			Operational current I _e	Operational power at 380–440 V		
			AC-21A A	AC-23A kW	AC-3 kW	
Main Switches OFF position padlockable 09h	3 ... 8	B200-A/ -D	50 63	18,5 22	15 18,5	B250 - 41 ... - 432N1 B263 - 41 ... - 432N1
Main/Emergency-Off Switches OFF position padlockable 09h	3 ... 8	B200-A/ -D	50 63	18,5 22	15 18,5	B250 - 41 ... - 432N4 B263 - 41 ... - 432N4

SMD modules for basic switch A02

Mounting form module for 432N.

B200-A/ -D

BFB2 - 432
2CN1

N-padlock device 67 x 67 mm, mounting form 432N1
Escutcheon black, padlockable handle black

2CN4

N-padlock device 67 x 67 mm, mounting form 432N4
Escutcheon yellow, padlockable handle red

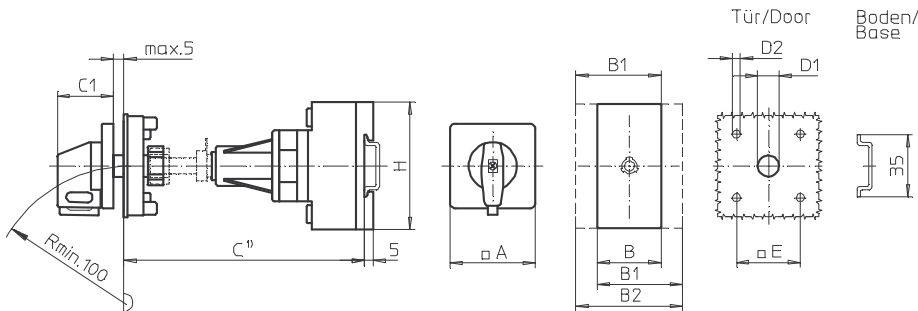
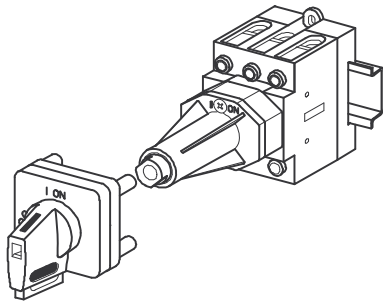
Dimensions (mm)

Product lines	A	B	B1	B2	C1	D1	D2	E	H
B200-A	67	50	69	88	33	15	4,5	36	72
B200-D	67	100	119	138	33	15	4,5	36	72

C¹⁾ Metal shaft is not included. Please order separately. See page B7-11.

Base Mounting Switches

sälzer



Product line
B200-A

Base mounting switch

Door clutch

Metal shaft extension

Four hole mounting

36 x 36 mm front

432V1 (IP66)

432V4 (IP66)

Complete switch	Poles	Product lines	Rated data (IEC 60947)			Order code number
			Operational current I _e	Operational power at 380–440 V		
			AC-21A A	AC-23A kW	AC-3 kW	
Main Switches OFF position padlockable 09h	3 ... 4	B200-A	50 63	18,5 22	15 18,5	B250 - 41 ... - 432V1 B263 - 41 ... - 432V1
Main/Emergency-Off Switches OFF position padlockable 09h	3 ... 4	B200-A	50 63	18,5 22	15 18,5	B250 - 41 ... - 432V4 B263 - 41 ... - 432V4

SMD modules for basic switch A02

Mounting form module for 432V.

B200-A

BFB2 - 441

V-operator module 48 x 48 mm, mounting form 432V1
Escutcheon black, handle black

2AV1 - 09

Legend plate silver, operator module 432V1

FAS2 - 9078

V-operator module 48 x 48 mm, mounting form 432V4
Escutcheon black, handle red

2AV4 - 09

Legend plate yellow, operator module 432V4

FBS2 - 9078

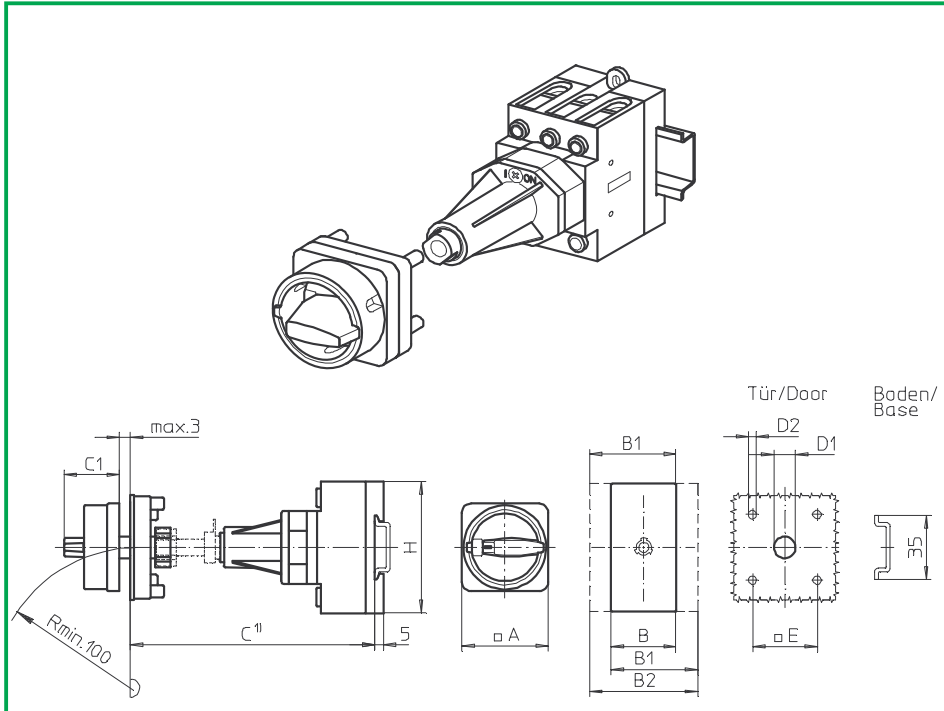
Dimensions (mm)

Product lines	A	B	B1	B2	C1	D1	D2	E	H
B200-A	48	50	69	88	32	15	4,5	36	72

C¹⁾ Metal shaft is not included. Please order separately. See page B7-11.

Base Mounting Switches

sälzer



**Product line
B200-A**

Base mounting switch

Door clutch
Metal shaft extension

Four hole mounting
36 x 36 mm front

431M1 (IP66)
431M4 (IP66)

Complete switch	Poles	Product lines	Rated data (IEC 60947)			Order code number
			Operational current I _e	Operational power at 380–440 V		
			AC-21A A	AC-23A kW	AC-3 kW	
Main Switches OFF position padlockable 09h	3 ... 4	B200-A	50 63	18,5 22	15 18,5	B250 - 41 ... - 432M1 B263 - 41 ... - 431M1
Main/Emergency-Off Switches OFF position padlockable 09h	3 ... 4	B200-A	50 63	18,5 22	15 18,5	B250 - 41 ... - 431M4 B263 - 41 ... - 431M4

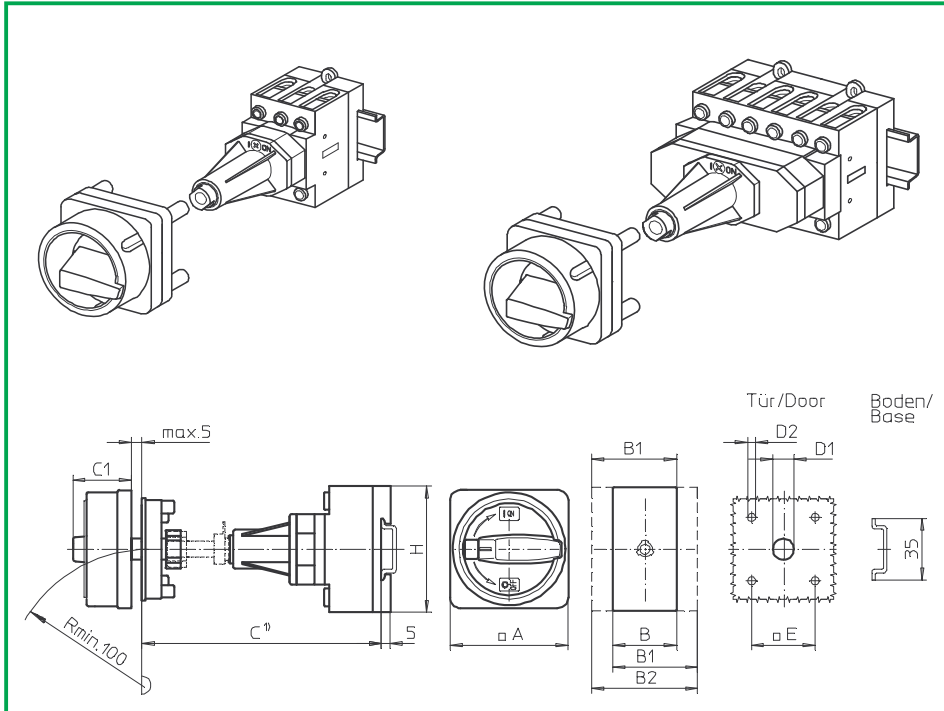
SMD modules for basic switch A02						
Mounting form module for 431M.				B200-A		BFB2 - 441
M-padlock device 48 x 48 mm, mounting form 431M1 Escutcheon black, padlockable handle black						2BM1
M-padlock device 48 x 48 mm, mounting form 431M4 Escutcheon yellow, padlockable handle red						2BM4

Dimensions (mm)									
Product lines	A	B	B1	B2	C1	D1	D2	E	H
B200-A	48	50	69	88	31	15	4,5	36	72

C¹⁾ Metal shaft is not included. Please order separately. See page B7-11.

Base Mounting Switches

sälzer



Product lines
B200-A/ -D

Base mounting switch
Operator module of next size

Door clutch
Metal shaft extension

Four hole mounting
48 x 48 mm front

437M1 (IP66)
437M4 (IP66)

Complete switch	Poles	Product lines	Rated data (IEC 60947)			Order code number
			Operational current I _e	Operational power at 380–440 V		
			AC-21A A	AC-23A kW	AC-3 kW	
Main Switches OFF position padlockable 09h	3 ... 8	B200-A/ -D	50 63	18,5 22	15 18,5	B250 - 41 ... - 437M1 B263 - 41 ... - 437M1
Main/Emergency-Off Switches OFF position padlockable 09h	3 ... 8	B200-A/ -D	50 63	18,5 22	15 18,5	B250 - 41 ... - 437M4 B263 - 41 ... - 437M4

SMD modules for basic switch A02

Mounting form module for 437M.

B200-A/ -D

BFB2 - 437

M-padlock device 67 x 67 mm, mounting form 437M1
Escutcheon black, padlockable handle black

4BM1

M-padlock device 67 x 67 mm, mounting form 437M4
Escutcheon yellow, padlockable handle red

4BM4

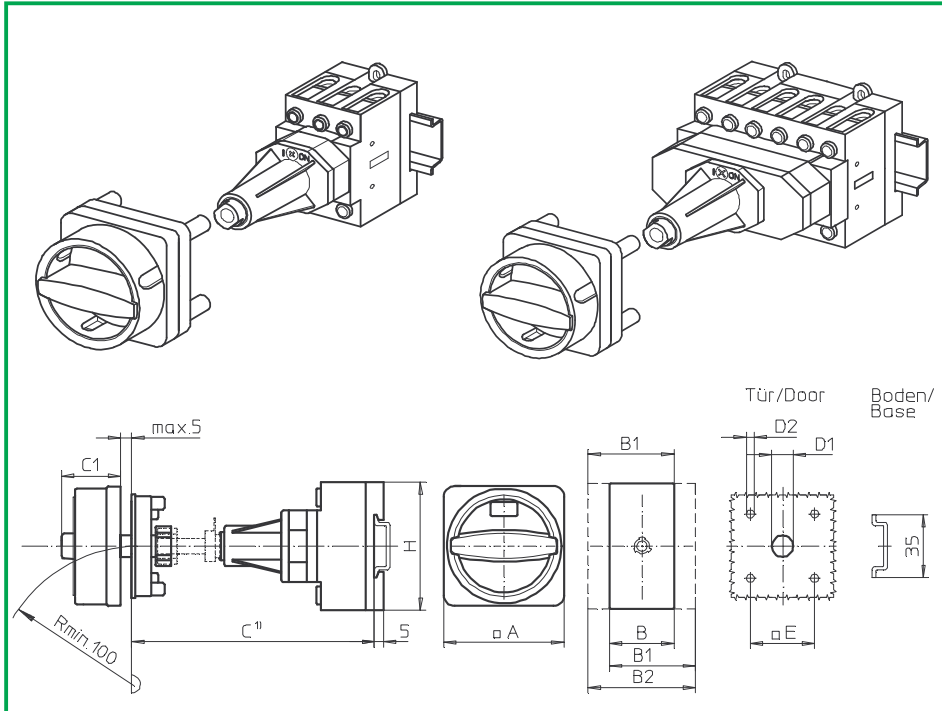
Dimensions (mm)

Product lines	A	B	B1	B2	C1	D1	D2	E	H
B200-A	67	50	69	88	38	15	5	48	72
B200-D	67	100	119	138	38	15	5	48	72

C¹⁾ Metal shaft is not included. Please order separately. See page B7-11.

Base Mounting Switches

sälzer



Product lines
B200-A/ -D

Base mounting switch
Operator module of next size

Door clutch
Metal shaft extension

Four hole mounting
48 x 48 mm front

437N1 (IP66)
437N4 (IP66)

Complete switch	Poles	Product lines	Rated data (IEC 60947)			Order code number
			Operational current I _e	Operational power at 380–440 V		
			AC-21A A	AC-23A kW	AC-3 kW	
Main Switches OFF position padlockable 09h	3 ... 8	B200-A/ -D	50 63	18,5 22	15 18,5	B250 - 41 ... - 437N1 B263 - 41 ... - 437N1
Main/Emergency-Off Switches OFF position padlockable 09h	3 ... 8	B200-A/ -D	50 63	18,5 22	15 18,5	B250 - 41 ... - 437N4 B263 - 41 ... - 437N4

SMD modules for basic switch A02

Mounting form module for 237M.

B200-A/ -D

BFB2 - 437

N-padlock device 67 x 67 mm, mounting form 437N1
Escutcheon black, padlockable handle black

4BN1

N-padlock device 67 x 67 mm, mounting form 437N4
Escutcheon yellow, padlockable handle red

4BN4

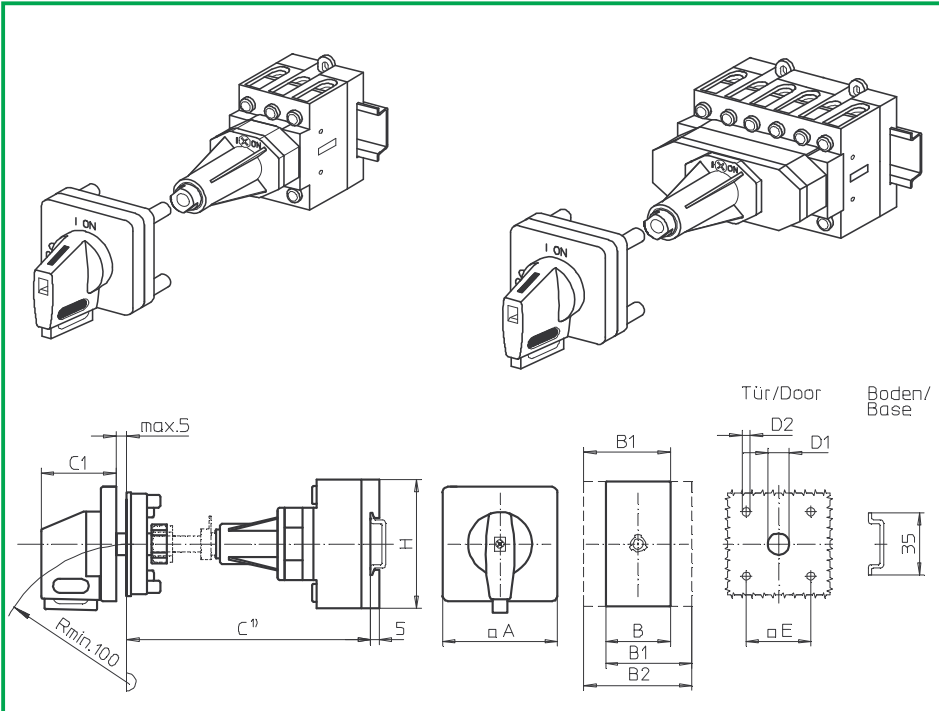
Dimensions (mm)

Product lines	A	B	B1	B2	C1	D1	D2	E	H
B200-A	67	50	69	88	33	15	5	48	72
B200-D	67	100	119	138	33	15	5	48	72

C¹⁾ Metal shaft is not included. Please order separately. See page B7-11.

Base Mounting Switches

sälzer



Product lines
B200-A/ -D

Base mounting switch
Operator module of next size

Door clutch
Metal shaft extension

Four hole mounting
48 x 48 mm front

437V1 (IP66)
437V4 (IP66)

Complete switch	Poles	Product lines	Rated data (IEC 60947)			Order code number
			Operational current I _e	Operational power at 380–440 V		
			AC-21A A	AC-23A kW	AC-3 kW	
Main Switches OFF position padlockable 09h	3 ... 8	B200-A/ -D	50 63	18,5 22	15 18,5	B250 - 41 ... - 437V1 B263 - 41 ... - 437V1
Main/Emergency-Off Switches OFF position padlockable 09h	3 ... 8	B200-A/ -D	50 63	18,5 22	15 18,5	B250 - 41 ... - 437V4 B263 - 41 ... - 437V4

SMD modules for basic switch A02

Mounting form module for 437V.

B200-A/ -D

BFB2 - 447

V-operator module 64 x 64 mm, mounting form 437V1
Escutcheon black, handle black

4AV1 - 09

Legend plate silver, operator module 437V1

FAS4 - 9078

V-operator module 64 x 64 mm, mounting form 437V4
Escutcheon black, handle red

4AV4 - 09

Legend plate yellow, operator module 437V4

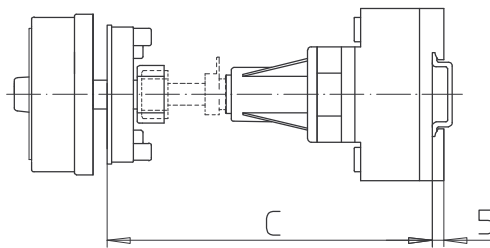
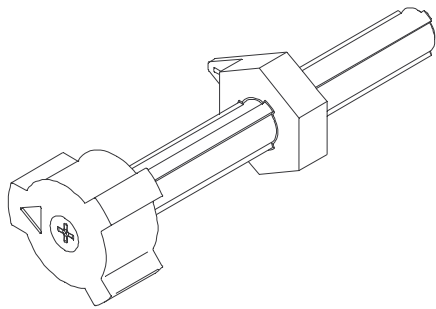
FBS4 - 9078

Dimensions (mm)

Product lines	A	B	B1	B2	C1	D1	D2	E	H
B200-A	64	50	69	88	39	15	5	48	72
B200-D	64	100	119	138	39	15	5	48	72

C¹⁾ Metal shaft is not included. Please order separately. See page B7-11.

Metal shaft extension



Product lines
B200-A/ -D/ -E

Base mounting switch

Door clutch
Metal shaft extension

Four hole mounting
Front

AVB8 - . . .

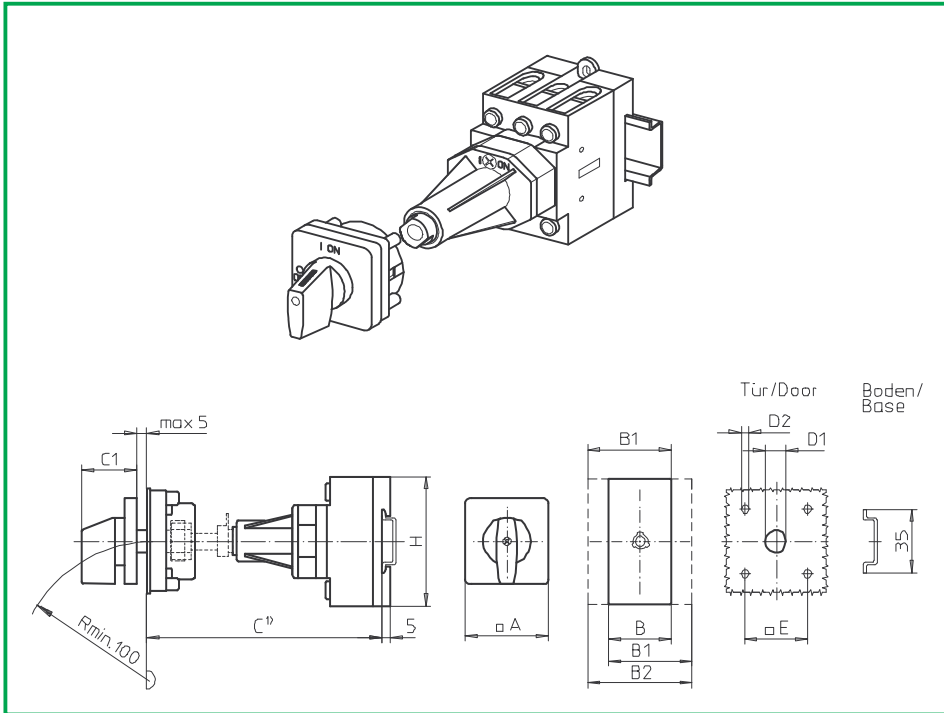
Metal shaft extension for use with door clutch and four hole mounting front

Dimension C (internal depth, inside of door to top of DIN rail)

B200-A	B200-D/ -E	Order code number
140 . . . 164 mm	152 . . . 176 mm	AVB8 - 065
165 . . . 189 mm	177 . . . 201 mm	AVB8 - 090
190 . . . 214 mm	202 . . . 226 mm	AVB8 - 115
215 . . . 239 mm	227 . . . 251 mm	AVB8 - 140
240 . . . 264 mm	252 . . . 276 mm	AVB8 - 165
265 . . . 289 mm	277 . . . 301 mm	AVB8 - 190
290 . . . 314 mm	302 . . . 326 mm	AVB8 - 215
315 . . . 339 mm	327 . . . 351 mm	AVB8 - 240
340 . . . 364 mm	352 . . . 376 mm	AVB8 - 265
365 . . . 389 mm	377 . . . 401 mm	AVB8 - 290
390 . . . 414 mm	402 . . . 426 mm	AVB8 - 315
415 . . . 439 mm	427 . . . 451 mm	AVB8 - 340
440 . . . 464 mm	452 . . . 476 mm	AVB8 - 365
465 . . . 489 mm	477 . . . 501 mm	AVB8 - 390
490 . . . 514 mm	502 . . . 526 mm	AVB8 - 415
515 . . . 539 mm	527 . . . 551 mm	AVB8 - 440
540 . . . 564 mm	552 . . . 576 mm	AVB8 - 465
565 . . . 589 mm	577 . . . 601 mm	AVB8 - 490
590 . . . 614 mm	602 . . . 626 mm	AVB8 - 515
615 . . . 639 mm	627 . . . 651 mm	AVB8 - 540

Base Mounting Switches

sälzer



**Product line
B200-A**

Base mounting switch

Door interlock
Metal shaft extension

Four hole mounting
36 x 36 mm front

481M1 (IP66)

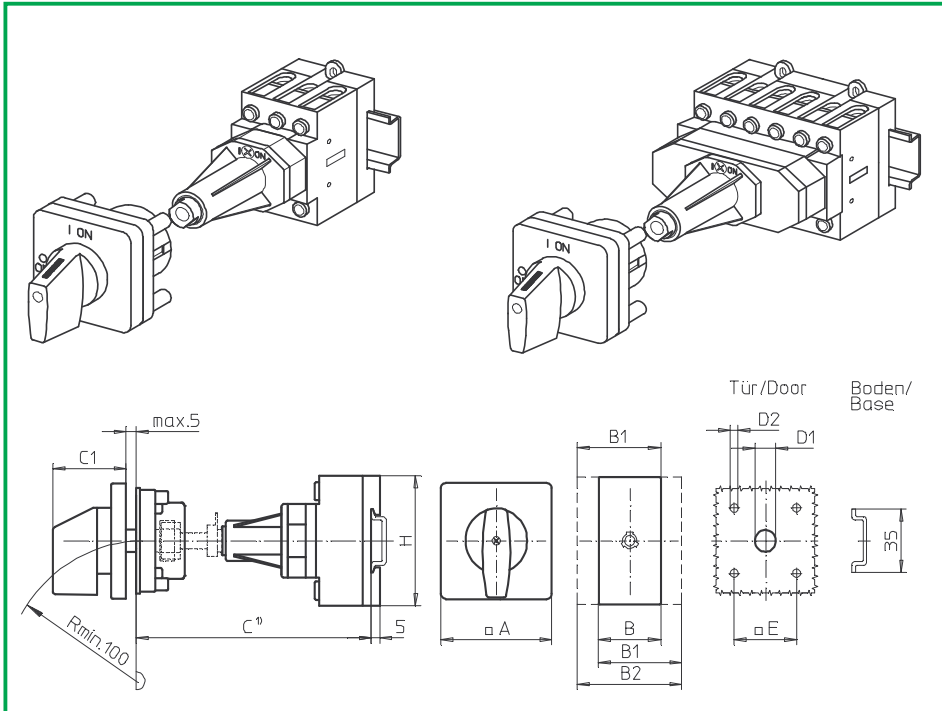
Complete switch	Poles	Product lines	Rated data (IEC 60947)			Order code number
			Operational current I _e	Operational power at 380–440 V		
			AC-21A A	AC-23A kW	AC-3 kW	
ON-OFF Switches Switching angle 90°	3 ... 4	B200-A	50 63	18,5 22	15 18,5	B250 - 41 ... - 481M1 B263 - 41 ... - 481M1

SMD modules for basic switch A02						
Mounting form module for 481M1				B200-A		BFB2 - 481
M-operator module 48 x 48 mm, mounting form 481M1 Escutcheon black, handle black						2AM1
Legend plate silver, operator module 481M1						FAS2 - 9... (FA number)

Dimensions (mm)									
Product lines	A	B	B1	B2	C1	D1	D2	E	H
B200-A	48	50	69	88	32	15	4,5	36	72

C¹⁾ Internal depth, inside of door to top of DIN rail. Metal shaft is not included. Please order separately. See page B8-11.

Base Mounting Switches



Product lines
B200-A/ -D/ -E

Base mounting switch
Operator module of next size

Door interlock
Metal shaft extension

Four hole mounting
48 x 48 mm front

482M1 (IP66)

Complete switch	Poles	Product lines	Rated data (IEC 60947)			Order code number
			Operational current I _e	Operational power at 380–440 V		
			AC-21A A	AC-23A kW	AC-3 kW	
ON-OFF Switches Switching angle 90°	3 ... 8	B200-A/ -D	50 63	18,5 22	15 18,5	B250 - 41 ... - 482M1 B263 - 41 ... - 482M1
Changeover with OFF Switching angle 90°	3 ... 4	B200-E	50 63	18,5 22	15 18,5	B250 - 71 ... - 482M1 B263 - 71 ... - 482M1

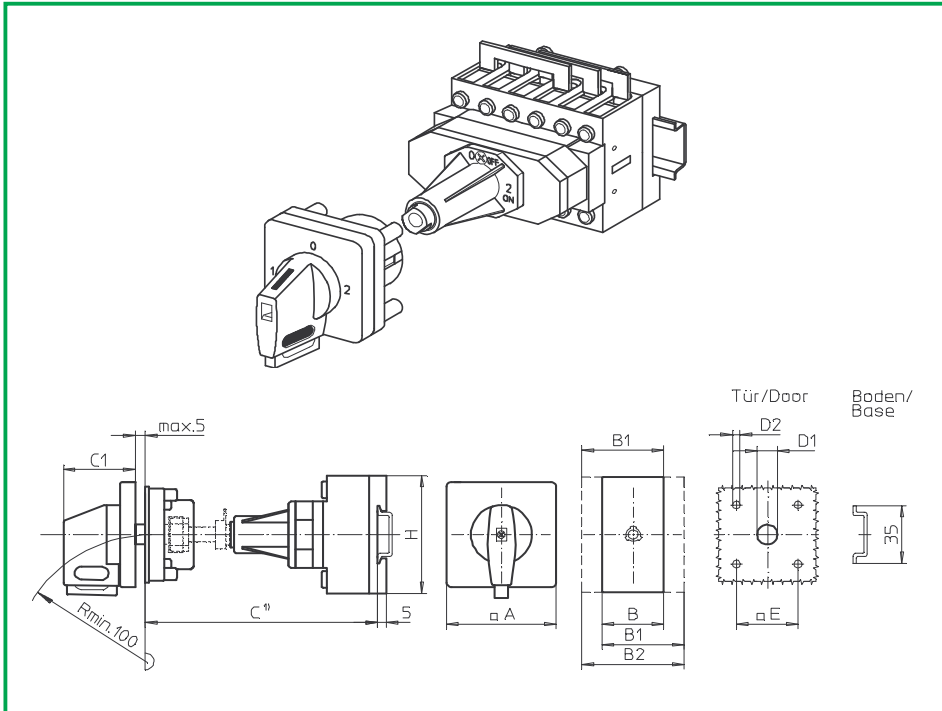
SMD modules for basic switch A02		
Mounting form module for 482M1	B200-A/ -D B200-E	BFB2 - 482 BFC2 - 482
M-operator module 64 x 64 mm, mounting form 482M1 Escutcheon black, handle black Legend plate silver, operator module 482M1	B200-A/-D/ -E	4AM1 FAS4 - 9... (FA number)

Dimensions (mm)									
Product lines	A	B	B1	B2	C1	D1	D2	E	H
B200-A	64	50	69	88	39	15	5	48	72
B200-D	64	100	119	138	39	15	5	48	72
B200-E	64	100	119	138	39	15	5	48	72

C¹⁾ Internal depth, inside of door to top of DIN rail. Metal shaft is not included. Please order separately. See page B8-11.

Base Mounting Switches

sälzer



**Product line
B200-E**

Base mounting switch
Operator module of next size

Door interlock
Metal shaft extension

Four hole mounting
48 x 48 mm front

482V1 (IP66)
449V1 (IP66)

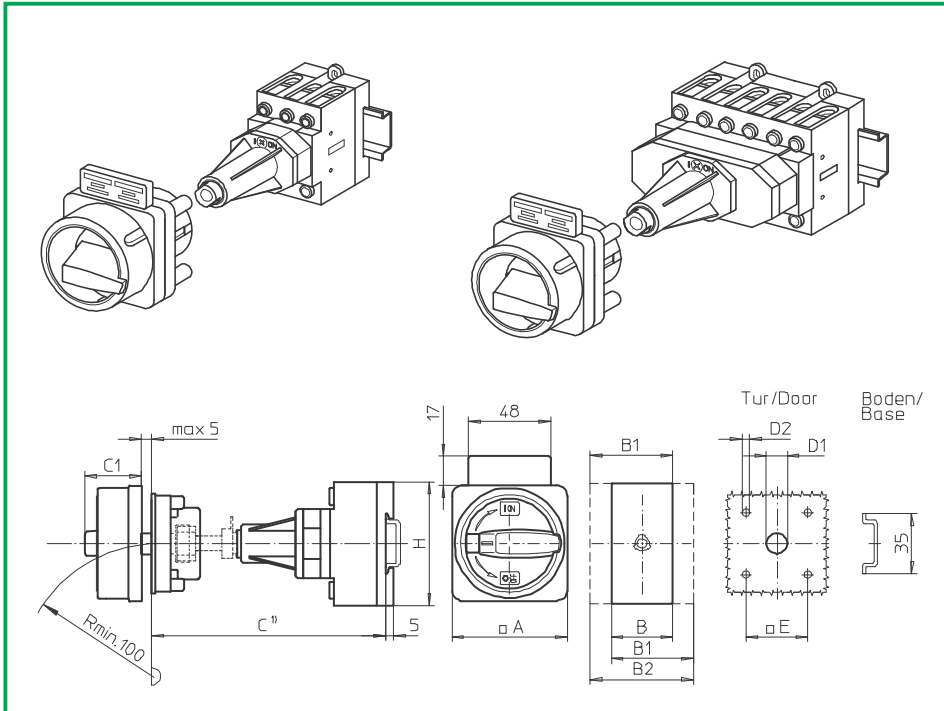
Complete switch	Poles	Product lines	Rated data (IEC 60947)			Order code number
			Operational current I _e	Operational power at 380–440 V		
			AC-21A A	AC-23A kW	AC-3 kW	
Changeover with OFF Switching angle 90° OFF position padlockable 12h	3 ... 4	B200-E	50 63	18,5 22	15 18,5	B250 - 71 ... - 482V1 B263 - 71 ... - 482V1
Changeover with OFF Switching angle 90° 3 positions padlockable (09h/12h/03h)	3 ... 4	B200-E	50 63	18,5 22	15 18,5	B250 - 71 ... - 449V1 B263 - 71 ... - 449V1

SMD modules for basic switch A02			
Mounting form module for 482V1/ 449V1		B200-E	BFC2 - 482
V-operator module 64 x 64 mm, mounting form 482V1 Escutcheon black, handle black			4AV1 - 12
V-operator module 64 x 64 mm, mounting form 449V1 Escutcheon black, handle black			4AV1 - 99
Legend plate silver, operator modules 482V1/ 449V1			FAS4 - 9... (FA number)

Dimensions (mm)									
Product lines	A	B	B1	B2	C1	D1	D2	E	H
B200-E	64	100	119	138	39	15	5	48	72

C¹⁾ Internal depth, inside of door to top of DIN rail. Metal shaft is not included. Please order separately. See page B8-11.

Base Mounting Switches



Product lines
B200-A/ -D

Base mounting switch

Door interlock

Metal shaft extension

Four hole mounting

36 x 36 mm front

483M1 (IP66)

483M4 (IP66)

Complete switch	Poles	Product lines	Rated data (IEC 60947)			Order code number
			Operational current I _e	Operational power at 380–440 V		
			AC-21A A	AC-23A kW	AC-3 kW	
Main Switches OFF position padlockable 09h	3 ... 8	B200-A/ -D	50 63	18,5 22	15 18,5	B250 - 41 ... - 483M1 B263 - 41 ... - 483M1
Main/Emergency-Off Switches OFF position padlockable 09h	3 ... 8	B200-A/ -D	50 63	18,5 22	15 18,5	B250 - 41 ... - 483M4 B263 - 41 ... - 483M4

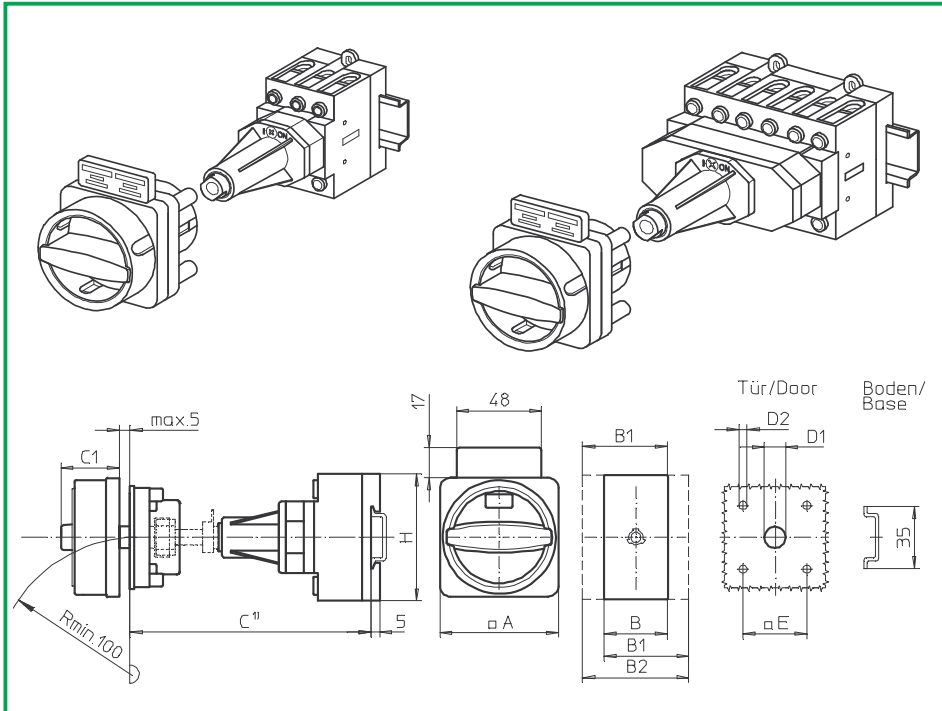
SMD modules for basic switch A02			
Mounting form module for 483M.		B200-A/ -D	BFB2 - 483
M-padlock device 67 x 67 mm, mounting form 483M1 Escutcheon black, padlockable handle black			2CM1
M-padlock device 67 x 67 mm, mounting form 483M4 Escutcheon yellow, padlockable handle red			2CM4
Additional top escutcheon plate			FAZ2 - 8041

Dimensions (mm)									
Product lines	A	B	B1	B2	C1	D1	D2	E	H
B200-A	67	50	69	88	38	15	4,5	36	72
B200-D	67	100	119	138	38	15	4,5	36	72

C¹⁾ Internal depth, inside of door to top of DIN rail. Metal shaft is not included. Please order separately. See page B8-11.

Base Mounting Switches

sälzer



**Product line
B200-A**

Base mounting switch

Door interlock
Metal shaft extension

Four hole mounting
36 x 36 mm front

483N1 (IP66)
483N4 (IP66)

Complete switch	Poles	Product lines	Rated data (IEC 60947)			Order code number
			Operational current I _e	Operational power at 380–440 V		
			AC-21A A	AC-23A kW	AC-3 kW	
Main Switches OFF position padlockable 09h	3 ... 8	B200-A/ -D	50 63	18,5 22	15 18,5	B250 - 41 ... - 483N1 B263 - 41 ... - 483N1
Main/Emergency-Off Switches OFF position padlockable 09h	3 ... 8	B200-A/ -D	50 63	18,5 22	15 18,5	B250 - 41 ... - 483N4 B263 - 41 ... - 483N4

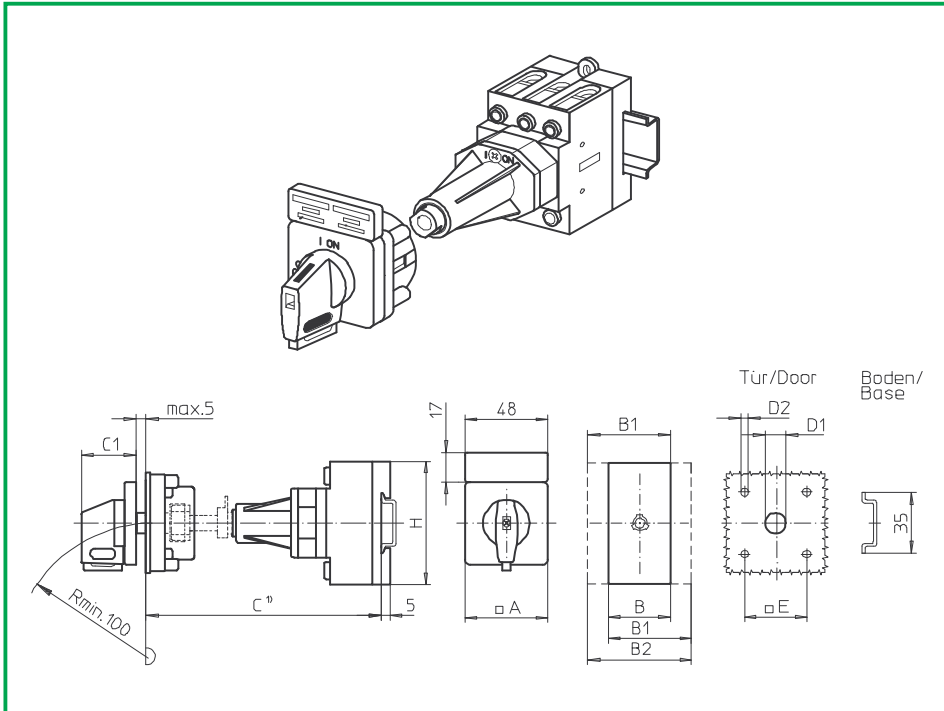
SMD modules for basic switch A02			
Mounting form module for 483N.		B200-A/ -D	BFB2 - 483
N-padlock device 67 x 67 mm, mounting form 483N1 Escutcheon black, padlockable handle black			2CN1
N-padlock device 67 x 67 mm, mounting form 483N4 Escutcheon yellow, padlockable handle red			2CN4
Additional top escutcheon plate			FAZZ - 8041

Dimensions (mm)									
Product lines	A	B	B1	B2	C1	D1	D2	E	H
B200-A	67	50	69	88	33	15	4,5	36	72
B200-D	67	100	119	138	33	15	4,5	36	72

C¹⁾ Internal depth, inside of door to top of DIN rail. Metal shaft is not included. Please order separately. See page B8-11.

Base Mounting Switches

sälzer



Product line
B200-A

Base mounting switch

Door interlock

Metal shaft extension

Four hole mounting

36 x 36 mm front

483V1 (IP66)

483V4 (IP66)

Complete switch	Poles	Product lines	Rated data (IEC 60947)			Order code number
			Operational current I _e	Operational power at 380–440 V		
			AC-21A A	AC-23A kW	AC-3 kW	
Main Switches OFF position padlockable 09h	3 ... 4	B200-A	50 63	18,5 22	15 18,5	B250 - 41 ... - 483V1 B263 - 41 ... - 483V1
Main/Emergency-Off Switches OFF position padlockable 09h	3 ... 4	B200-A	50 63	18,5 22	15 18,5	B250 - 41 ... - 483V4 B263 - 41 ... - 483V4

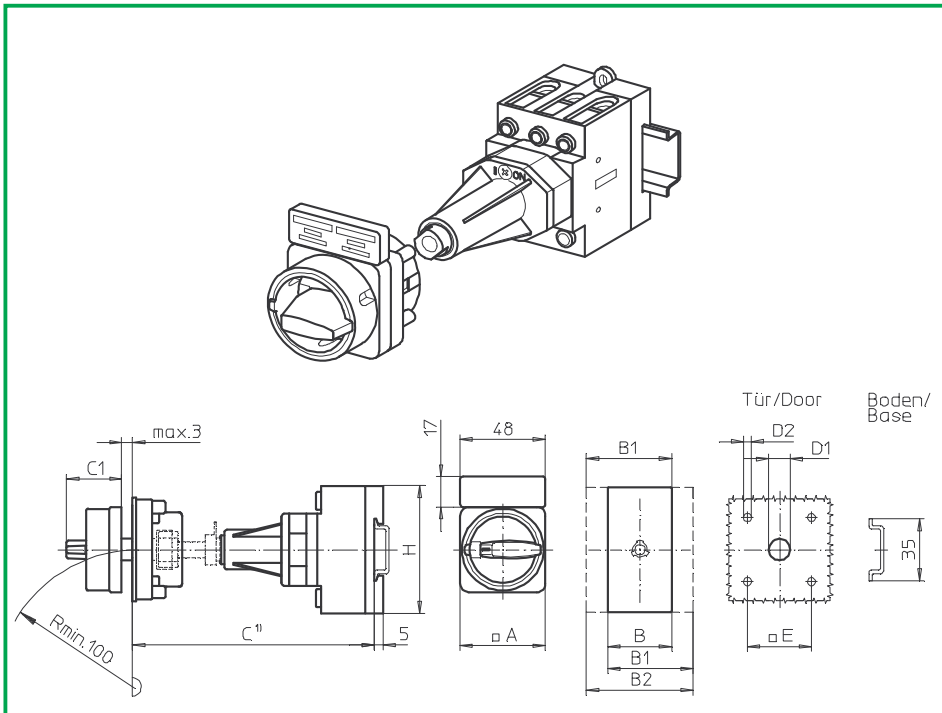
SMD modules for basic switch A02			
Mounting form module for 483V.		B200-A	BFB2 - 481
V-operator module 48 x 48 mm, mounting form 483V1 Escutcheon black, handle black Legend plate silver, operator module 483V1			2AV1 - 09 FAS2 - 9078
V-operator module 48 x 48 mm, mounting form 483V4 Escutcheon black, handle red Legend plate yellow, operator module 483V4 Additional top escutcheon plate			2AV4 - 09 FBS2 - 9078 FAZ2 - 8041

Dimensions (mm)									
Product lines	A	B	B1	B2	C1	D1	D2	E	H
B200-A	48	50	69	88	32	15	4,5	36	72

C¹⁾ Internal depth, inside of door to top of DIN rail. Metal shaft is not included. Please order separately. See page B8-11.

Base Mounting Switches

sälzer



Product line
B200-A

Base mounting switch

Door interlock
Metal shaft extension

Four hole mounting
36 x 36 mm front

435M1 (IP66)
435M4 (IP66)

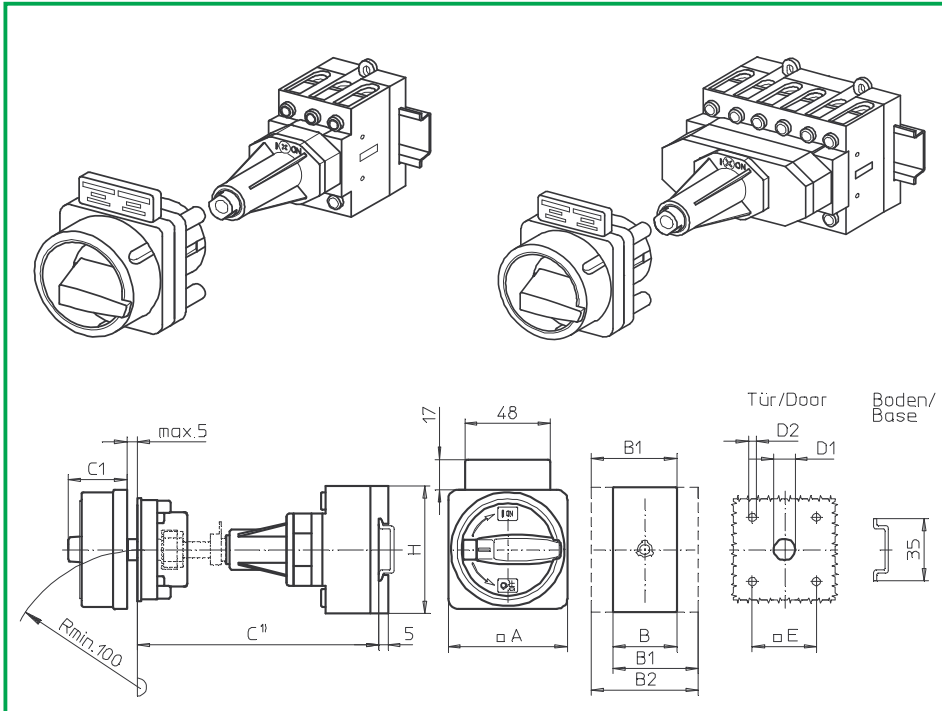
Complete switch	Poles	Product lines	Rated data (IEC 60947)			Order code number
			Operational current I _e	Operational power at 380–440 V		
			AC-21A A	AC-23A kW	AC-3 kW	
Main Switches OFF position padlockable 09h	3 ... 4	B200-A	50 63	18,5 22	15 18,5	B250 - 41 ... - 435M1 B263 - 41 ... - 435M1
Main/Emergency-Off Switches OFF position padlockable 09h	3 ... 4	B200-A	50 63	18,5 22	15 18,5	B250 - 41 ... - 435M4 B263 - 41 ... - 435M4

SMD modules for basic switch A02						
Mounting form module for 435M.				B200-A		BFB2 - 481
M-padlock device 48 x 48 mm, mounting form 435M1 Escutcheon black, padlockable handle black						2BM1
M-padlock device 48 x 48 mm, mounting form 435M4 Escutcheon yellow, padlockable handle red						2BM4
Additional top escutcheon plate						FAZ2 - 8041

Dimensions (mm)									
Product lines	A	B	B1	B2	C1	D1	D2	E	H
B200-A	48	50	69	88	31	15	4,5	36	72

C¹⁾ Internal depth, inside of door to top of DIN rail. Metal shaft is not included. Please order separately. See page B8-11.

Base Mounting Switches



Product lines
B200-A/ -D

Base mounting switch
Operator module of next size

Door interlock
Metal shaft extension

Four hole mounting
48 x 48 mm front

484M1 (IP66)
484M4 (IP66)

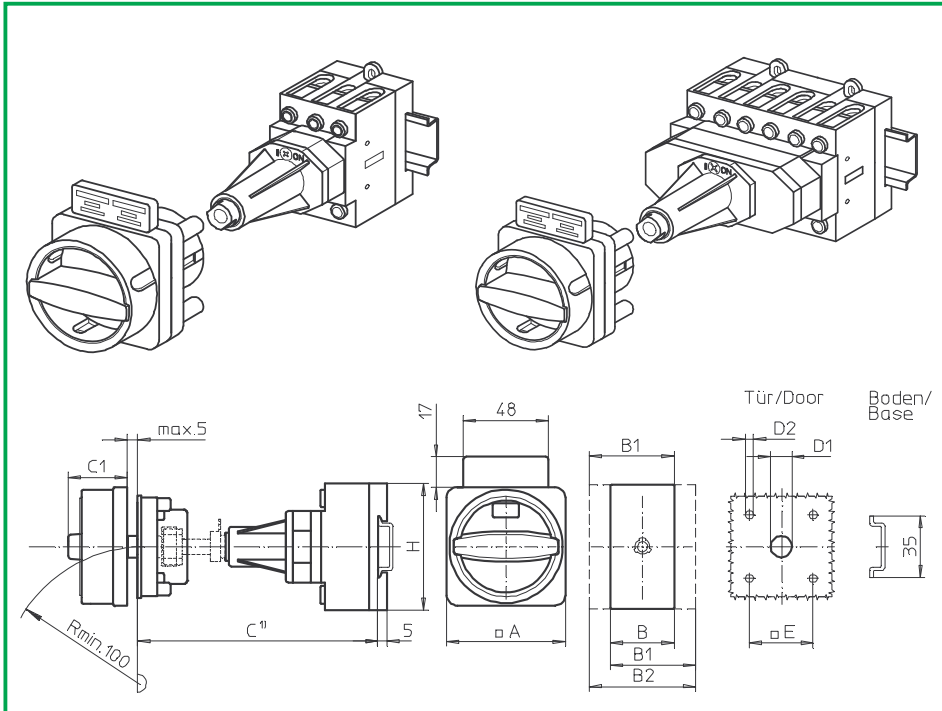
Complete switch	Poles	Product lines	Rated data (IEC 60947)			Order code number
			Operational current I _e	Operational power at 380–440 V		
			AC-21A A	AC-23A kW	AC-3 kW	
Main Switches OFF position padlockable 09h	3 ... 8	B200-A/ -D	50 63	18,5 22	15 18,5	B250 - 41 ... - 484M1 B263 - 41 ... - 484M1
Main/Emergency-Off Switches OFF position padlockable 09h	3 ... 8	B200-A/ -D	50 63	18,5 22	15 18,5	B250 - 41 ... - 484M4 B263 - 41 ... - 484M4

SMD modules for basic switch A02			
Mounting form module for 484M.		B200-A/ -D	BFB2 - 483
M-padlock device 67 x 67 mm, mounting form 484M1 Escutcheon black, padlockable handle black			4BM1
M-padlock device 67 x 67 mm, mounting form 484M4 Escutcheon yellow, padlockable handle red			4BM4
Additional top escutcheon plate			FAZ2 - 8041

Dimensions (mm)									
Product lines	A	B	B1	B2	C1	D1	D2	E	H
B200-A	67	50	69	88	38	15	5	48	72
B200-D	67	100	119	138	38	15	5	48	72

C¹⁾ Internal depth, inside of door to top of DIN rail. Metal shaft is not included. Please order separately. See page B8-11.

Base Mounting Switches



Product lines
B200-A/ -D

Base mounting switch
Operator module of next size

Door interlock
Metal shaft extension

Four hole mounting
48 x 48 mm front

484N1 (IP66)
484N4 (IP66)

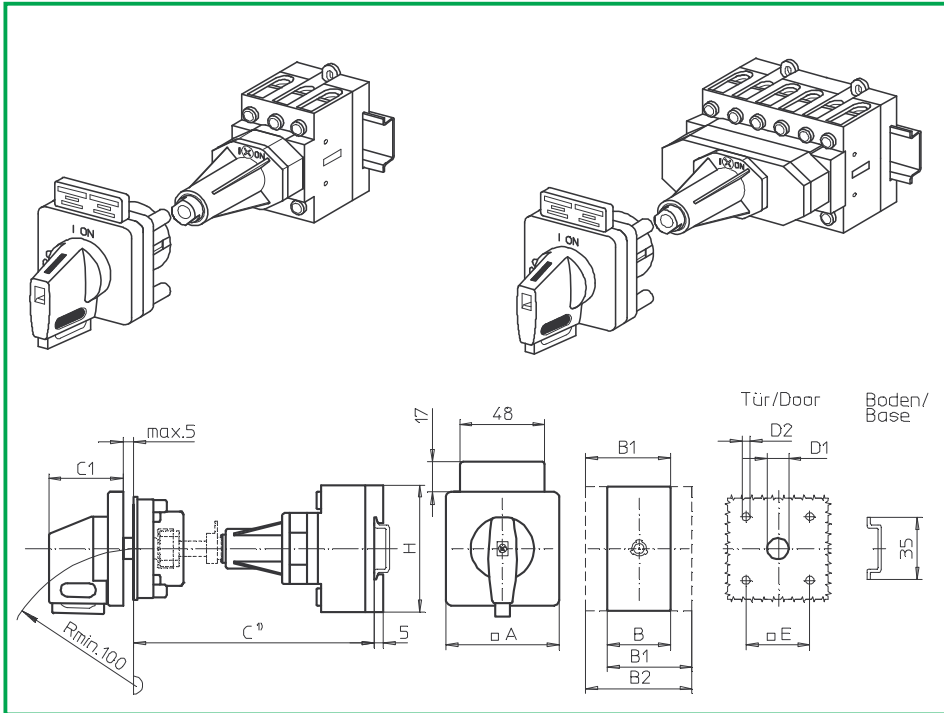
Complete switch	Poles	Product lines	Rated data (IEC 60947)			Order code number
			Operational current I _e	Operational power at 380–440 V		
			AC-21A A	AC-23A kW	AC-3 kW	
Main Switches OFF position padlockable 09h	3 ... 8	B200-A/ -D	50 63	18,5 22	15 18,5	B250 - 41 ... - 484N1 B263 - 41 ... - 484N1
Main/Emergency-Off Switches OFF position padlockable 09h	3 ... 8	B200-A/ -D	50 63	18,5 22	15 18,5	B250 - 41 ... - 484N4 B263 - 41 ... - 484N4

SMD modules for basic switch A02						
Mounting form module for 484N.				B200-A/ -D		BFB2 - 483
N-padlock device 67 x 67 mm, mounting form 484N1 Escutcheon black, padlockable handle black						4BN1
N-padlock device 67 x 67 mm, mounting form 484N4 Escutcheon yellow, padlockable handle red						4BN4
Additional top escutcheon plate						FAZ2 - 8041

Dimensions (mm)									
Product lines	A	B	B1	B2	C1	D1	D2	E	H
B200-A	67	50	69	88	33	15	5	48	72
B200-D	67	100	119	138	33	15	5	48	72

C¹⁾ Internal depth, inside of door to top of DIN rail. Metal shaft is not included. Please order separately. See page B8-11.

Base Mounting Switches



Product lines
B200-A/ -D

Base mounting switch
Operator module of next size

Door interlock
Metal shaft extension

Four hole mounting
48 x 48 mm front

484V1 (IP66)
484V4 (IP66)

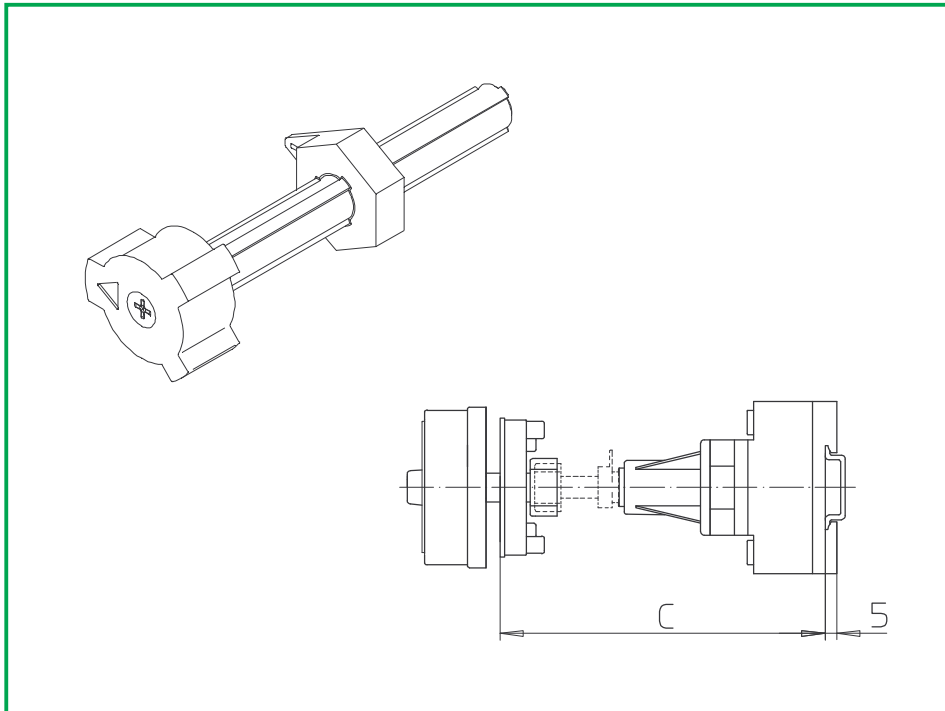
Complete switch	Poles	Product lines	Rated data (IEC 60947)			Order code number
			Operational current I _e	Operational power at 380–440 V		
			AC-21A A	AC-23A kW	AC-3 kW	
Main Switches OFF position padlockable 09h	3 ... 8	B200-A/ -D	50 63	18,5 22	15 18,5	B250 - 41 ... - 484V1 B263 - 41 ... - 484V1
Main/Emergency-Off Switches OFF position padlockable 09h	3 ... 8	B200-A/ -D	50 63	18,5 22	15 18,5	B250 - 41 ... - 484V4 B263 - 41 ... - 484V4

SMD modules for basic switch A02						
Mounting form module for 484V.				B200-A/ -D		BFB2 - 482
V-operator module 64 x 64 mm, mounting form 484V1 Escutcheon black, handle black Legend plate silver, operator module 484V1						4AV1 - 09 FAS4 - 9078
V-operator module 64 x 64 mm, mounting form 484V4 Escutcheon black, handle red Legend plate yellow, operator module 484V4 Additional top escutcheon plate						4AV4 - 09 FBS4 - 9078 FAZ2 - 8041

Dimensions (mm)									
Product lines	A	B	B1	B2	C1	D1	D2	E	H
B200-A	64	50	69	88	39	15	5	48	72
B200-D	64	100	119	138	39	15	5	48	72

C¹⁾ Internal depth, inside of door to top of DIN rail. Metal shaft is not included. Please order separately. See page B8-11.

Metal shaft extension



Product lines
B200-A/ -D/ -E

Base mounting switch

Door interlock
Metal shaft extension

Four hole mounting
front

AVB8 - . . .

Metal shaft extension for use with door interlock and four hole mounting front

Dimension C (internal depth, inside of door to top of DIN rail)

B200-A	B200-D/ -E	Order code number
140 . . . 164 mm	152 . . . 176 mm	AVB8 - 065
165 . . . 189 mm	177 . . . 201 mm	AVB8 - 090
190 . . . 214 mm	202 . . . 226 mm	AVB8 - 115
215 . . . 239 mm	227 . . . 251 mm	AVB8 - 140
240 . . . 264 mm	252 . . . 276 mm	AVB8 - 165
265 . . . 289 mm	277 . . . 301 mm	AVB8 - 190
290 . . . 314 mm	302 . . . 326 mm	AVB8 - 215
315 . . . 339 mm	327 . . . 351 mm	AVB8 - 240
340 . . . 364 mm	352 . . . 376 mm	AVB8 - 265
365 . . . 389 mm	377 . . . 401 mm	AVB8 - 290
390 . . . 414 mm	402 . . . 426 mm	AVB8 - 315
415 . . . 439 mm	427 . . . 451 mm	AVB8 - 340
440 . . . 464 mm	452 . . . 476 mm	AVB8 - 365
465 . . . 489 mm	477 . . . 501 mm	AVB8 - 390
490 . . . 514 mm	502 . . . 526 mm	AVB8 - 415
515 . . . 539 mm	527 . . . 551 mm	AVB8 - 440
540 . . . 564 mm	552 . . . 576 mm	AVB8 - 465
565 . . . 589 mm	577 . . . 601 mm	AVB8 - 490
590 . . . 614 mm	602 . . . 626 mm	AVB8 - 515
615 . . . 639 mm	627 . . . 651 mm	AVB8 - 540

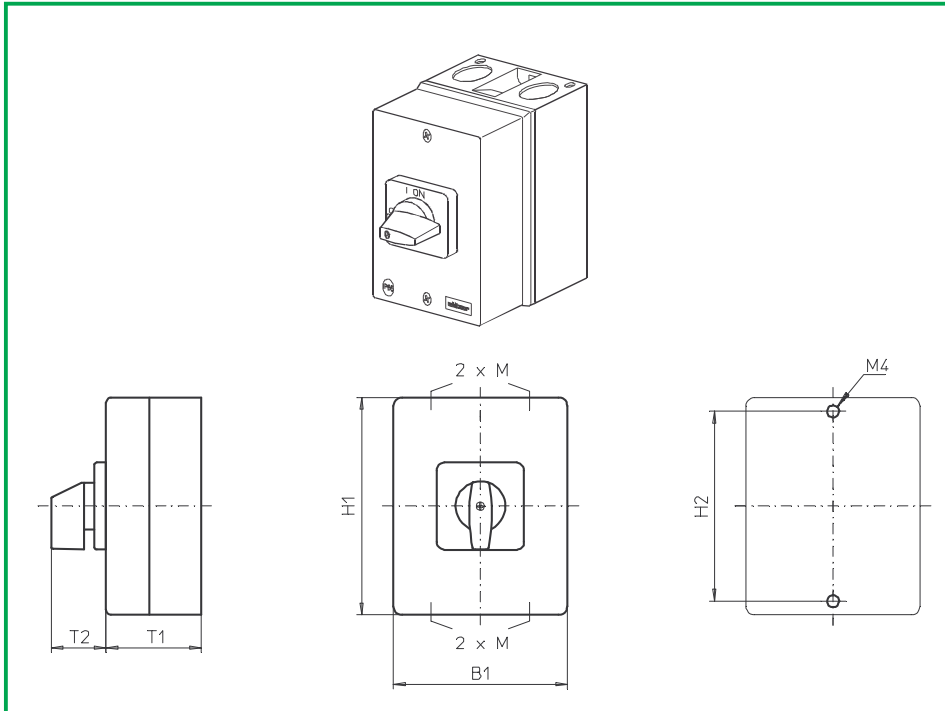


Section C

	Page	
	from	to
Insulated enclosures	C1-1	C1-36
Mild steel enclosures	C2-1	C2-20
Stainless steel enclosures	C3-1	C3-24
Switch modules	C4-1	C4-3

Originator: Sälzer Electric GmbH · Product Data Management (PDM) · 09306 Rochlitz (Germany)
Copyright reserved by Sälzer Electric GmbH. This document replaces all previous issues.
Valid until a new version is published. Changes and revisions reserved.

Enclosed Switches



Product line
B200-A

Enclosed switch

Insulated enclosure
175 x 115 x 100 mm

With cover interlock
in ON position

Cable entries
4 x M20/M25

711M1 (IP66)

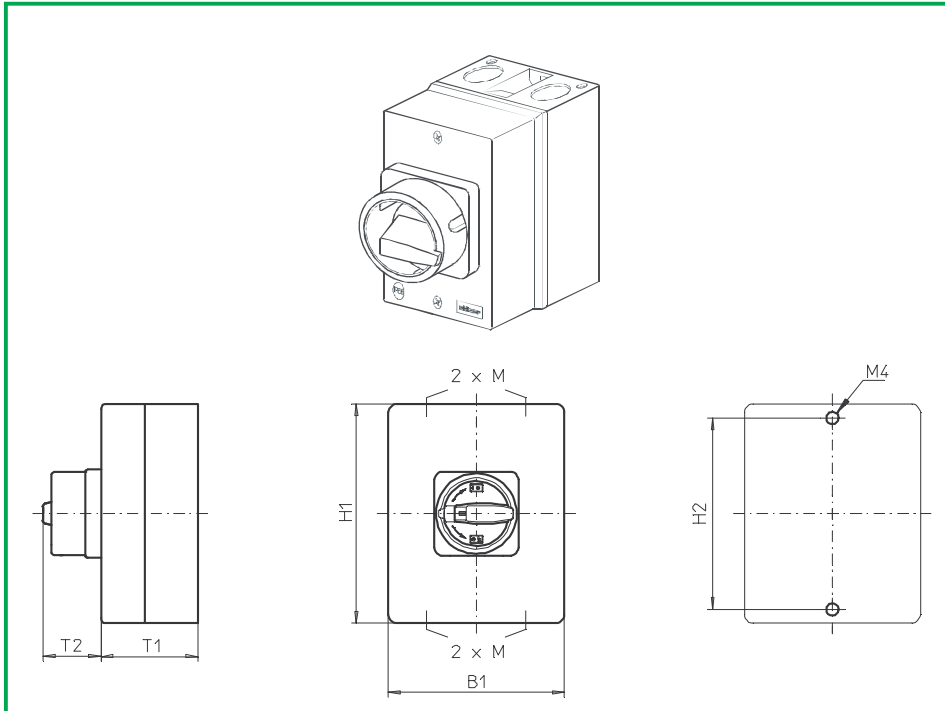
Complete switch	Poles	Product lines	Rated data (IEC 60947)			Order code number
			Operational current I_e	Operational power at 380–440 V		
			AC-21A A	AC-23A kW	AC-3 kW	
ON-OFF Switches Switching angle 90°	3 ... 4	B200-A	50 63	18,5 22	15 18,5	B250 - 41 ... - 711M1 B263 - 41 ... - 711M1

SMD modules for basic switch A02		
Mounting form module for 711M1	B200-A	BFB2 - E7
Enclosure module, mounting form 711M1		PAH2 - 711M1
Legend plate silver, enclosure module 711M1		FAS4 - 9... (FA number)

Remark to mounting form:
Terminal capacity max. 16 mm² on N-terminal and/or PE-terminal

Dimensions (mm)						
Product lines	H1	B1	T1	T2	2xM	H2
B200-A	175	115	100	39	20/25	165

Enclosed Switches



Product line
B200-A

Enclosed switch

Insulated enclosure
175 x 115 x 100 mm

With cover interlock
in ON position

Cable entries
4 x M20/M25

710M1 (IP66)
710M4 (IP66)

Complete switch	Poles	Product lines	Rated data (IEC 60947)			Order code number
			Operational current I _e	Operational power at 380–440 V		
			AC-21A A	AC-23A kW	AC-3 kW	
Main Switches OFF position padlockable 09h	3 ... 4	B200-A	50 63	18,5 22	15 18,5	B250 - 41 ... - 710M1 B263 - 41 ... - 710M1
Main/Emergency-Off Switches OFF position padlockable 09h	3 ... 4	B200-A	50 63	18,5 22	15 18,5	B250 - 41 ... - 710M4 B263 - 41 ... - 710M4

SMD modules for basic switch A02

Mounting form module for 710M1/ 710M4

B200-A

BFB2 - E7

Enclosure module, mounting form 710M1
Enclosure module, mounting form 710M4

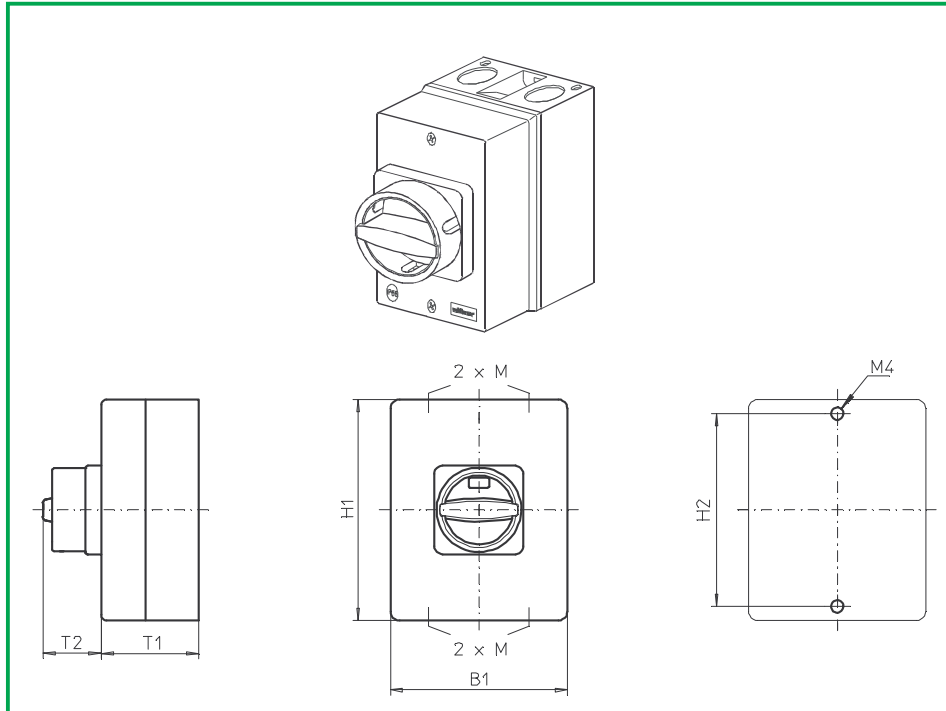
PAH2 - 710M1
PAH2 - 710M4

Remark to mounting form:
Terminal capacity max. 16 mm² on N-terminal and/or PE-terminal

Dimensions (mm)

Product lines	H1	B1	T1	T2	2xM	H2
B200-A	175	115	100	38	20/25	165

Enclosed Switches



Product line
B200-A

Enclosed switch

Insulated enclosure
175 x 115 x 100 mm

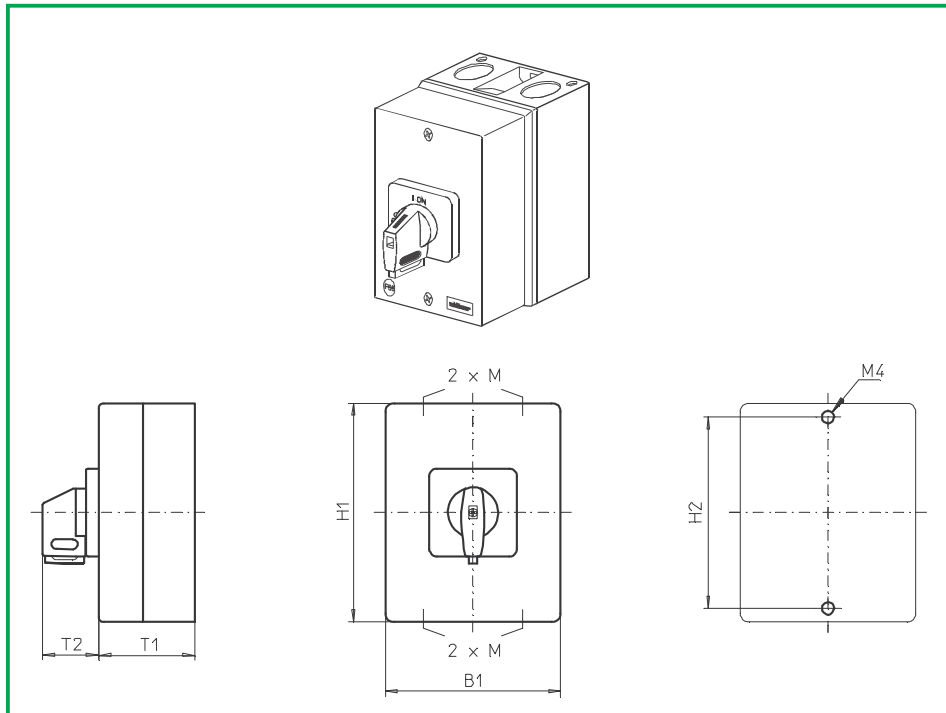
With cover interlock
in ON position

Cable entries
4 x M20/M25

710N1 (IP66)
710N4 (IP66)

Complete switch	Poles	Product lines	Rated data (IEC 60947)			Order code number
			Operational current I _e	Operational power at 380–440 V		
			AC-21A A	AC-23A kW	AC-3 kW	
Main Switches OFF position padlockable 09h	3 ... 4	B200-A	50 63	18,5 22	15 18,5	B250 - 41 ... - 710N1 B263 - 41 ... - 710N1
Main/Emergency-Off Switches OFF position padlockable 09h	3 ... 4	B200-A	50 63	18,5 22	15 18,5	B250 - 41 ... - 710N4 B263 - 41 ... - 710N4
SMD modules for basic switch A02						
Mounting form module for 710N1/ 710N4			B200-A			BFB2 - E7
Enclosure module, mounting form 710N1						PAH2 - 710N1
Enclosure module, mounting form 710N4						PAH2 - 710N4
Remark to mounting form: Terminal capacity max. 16 mm ² on N-terminal and/or PE-terminal						
Dimensions (mm)						
Product lines	H1	B1	T1	T2	2xM	H2
B200-A	175	115	100	33	20/25	165

Enclosed Switches



Product line
B200-A

Enclosed switch

Insulated enclosure
175 x 115 x 100 mm

With cover interlock
in ON position

Cable entries
4 x M20/M25

710V1 (IP66)
710V4 (IP66)

Complete switch	Poles	Product lines	Rated data (IEC 60947)			Order code number
			Operational current I_e	Operational power at 380–440 V		
			AC-21A A	AC-23A kW	AC-3 kW	
Main Switches OFF position padlockable 09h	3 ... 4	B200-A	50 63	18,5 22	15 18,5	B250 - 41 ... - 710V1 B263 - 41 ... - 710V1
Main/Emergency-Off Switches OFF position padlockable 09h	3 ... 4	B200-A	50 63	18,5 22	15 18,5	B250 - 41 ... - 710V4 B263 - 41 ... - 710V4

SMD modules for basic switch A02

Mounting form module for 710V1/ 710V4

B200-A

BFB2 - E7

Enclosure module, mounting form 710V1
Enclosure module, mounting form 710V4

PAH2 - 710V1
PAH2 - 710V4

Legend plate silver, enclosure module 710V1
Legend plate yellow, enclosure module 710V4

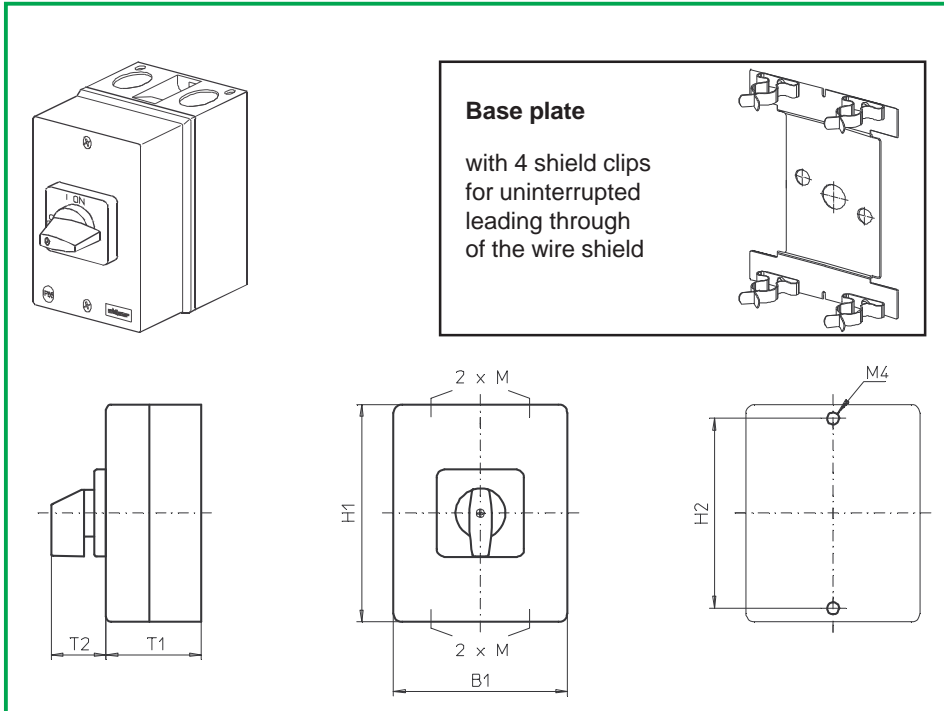
FAS4 - 9... (FA number)
FBS4 - 9... (FA number)

Remark to mounting form:
Terminal capacity max. 16 mm² on N-terminal and/or PE-terminal

Dimensions (mm)

Product lines	H1	B1	T1	T2	2xM	H2
B200-A	175	115	100	39	20/25	165

Enclosed Switches



Product line
B200-A

Insulated enclosure
175 x 115 x 100 mm

With cover interlock
in ON position

Uninterrupted leading
through of the wire shield

Cable entries
4 x M20/M25
4 x SKL shield clip
for shield diameter 12-16 mm

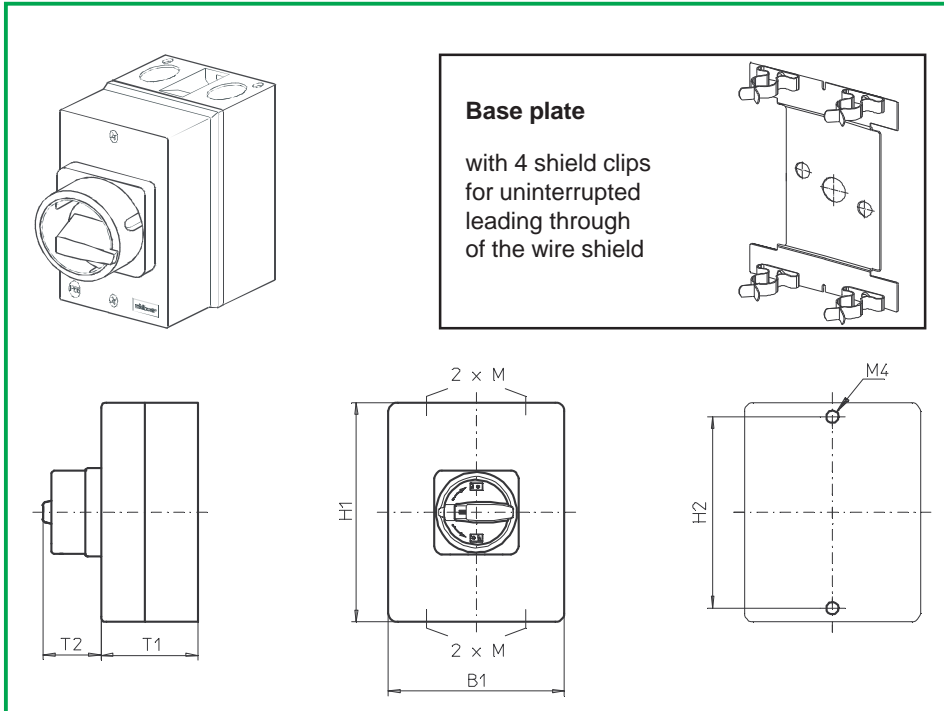
716M1 (IP66)

Complete switch	Poles	Product lines	Rated data (IEC 60947)			Order code number
			Operational current I _e	Operational power at 380–440 V		
			AC-21A A	AC-23A kW	AC-3 kW	
ON-OFF Switches Switching angle 90°	3 ... 4	B200-A	50 63	18,5 22	15 18,5	B250 - 41 ... - 716M1 B263 - 41 ... - 716M1

SMD modules for basic switch A02						
Mounting form module for 716M1				B200-A		BFB2 - E7
Enclosure module, mounting form 716M1						PAH2 - 716M1
Legend plate silver, enclosure module 716M1						FAS4 - 9... (FA number)
Remark to mounting form: Terminal capacity max. 16 mm ² on N-terminal and/or PE-terminal						

Dimensions (mm)						
Product lines	H1	B1	T1	T2	2xM	H2
B200-A	175	115	100	39	20/25	165

Enclosed Switches



Product line B200-A

Insulated enclosure 175 x 115 x 100 mm

With cover interlock
in ON position

Uninterrupted leading
through of the wire shield

Cable entries

4 x M20/M25
4 x SKL shield clip
for shield diameter 12-16 mm

715M1 (IP66)

715M4 (IP66)

Complete switch	Poles	Product lines	Rated data (IEC 60947)			Order code number
			Operational current I _e	Operational power at 380–440 V		
			AC-21A A	AC-23A kW	AC-3 kW	
Main Switches OFF position padlockable 09h	3 ... 4	B200-A	50 63	18,5 22	15 18,5	B250 - 41 ... - 715M1 B263 - 41 ... - 715M1
Main/Emergency-Off Switches OFF position padlockable 09h	3 ... 4	B200-A	50 63	18,5 22	15 18,5	B250 - 41 ... - 715M4 B263 - 41 ... - 715M4

SMD modules for basic switch A02

Mounting form module for 715M1/ 715M4

B200-A

BFB2 - E7

Enclosure module, mounting form 715M1
Enclosure module, mounting form 715M4

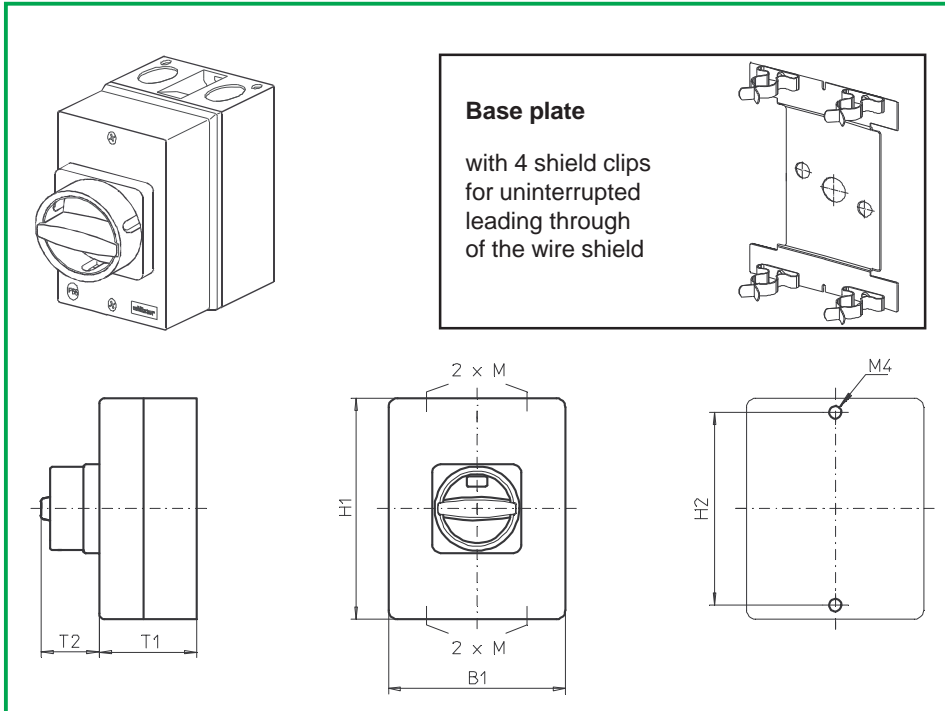
PAH2 - 715M1
PAH2 - 715M4

Remark to mounting form:
Terminal capacity max. 16 mm² on N-terminal and/or PE-terminal

Dimensions (mm)

Product lines	H1	B1	T1	T2	2xM	H2
B200-A	175	115	100	38	20/25	165

Enclosed Switches



Product line B200-A

Insulated enclosure 175 x 115 x 100 mm

With cover interlock
in ON position

Uninterrupted leading
through of the wire shield

Cable entries

4 x M20/M25
4 x SKL shield clip
for shield diameter 12-16 mm

715N1 (IP66)

715N4 (IP66)

Complete switch	Poles	Product lines	Rated data (IEC 60947)			Order code number
			Operational current I _e	Operational power at 380–440 V		
			AC-21A A	AC-23A kW	AC-3 kW	
Main Switches OFF position padlockable 09h	3 ... 4	B200-A	50 63	18,5 22	15 18,5	B250 - 41 ... - 715N1 B263 - 41 ... - 715N1
Main/Emergency-Off Switches OFF position padlockable 09h	3 ... 4	B200-A	50 63	18,5 22	15 18,5	B250 - 41 ... - 715N4 B263 - 41 ... - 715N4

SMD modules for basic switch A02

Mounting form module for 715N1/ 715N4

B200-A

BFB2 - E7

Enclosure module, mounting form 715N1
Enclosure module, mounting form 715N4

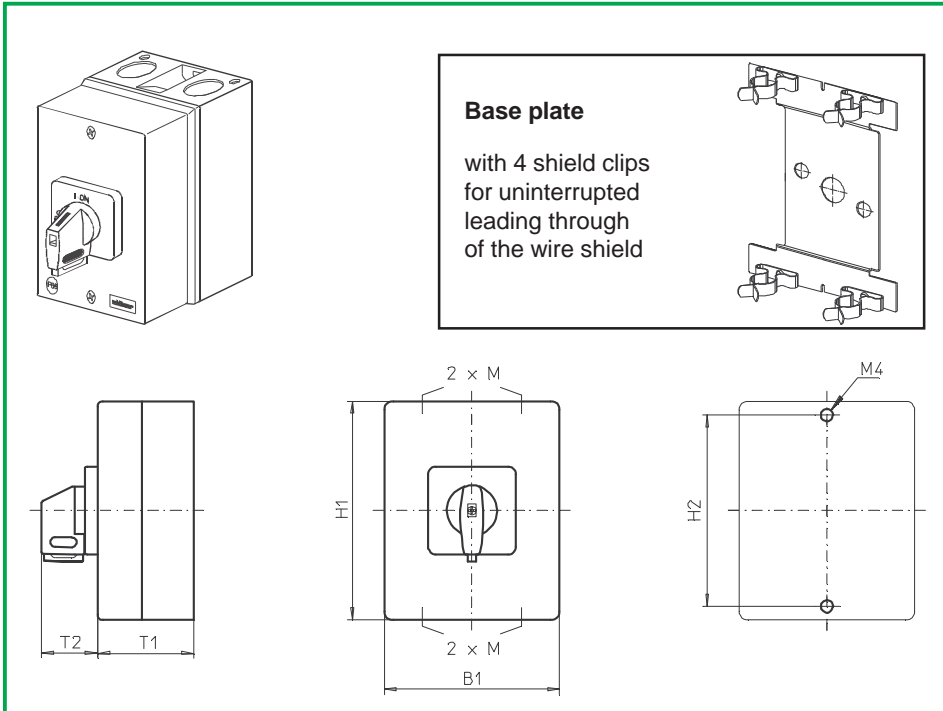
PAH2 - 715N1
PAH2 - 715N4

Remark to mounting form:
Terminal capacity max. 16 mm² on N-terminal and/or PE-terminal

Dimensions (mm)

Product lines	H1	B1	T1	T2	2xM	H2
B200-A	175	115	100	33	20/25	165

Enclosed Switches



Product line B200-A

Insulated enclosure 175 x 115 x 100 mm

With cover interlock
in ON position

Uninterrupted leading
through of the wire shield

Cable entries

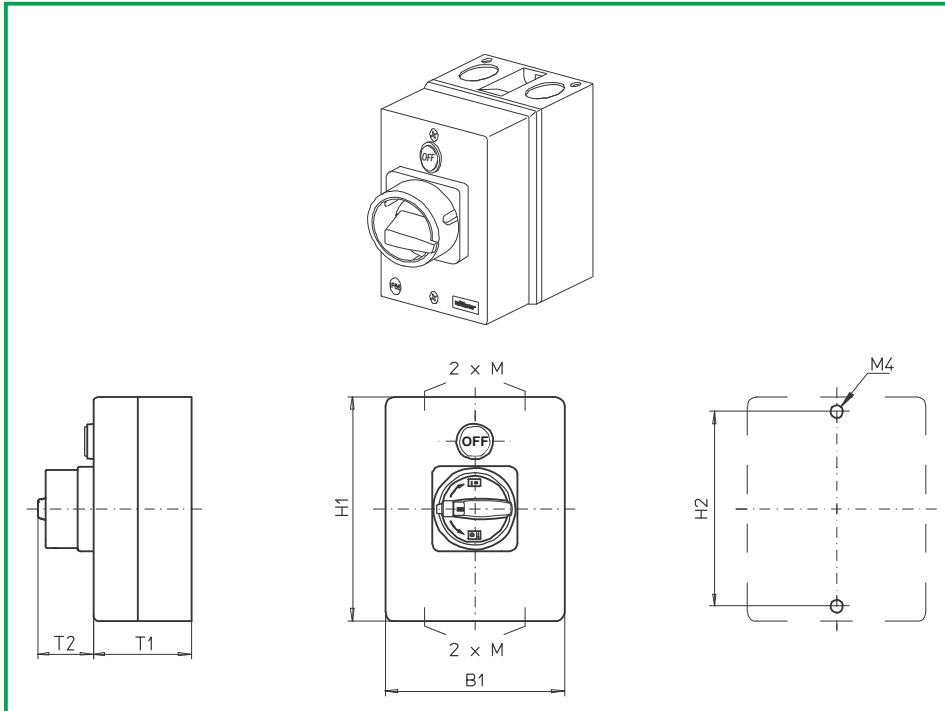
4 x M20/M25
4 x SKL shield clip
for shield diameter 12-16 mm

715V1 (IP66)

715V4 (IP66)

Complete switch	Poles	Product lines	Rated data (IEC 60947)			Order code number
			Operational current I _e	Operational power at 380–440 V		
			AC-21A A	AC-23A kW	AC-3 kW	
Main Switches OFF position padlockable 09h	3 ... 4	B200-A	50 63	18,5 22	15 18,5	B250 - 41 ... - 715V1 B263 - 41 ... - 715V1
Main/Emergency-Off Switches OFF position padlockable 09h	3 ... 4	B200-A	50 63	18,5 22	15 18,5	B250 - 41 ... - 715V4 B263 - 41 ... - 715V4
SMD modules for basic switch A02						
Mounting form module for 715V1/ 715V4			B200-A			BFB2 - E7
Enclosure module, mounting form 715V1 Enclosure module, mounting form 715V4						PAH2 - 715V1 PAH2 - 715V4
Legend plate silver, enclosure module 715V1 Legend plate yellow, enclosure module 715V4						FAS4 - 9... (FA number) FBS4 - 9... (FA number)
Remark to mounting form: Terminal capacity max. 16 mm ² on N-terminal and/or PE-terminal						
Dimensions (mm)						
Product lines	H1	B1	T1	T2	2xM	H2
B200-A	175	115	100	39	20/25	165

Enclosed Switches



**Product line
B200-A**

Enclosed switch

Insulated enclosure

175 x 115 x 100 mm

With cover interlock
in ON position

LED pilot light white
"OFF", LED for 230 VAC

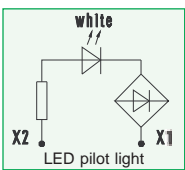
Cable entries

4 x M20/M25

750M1 (IP66)

750M4 (IP66)

Complete switch	Poles	Product lines	Rated data (IEC 60947)			Order code number
			Operational current I_e	Operational power at 380–440 V		
			AC-21A A	AC-23A kW	AC-3 kW	
Main Switches OFF position padlockable 09h	3 ... 4	B200-A	50 63	18,5 22	15 18,5	B250 - 41 ... - 750M1 B263 - 41 ... - 750M1
Main/Emergency-Off Switches OFF position padlockable 09h	3 ... 4	B200-A	50 63	18,5 22	15 18,5	B250 - 41 ... - 750M4 B263 - 41 ... - 750M4



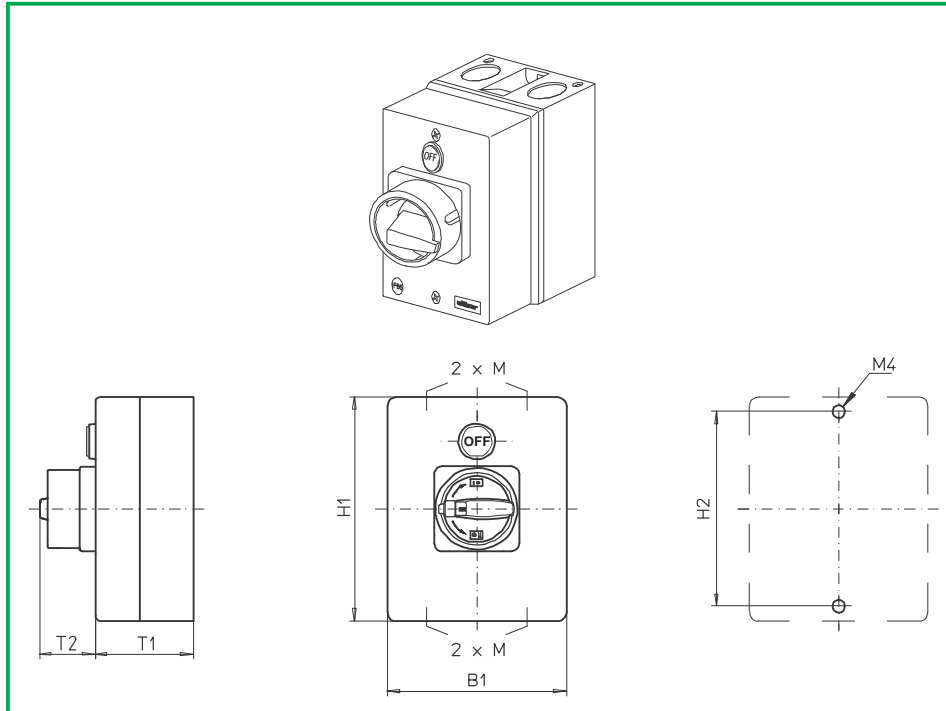
Note: For 3-pole switches use the switching programmes 41311, 41322 and 41331, for 4-pole switches use the switching programme 41411.
The auxiliary contact 21-22 (1 n/c) is reserved for the LED pilot light showing the OFF position of the main contacts.

SMD modules for basic switch A02			
Mounting form module for 750M1/ 750M4		B200-A	BFB2 - E7
Enclosure module, mounting form 750M1			PAH2 - 750M1
Enclosure module, mounting form 750M4			PAH2 - 750M4

Remark to mounting form:
Terminal capacity max. 16 mm² on N-terminal and/or PE-terminal

Dimensions (mm)						
Product lines	H1	B1	T1	T2	2xM	H2
B200-A	175	115	100	38	20/25	165

Enclosed Switches



Product line
B200-A

Enclosed switch

Insulated enclosure
175 x 115 x 100 mm

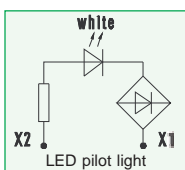
With cover interlock
in ON position

LED pilot light white
"OFF", LED for 230 VAC

Cable entries
4 x M20/M25

750M6 (IP66)

Complete switch	Poles	Product lines	Rated data (IEC 60947)			Order code number
			Operational current I_e	Operational power at 380–440 V		
			AC-21A A	AC-23A kW	AC-3 kW	
Main Switches OFF position padlockable 09h	3 ... 4	B200-A	50 63	18,5 22	15 18,5	B250 - 41 ... - 750M6 B263 - 41 ... - 750M6



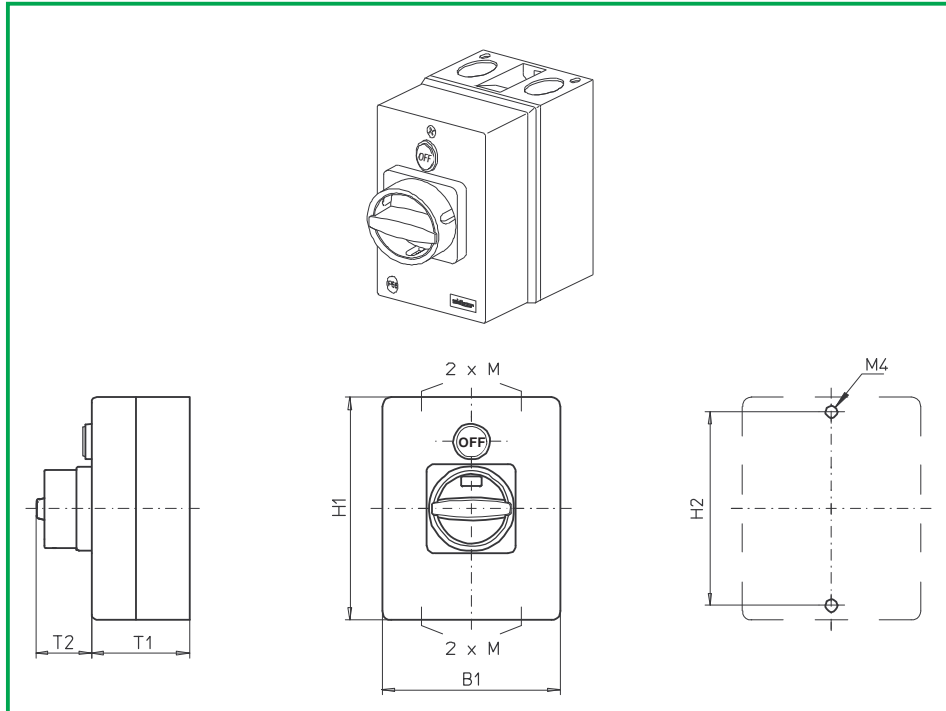
Note: For 3-pole switches use the switching programmes 41311, 41322 and 41331, for 4-pole switches use the switching programme 41411.
The auxiliary contact 21-22 (1 n/c) is reserved for the LED pilot light showing the OFF position of the main contacts.

SMD modules for basic switch A02	Product lines	Order code number
Mounting form module for 750M6	B200-A	BFB2 - E7
Enclosure module, mounting form 750M6 Escutcheon grey, padlockable handle black		PAH2 - 750M6

Remark to mounting form:
Terminal capacity max. 16 mm² on N-terminal and/or PE-terminal

Dimensions (mm)						
Product lines	H1	B1	T1	T2	2xM	H2
B200-A	175	115	100	38	20/25	165

Enclosed Switches



**Product line
B200-A**

Enclosed switch

Insulated enclosure

175 x 115 x 100 mm

With cover interlock
in ON position

LED pilot light white
"OFF", LED for 230 VAC

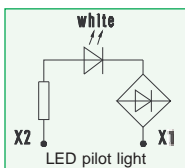
Cable entries

4 x M20/M25

750N1 (IP66)

750N4 (IP66)

Complete switch	Poles	Product lines	Rated data (IEC 60947)			Order code number
			Operational current I_e	Operational power at 380–440 V		
			AC-21A A	AC-23A kW	AC-3 kW	
Main Switches OFF position padlockable 09h	3 ... 4	B200-A	50 63	18,5 22	15 18,5	B250 - 41 ... - 750N1 B263 - 41 ... - 750N1
Main/Emergency-Off Switches OFF position padlockable 09h	3 ... 4	B200-A	50 63	18,5 22	15 18,5	B250 - 41 ... - 750N4 B263 - 41 ... - 750N4



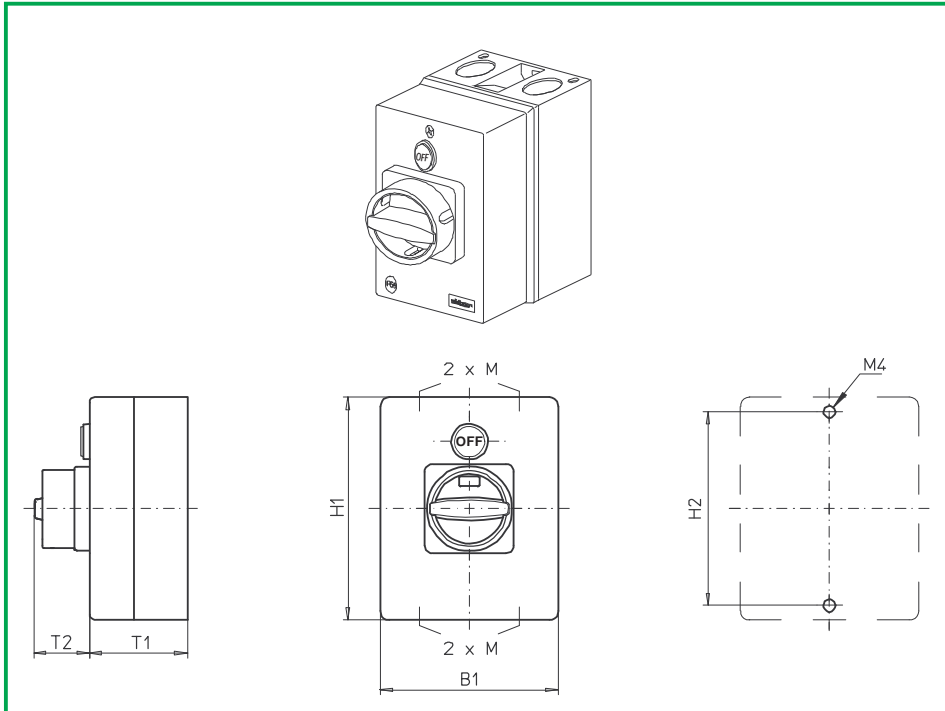
Note: For 3-pole switches use the switching programmes 41311, 41322 and 41331, for 4-pole switches use the switching programme 41411.
The auxiliary contact 21-22 (1 n/c) is reserved for the LED pilot light showing the OFF position of the main contacts.

SMD modules for basic switch A02			
Mounting form module for 750N1/ 750N4		B200-A	BFB2 - E7
Enclosure module, mounting form 750N1			PAH2 - 750N1
Enclosure module, mounting form 750N4			PAH2 - 750N4

Remark to mounting form:
Terminal capacity max. 16 mm² on N-terminal and/or PE-terminal

Dimensions (mm)						
Product lines	H1	B1	T1	T2	2xM	H2
B200-A	175	115	100	33	20/25	165

Enclosed Switches



**Product line
B200-A**

Enclosed switch

Insulated enclosure
175 x 115 x 100 mm

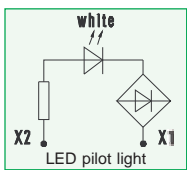
With cover interlock
in ON position

LED pilot light white
"OFF", LED for 230 VAC

Cable entries
4 x M20/M25

750N6 (IP66)

Complete switch	Poles	Product lines	Rated data (IEC 60947)			Order code number
			Operational current I_e	Operational power at 380–440 V		
			AC-21A A	AC-23A kW	AC-3 kW	
Main Switches	3 ... 4	B200-A	50	18,5	15	B250 - 41 ... - 750N6
OFF position padlockable 09h			63	22	18,5	B263 - 41 ... - 750N6



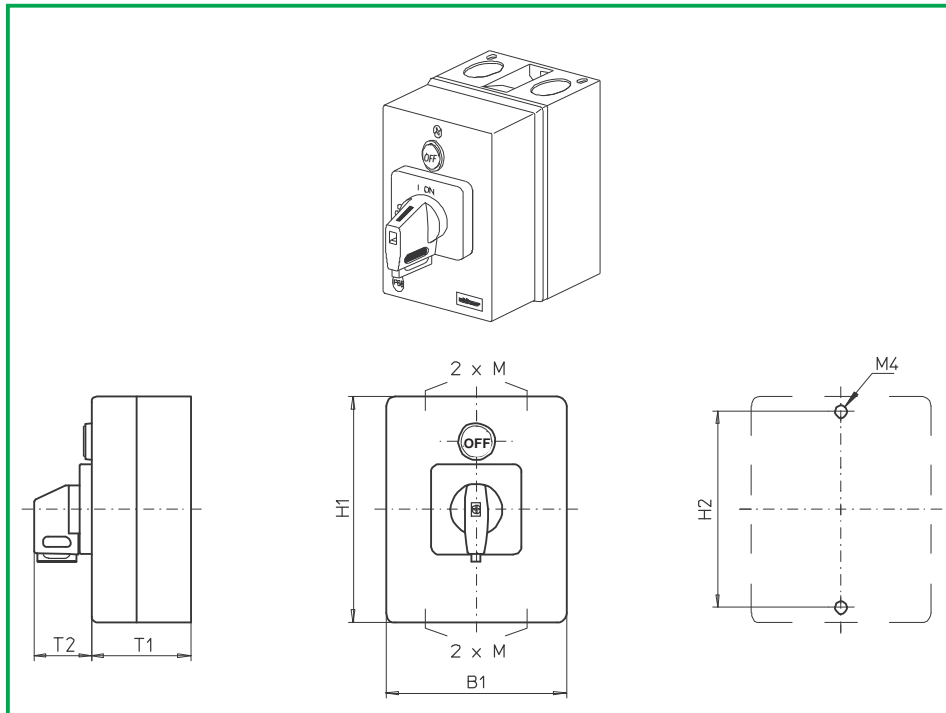
Note: For 3-pole switches use the switching programmes 41311, 41322 and 41331, for 4-pole switches use the switching programme 41411.
The auxiliary contact 21-22 (1 n/c) is reserved for the LED pilot light showing the OFF position of the main contacts.

SMD modules for basic switch A02	Product lines	Order code number
Mounting form module for 750N6	B200-A	BFB2 - E7
Enclosure module, mounting form 750N6 Escutcheon grey, padlockable handle black		PAH2 - 750N6

Remark to mounting form:
Terminal capacity max. 16 mm² on N-terminal and/or PE-terminal

Dimensions (mm)						
Product lines	H1	B1	T1	T2	2xM	H2
B200-A	175	115	100	33	20/25	165

Enclosed Switches



**Product line
B200-A**

Enclosed switch

Insulated enclosure

175 x 115 x 100 mm

With cover interlock
in ON position

LED pilot light white
"OFF", LED for 230 VAC

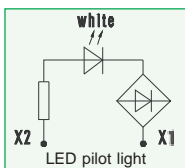
Cable entries

4 x M20/M25

750V1 (IP66)

750V4 (IP66)

Complete switch	Poles	Product lines	Rated data (IEC 60947)			Order code number
			Operational current I_e	Operational power at 380–440 V		
			AC-21A A	AC-23A kW	AC-3 kW	
Main Switches OFF position padlockable 09h	3 ... 4	B200-A	50 63	18,5 22	15 18,5	B250 - 41 ... - 750V1 B263 - 41 ... - 750V1
Main/Emergency-Off Switches OFF position padlockable 09h	3 ... 4	B200-A	50 63	18,5 22	15 18,5	B250 - 41 ... - 750V4 B263 - 41 ... - 750V4

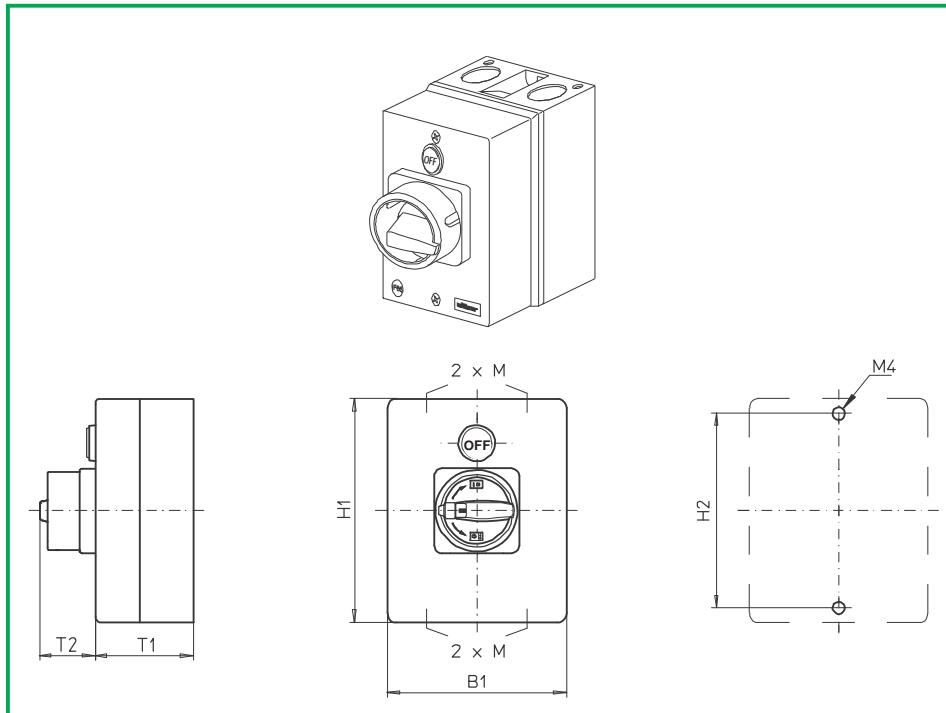


Note: For 3-pole switches use the switching programmes 41311, 41322 and 41331, for 4-pole switches use the switching programme 41411.
The auxiliary contact 21-22 (1 n/c) is reserved for the LED pilot light showing the OFF position of the main contacts.

SMD modules for basic switch A02			
Mounting form module for 750V1/ 750V4		B200-A	BFB2 - E7
Enclosure module, mounting form 750V1			PAH2 - 750V1
Enclosure module, mounting form 750V4			PAH2 - 750V4
Legend plate silver, enclosure module 750V1			FAS4 - 9... (FA number)
Legend plate yellow, enclosure module 750V4			FBS4 - 9... (FA number)
Remark to mounting form: Terminal capacity max. 16 mm ² on N-terminal and/or PE-terminal			

Dimensions (mm)						
Product lines	H1	B1	T1	T2	2xM	H2
B200-A	175	115	100	39	20/25	165

Enclosed Switches



**Product line
B200-A**

Enclosed switch

Insulated enclosure

175 x 115 x 100 mm

With cover interlock
in ON position

LED pilot light white
"OFF", LED for 24 VDC

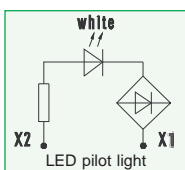
Cable entries

4 x M20/M25

755M1 (IP66)

755M4 (IP66)

Complete switch	Poles	Product lines	Rated data (IEC 60947)			Order code number
			Operational current I _e	Operational power at 380–440 V		
			AC-21A A	AC-23A kW	AC-3 kW	
Main Switches OFF position padlockable 09h	3 ... 4	B200-A	50 63	18,5 22	15 18,5	B250 - 41 ... - 755M1 B263 - 41 ... - 755M1
Main/Emergency-Off Switches OFF position padlockable 09h	3 ... 4	B200-A	50 63	18,5 22	15 18,5	B250 - 41 ... - 755M4 B263 - 41 ... - 755M4



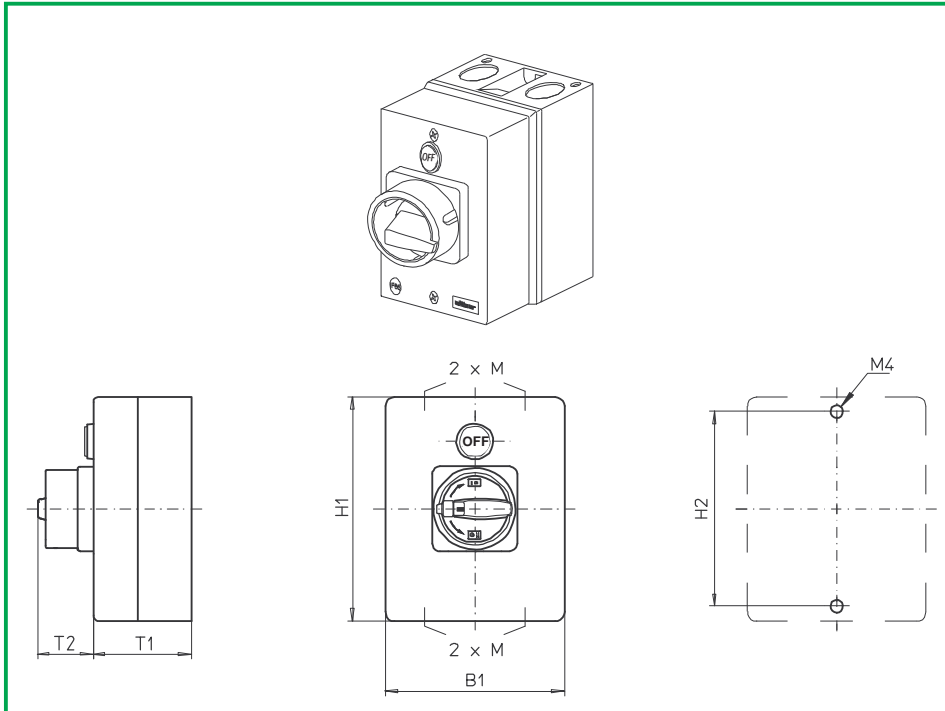
Note: For 3-pole switches use the switching programmes 41311, 41322 and 41331, for 4-pole switches use the switching programme 41411.
The auxiliary contact 21-22 (1 n/c) is reserved for the LED pilot light showing the OFF position of the main contacts.

SMD modules for basic switch A02			
Mounting form module for 755M1/ 755M4		B200-A	BFB2 - E7
Enclosure module, mounting form 755M1			PAH2 - 755M1
Enclosure module, mounting form 755M4			PAH2 - 755M4

Remark to mounting form:
Terminal capacity max. 16 mm² on N-terminal and/or PE-terminal

Dimensions (mm)						
Product lines	H1	B1	T1	T2	2xM	H2
B200-A	175	115	100	38	20/25	165

Enclosed Switches



**Product line
B200-A**

Enclosed switch

Insulated enclosure

175 x 115 x 100 mm

With cover interlock
in ON position

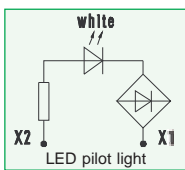
LED pilot light white
"OFF", LED for 24 VDC

Cable entries

4 x M20/M25

755M6 (IP66)

Complete switch	Poles	Product lines	Rated data (IEC 60947)			Order code number
			Operational current I_e	Operational power at 380–440 V		
			AC-21A A	AC-23A kW	AC-3 kW	
Main Switches OFF position padlockable 09h	3 ... 4	B200-A	50 63	18,5 22	15 18,5	B250 - 41 ... - 755M6 B263 - 41 ... - 755M6

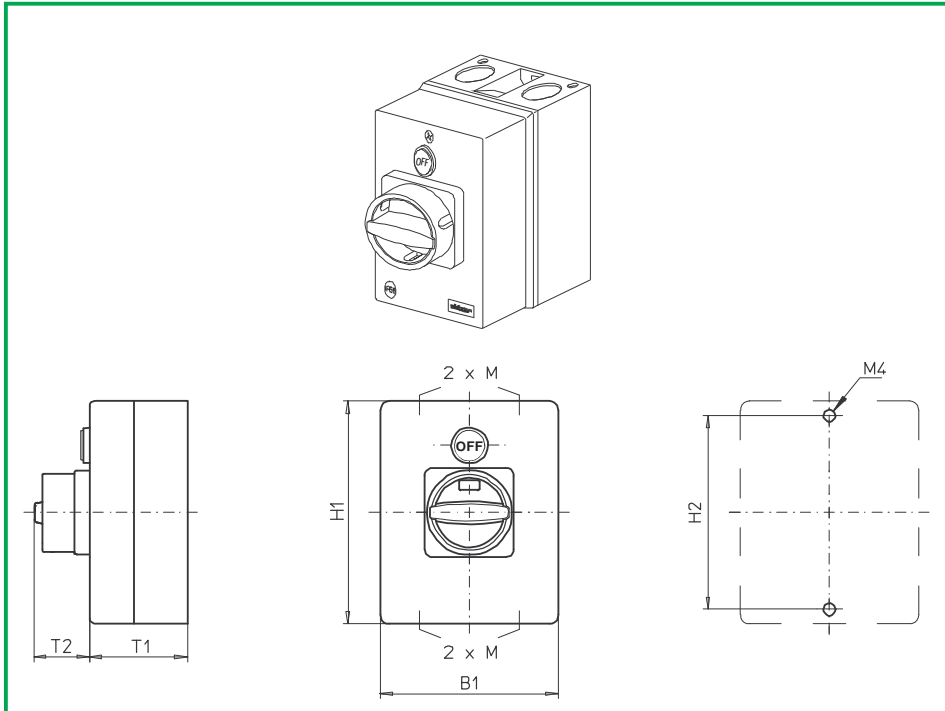


Note: For 3-pole switches use the switching programmes 41311, 41322 and 41331, for 4-pole switches use the switching programme 41411.
The auxiliary contact 21-22 (1 n/c) is reserved for the LED pilot light showing the OFF position of the main contacts.

SMD modules for basic switch A02			
Mounting form module for 755M6		B200-A	BFB2 - E7
Enclosure module, mounting form 755M6 Escutcheon grey, padlockable handle black			PAH2 - 755M6
Remark to mounting form: Terminal capacity max. 16 mm ² on N-terminal and/or PE-terminal			

Dimensions (mm)						
Product lines	H1	B1	T1	T2	2xM	H2
B200-A	175	115	100	38	20/25	165

Enclosed Switches



**Product line
B200-A**

Enclosed switch

Insulated enclosure
175 x 115 x 100 mm

With cover interlock
in ON position

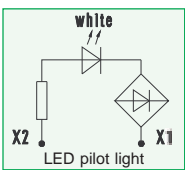
LED pilot light white
"OFF", LED for 24 VDC

Cable entries
4 x M20/M25

755N1 (IP66)

755N4 (IP66)

Complete switch	Poles	Product lines	Rated data (IEC 60947)			Order code number
			Operational current I _e	Operational power at 380–440 V		
			AC-21A A	AC-23A kW	AC-3 kW	
Main Switches OFF position padlockable 09h	3 ... 4	B200-A	50 63	18,5 22	15 18,5	B250 - 41 ... - 755N1 B263 - 41 ... - 755N1
Main/Emergency-Off Switches OFF position padlockable 09h	3 ... 4	B200-A	50 63	18,5 22	15 18,5	B250 - 41 ... - 755N4 B263 - 41 ... - 755N4



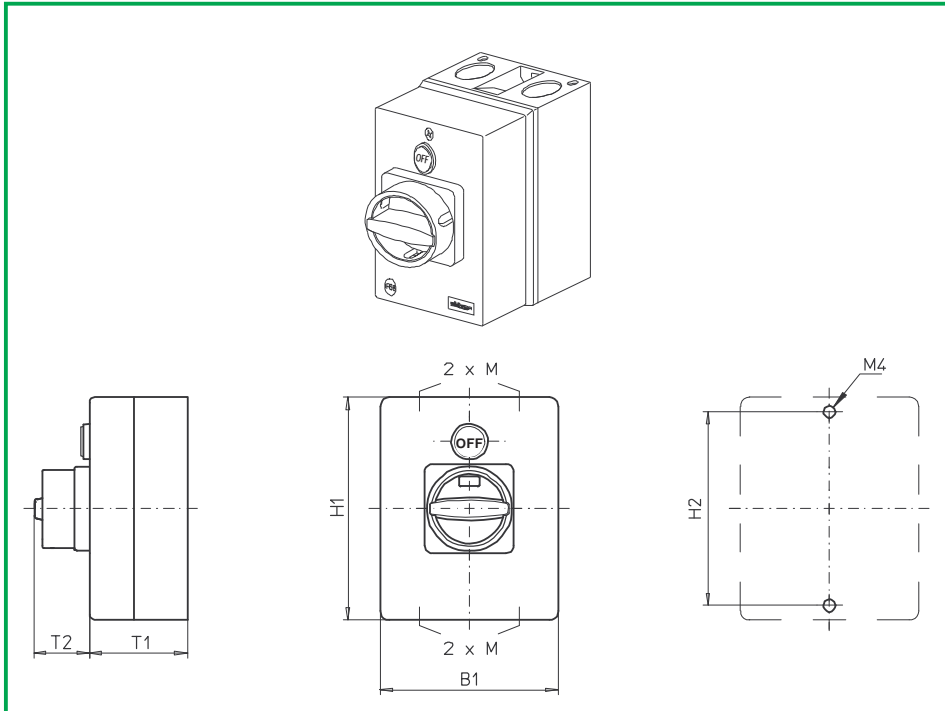
Note: For 3-pole switches use the switching programmes 41311, 41322 and 41331, for 4-pole switches use the switching programme 41411.
The auxiliary contact 21-22 (1 n/c) is reserved for the LED pilot light showing the OFF position of the main contacts.

SMD modules for basic switch A02			
Mounting form module for 755N1/ 755N4		B200-A	BFB2 - E7
Enclosure module, mounting form 755N1			PAH2 - 755N1
Enclosure module, mounting form 755N4			PAH2 - 755N4

Remark to mounting form:
Terminal capacity max. 16 mm² on N-terminal and/or PE-terminal

Dimensions (mm)						
Product lines	H1	B1	T1	T2	2xM	H2
B200-A	175	115	100	33	20/25	165

Enclosed Switches



**Product line
B200-A**

Enclosed switch

Insulated enclosure

175 x 115 x 100 mm

With cover interlock
in ON position

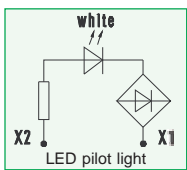
LED pilot light white
"OFF", LED for 24 VDC

Cable entries

4 x M20/M25

755N6 (IP66)

Complete switch	Poles	Product lines	Rated data (IEC 60947)			Order code number
			Operational current I_e	Operational power at 380–440 V		
			AC-21A A	AC-23A kW	AC-3 kW	
Main Switches	3 ... 4	B200-A	50	18,5	15	B250 - 41 ... - 755N6
OFF position padlockable 09h			63	22	18,5	B263 - 41 ... - 755N6



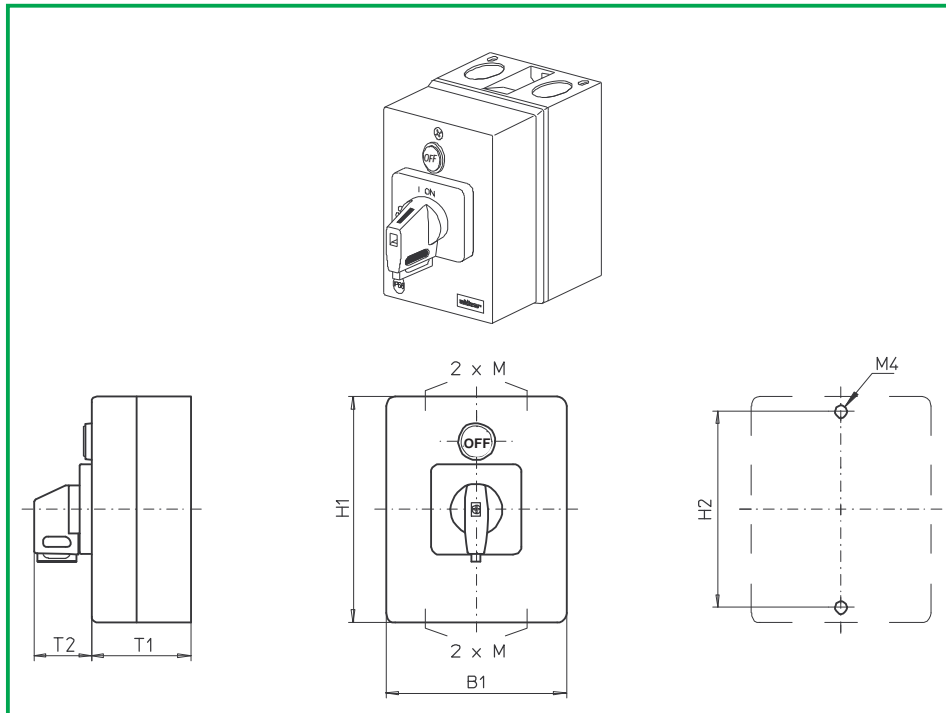
Note: For 3-pole switches use the switching programmes 41311, 41322 and 41331, for 4-pole switches use the switching programme 41411.
The auxiliary contact 21-22 (1 n/c) is reserved for the LED pilot light showing the OFF position of the main contacts.

SMD modules for basic switch A02	Product lines	Order code number
Mounting form module for 755N6	B200-A	BFB2 - E7
Enclosure module, mounting form 755N6 Escutcheon grey, padlockable handle black		PAH2 - 755N6

Remark to mounting form:
Terminal capacity max. 16 mm² on N-terminal and/or PE-terminal

Dimensions (mm)						
Product lines	H1	B1	T1	T2	2xM	H2
B200-A	175	115	100	33	20/25	165

Enclosed Switches



Product line
B200-A

Enclosed switch

Insulated enclosure

175 x 115 x 100 mm

With cover interlock
in ON position

LED pilot light white
"OFF", LED for 24 VDC

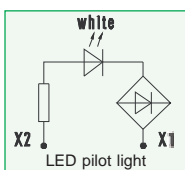
Cable entries

4 x M20/M25

755V1 (IP66)

755V4 (IP66)

Complete switch	Poles	Product lines	Rated data (IEC 60947)			Order code number
			Operational current I_e	Operational power at 380–440 V		
			AC-21A A	AC-23A kW	AC-3 kW	
Main Switches OFF position padlockable 09h	3 ... 4	B200-A	50 63	18,5 22	15 18,5	B250 - 41 ... - 755V1 B263 - 41 ... - 755V1
Main/Emergency-Off Switches OFF position padlockable 09h	3 ... 4	B200-A	50 63	18,5 22	15 18,5	B250 - 41 ... - 755V4 B263 - 41 ... - 755V4

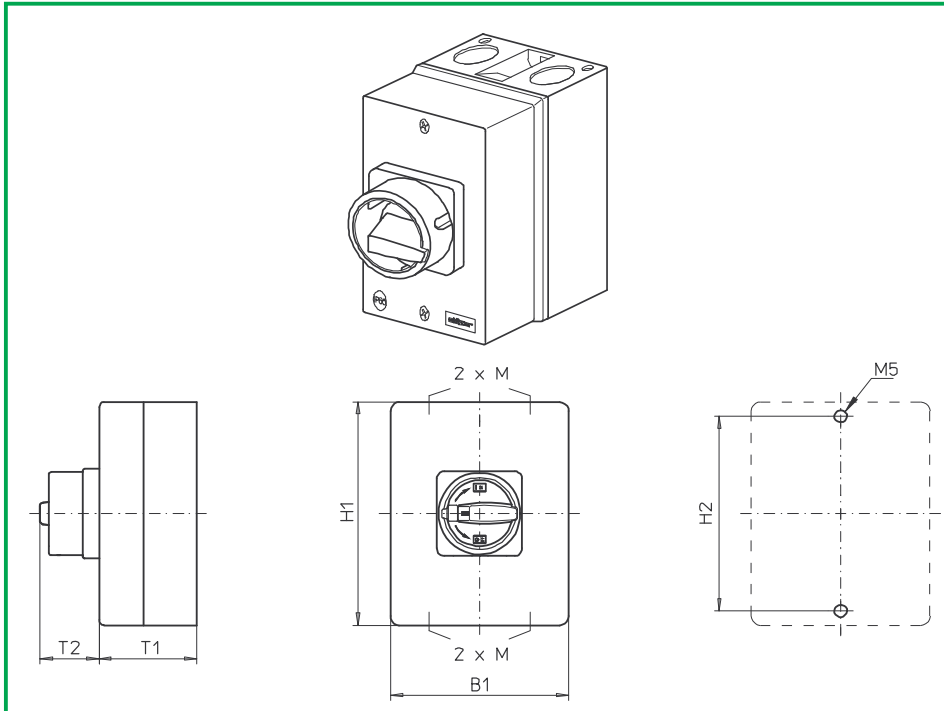


Note: For 3-pole switches use the switching programmes 41311, 41322 and 41331, for 4-pole switches use the switching programme 41411.
The auxiliary contact 21-22 (1 n/c) is reserved for the LED pilot light showing the OFF position of the main contacts.

SMD modules for basic switch A02			
Mounting form module for 755V1/ 755V4		B200-A	BFB2 - E7
Enclosure module, mounting form 755V1			PAH2 - 755V1
Enclosure module, mounting form 755V4			PAH2 - 755V4
Legend plate silver, enclosure module 755V1			FAS4 - 9... (FA number)
Legend plate yellow, enclosure module 755V4			FBS4 - 9... (FA number)
Remark to mounting form: Terminal capacity max. 16 mm ² on N-terminal and/or PE-terminal			

Dimensions (mm)						
Product lines	H1	B1	T1	T2	2xM	H2
B200-A	175	115	100	39	20/25	165

Enclosed Switches



Product line
B200-A

Enclosed switch

Insulated enclosure

250 x 160 x 120 mm

With cover interlock
in ON position

with N/PE connection link

Cable entries

4 x M32/ M40

730M1 (IP66)

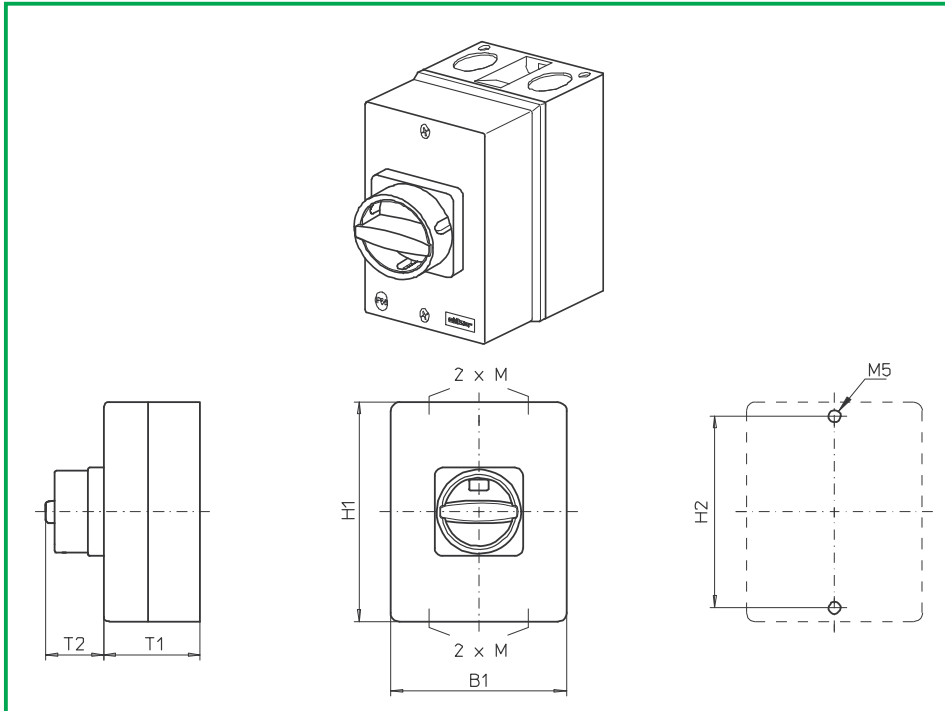
730M4 (IP66)

Complete switch	Poles	Product lines	Rated data (IEC 60947)			Order code number
			Operational current I _e	Operational power at 380–440 V		
			AC-21A A	AC-23A kW	AC-3 kW	
Main Switches OFF position padlockable 09h	3 ... 4	B200-A	50 63	18,5 22	15 18,5	B250 - 41 ... - 730M1 B263 - 41 ... - 730M1
Main/Emergency-Off Switches OFF position padlockable 09h	3 ... 4	B200-A	50 63	18,5 22	15 18,5	B250 - 41 ... - 730M4 B263 - 41 ... - 730M4

SMD modules for basic switch A02						
Mounting form module (switch module ED)				B200-A		BFD2 - ED
Enclosure module, mounting form 730M1						PAB2 - 730M1
Enclosure module, mounting form 730M4						PAB2 - 730M4

Dimensions (mm)							
Product line	H1	B1	T1	T2	2xM	H2	
B200-A	250	160	120	50	32/40	235	

Enclosed Switches



Product line
B200-A

Enclosed switch

Insulated enclosure
250 x 160 x 120 mm

With cover interlock
in ON position

with N/PE connection link

Cable entries
4 x M32/ M40

730N1 (IP66)

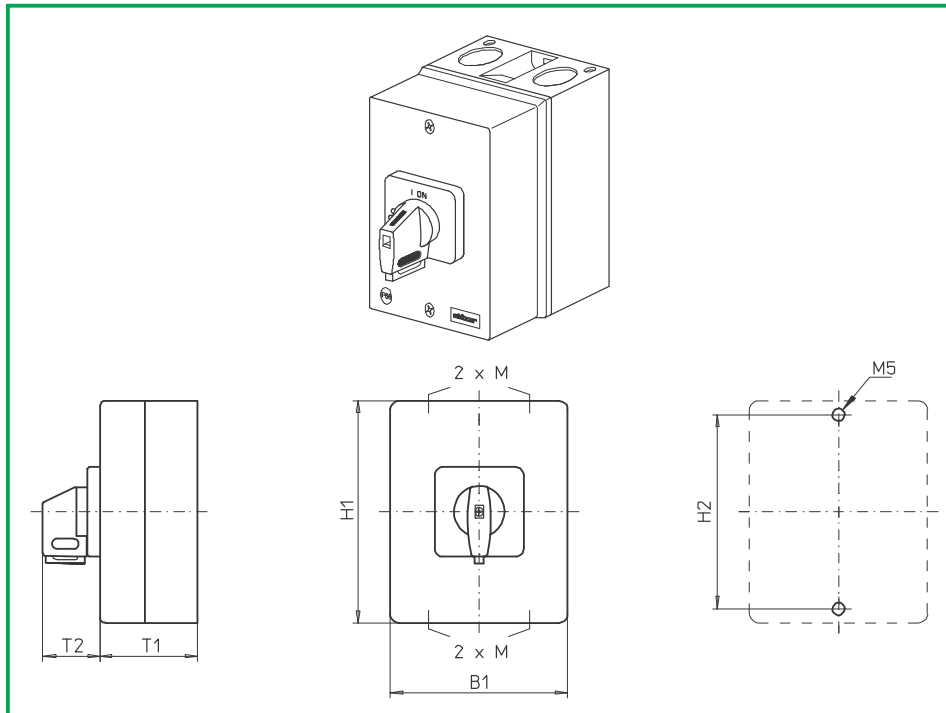
730N4 (IP66)

Complete switch	Poles	Product lines	Rated data (IEC 60947)			Order code number
			Operational current I _e	Operational power at 380–440 V		
			AC-21A A	AC-23A kW	AC-3 kW	
Main Switches OFF position padlockable 09h	3 ... 4	B200-A	50 63	18,5 22	15 18,5	B250 - 41 ... - 730N1 B263 - 41 ... - 730N1
Main/Emergency-Off Switches OFF position padlockable 09h	3 ... 4	B200-A	50 63	18,5 22	15 18,5	B250 - 41 ... - 730N4 B263 - 41 ... - 730N4

SMD modules for basic switch A02						
Mounting form module (switch module ED)				B200-A		BFD2 - ED
Enclosure module, mounting form 730N1						PAB2 - 730N1
Enclosure module, mounting form 730N4						PAB2 - 730N4

Dimensions (mm)						
Product line	H1	B1	T1	T2	2xM	H2
B200-A	250	160	120	45	32/40	235

Enclosed Switches



**Product line
B200-A**

Enclosed switch

Insulated enclosure
250 x 160 x 120 mm

With cover interlock
in ON position

with N/PE connection link

Cable entries
4 x M32/ M40

730V1 (IP66)

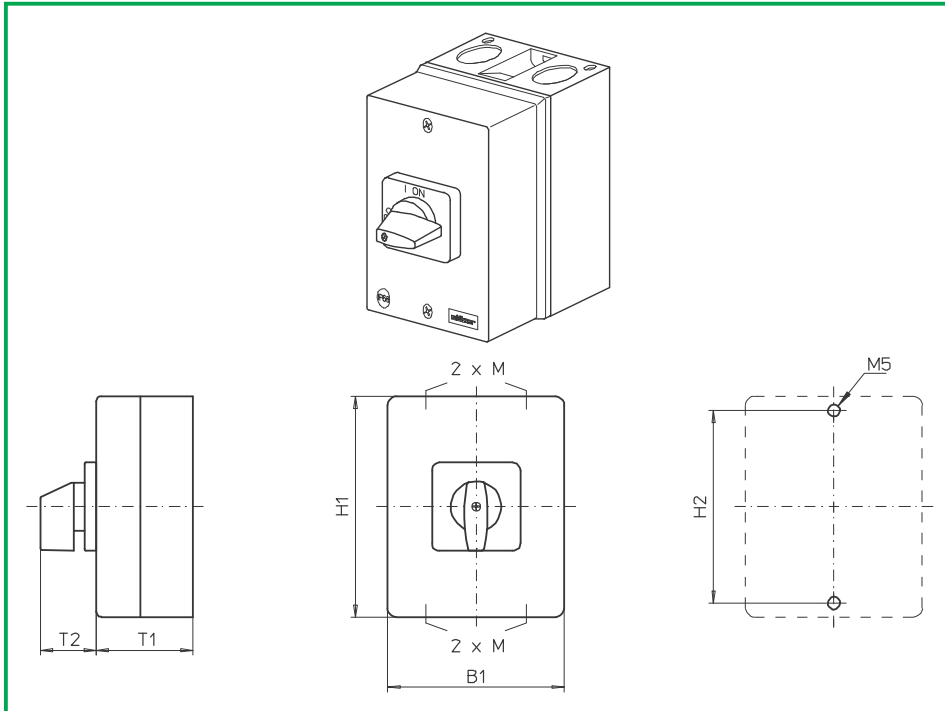
730V4 (IP66)

Complete switch	Poles	Product lines	Rated data (IEC 60947)			Order code number
			Operational current I_e	Operational power at 380–440 V		
			AC-21A A	AC-23A kW	AC-3 kW	
Main Switches OFF position padlockable 09h	3 ... 4	B200-A	50 63	18,5 22	15 18,5	B250 - 41 ... - 730V1 B263 - 41 ... - 730V1
Main/Emergency-Off Switches OFF position padlockable 09h	3 ... 4	B200-A	50 63	18,5 22	15 18,5	B250 - 41 ... - 730V4 B263 - 41 ... - 730V4

SMD modules for basic switch A02		
Mounting form module (switch module ED)	B200-A	BFD2 - ED
Enclosure module, mounting form 730V1		PAB2 - 730V1
Enclosure module, mounting form 730V4		PAB2 - 730V4
Legend plate silver, enclosure module 730V1		FAS4 - 9... (FA number)
Legend plate yellow, enclosure module 730V4		FBS4 - 9... (FA number)

Dimensions (mm)						
Product line	H1	B1	T1	T2	2xM	H2
B200-A	250	160	120	39	32/40	235

Enclosed Switches



**Product line
B200-A**

Enclosed switch

Insulated enclosure

250 x 160 x 120 mm

With cover interlock
in ON position

with N/PE connection link

Cable entries

4 x M32/ M40

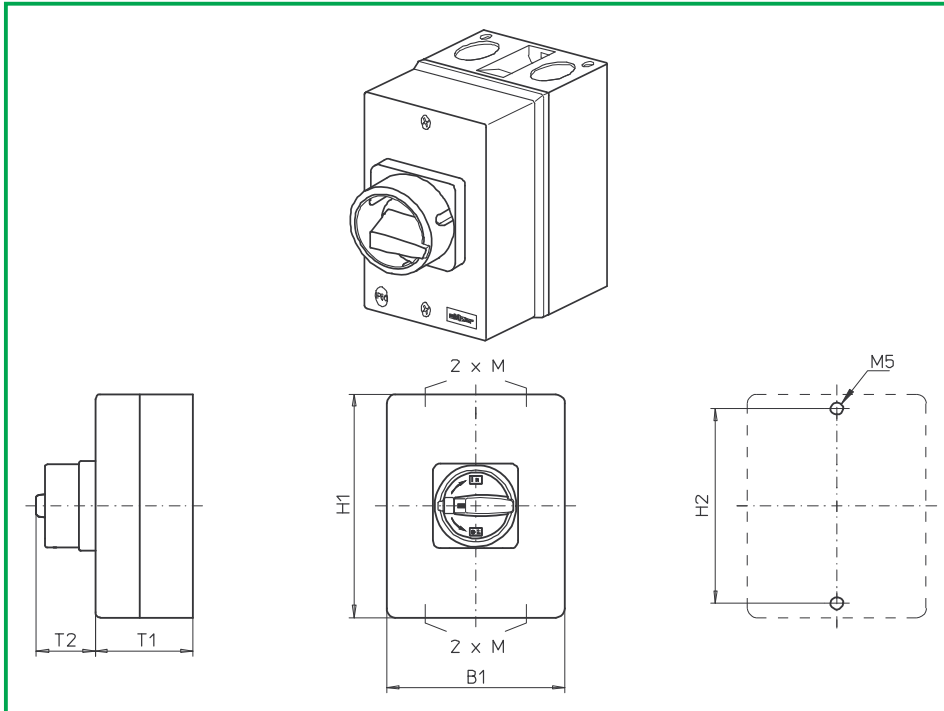
731M1 (IP66)

Complete switch	Poles	Product lines	Rated data (IEC 60947)			Order code number
			Operational current I_e	Operational power at 380–440 V		
			AC-21A A	AC-23A kW	AC-3 kW	
ON-OFF Switches Switching angle 90°	3 ... 4	B200-A	50 63	18,5 22	15 18,5	B250 - 41 ... - 731M1 B263 - 41 ... - 731M1

SMD modules for basic switch A02						
Mounting form module (switch module ED)				B200-A		BFD2 - ED
Enclosure module, mounting form 731M1						PAB2 - 731M1
Legend plate silver, enclosure module 731M1						FAS4 - 9... (FA number)

Dimensions (mm)						
Product line	H1	B1	T1	T2	2xM	H2
B200-A	250	160	120	39	32/40	235

Enclosed Switches



Product line
B200-A

Enclosed switch

Insulated enclosure
250 x 160 x 120 mm

With cover interlock
in ON position

with PE connection link

Cable entries
4 x M32/ M40

735M1 (IP66)

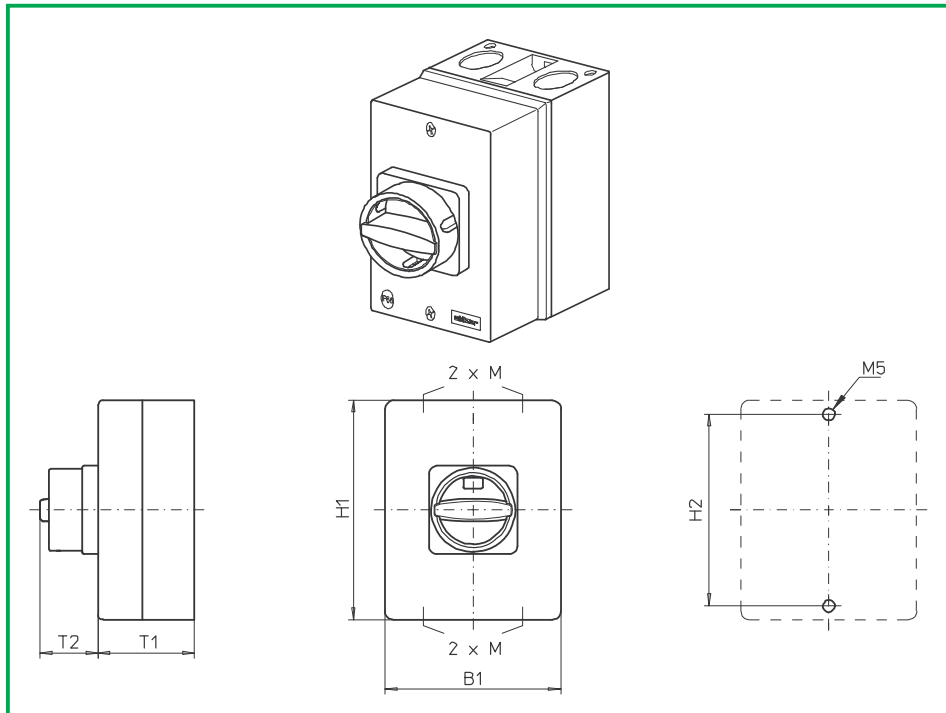
735M4 (IP66)

Complete switch	Poles	Product lines	Rated data (IEC 60947)			Order code number
			Operational current I _e	Operational power at 380–440 V		
			AC-21A A	AC-23A kW	AC-3 kW	
Main Switches OFF position padlockable 09h	3 ... 4	B200-A	50	18,5	15	B250 - 41 ... - 735M1
			63	22	18,5	B263 - 41 ... - 735M1
Main/Emergency-Off Switches OFF position padlockable 09h	3 ... 4	B200-A	50	18,5	15	B250 - 41 ... - 735M4
			63	22	18,5	B263 - 41 ... - 735M4

SMD modules for basic switch A02						
Mounting form module (switch module ED)				B200-A		BFD2 - ED
Enclosure module, mounting form 735M1						PAB2 - 735M1
Enclosure module, mounting form 735M4						PAB2 - 735M4

Dimensions (mm)						
Product line	H1	B1	T1	T2	2xM	H2
B200-A	250	160	120	50	32/40	235

Enclosed Switches



**Product line
B200-A**

Enclosed switch

Insulated enclosure
250 x 160 x 120 mm

With cover interlock
in ON position

with PE connection link

Cable entries
4 x M32/ M40

735N1 (IP66)

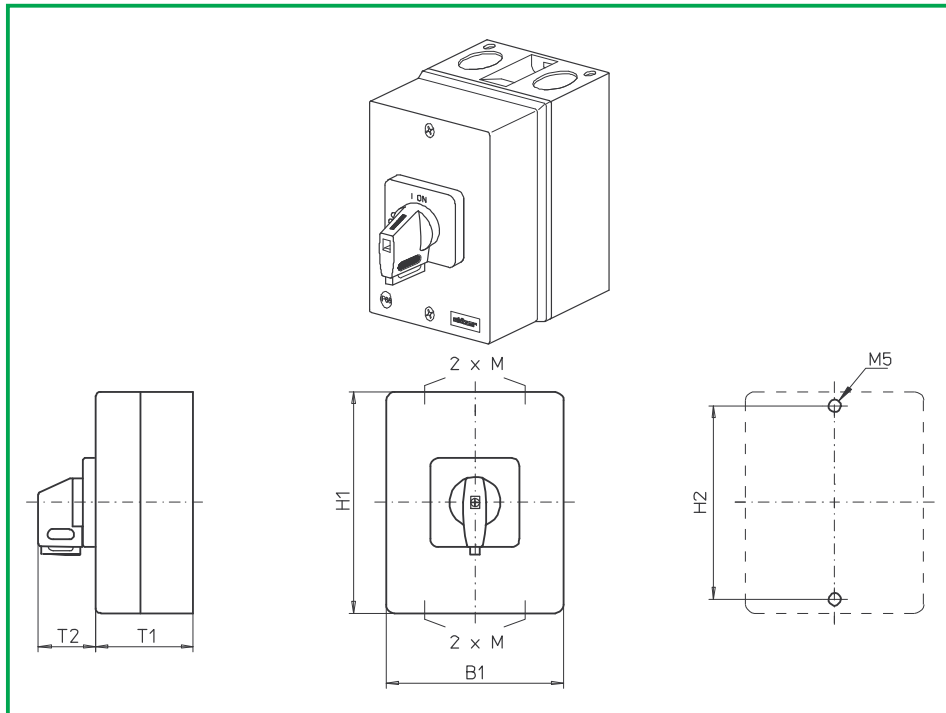
735N4 (IP66)

Complete switch	Poles	Product lines	Rated data (IEC 60947)			Order code number
			Operational current I_e	Operational power at 380–440 V		
			AC-21A A	AC-23A kW	AC-3 kW	
Main Switches OFF position padlockable 09h	3 ... 4	B200-A	50 63	18,5 22	15 18,5	B250 - 41 ... - 735N1 B263 - 41 ... - 735N1
Main/Emergency-Off Switches OFF position padlockable 09h	3 ... 4	B200-A	50 63	18,5 22	15 18,5	B250 - 41 ... - 735N4 B263 - 41 ... - 735N4

SMD modules for basic switch A02						
Mounting form module (switch module ED)				B200-A		BFD2 - ED
Enclosure module, mounting form 735N1						PAB2 - 735N1
Enclosure module, mounting form 735N4						PAB2 - 735N4

Dimensions (mm)						
Product line	H1	B1	T1	T2	2xM	H2
B200-A	250	160	120	45	32/40	235

Enclosed Switches



**Product line
B200-A**

Enclosed switch

Insulated enclosure
250 x 160 x 120 mm

With cover interlock
in ON position

with PE connection link

Cable entries
4 x M32/ M40

735V1 (IP66)

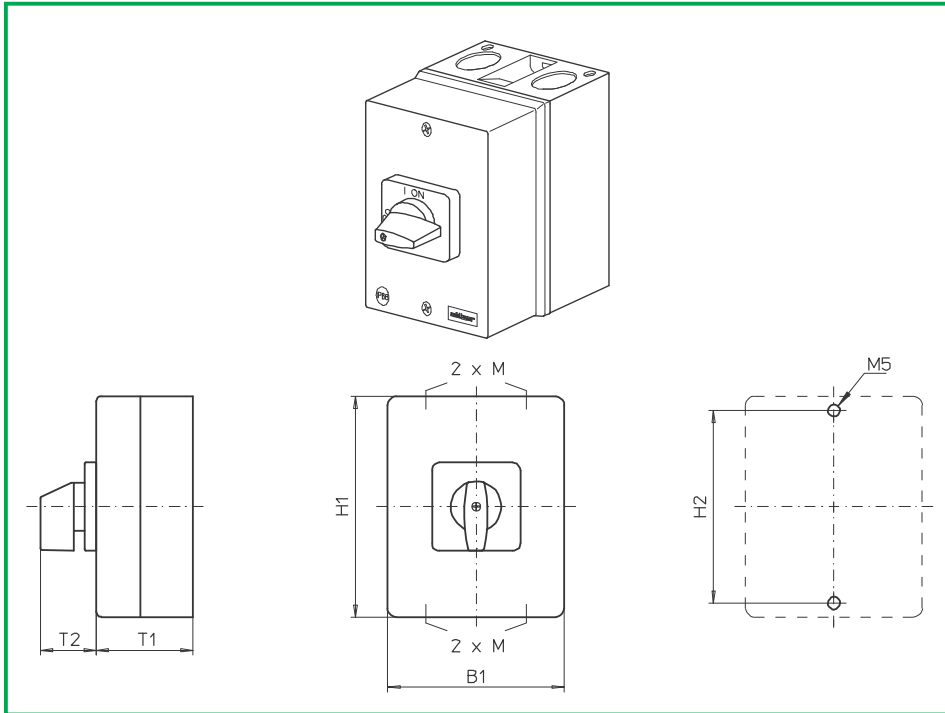
735V4 (IP66)

Complete switch	Poles	Product lines	Rated data (IEC 60947)			Order code number
			Operational current I _e	Operational power at 380–440 V		
			AC-21A A	AC-23A kW	AC-3 kW	
Main Switches OFF position padlockable 09h	3 ... 4	B200-A	50 63	18,5 22	15 18,5	B250 - 41 ... - 735V1 B263 - 41 ... - 735V1
Main/Emergency-Off Switches OFF position padlockable 09h	3 ... 4	B200-A	50 63	18,5 22	15 18,5	B250 - 41 ... - 735V4 B263 - 41 ... - 735V4

SMD modules for basic switch A02		
Mounting form module (switch module ED)	B200-A	BFD2 - ED
Enclosure module, mounting form 735V1		PAB2 - 735V1
Enclosure module, mounting form 735V4		PAB2 - 735V4
Legend plate silver, enclosure module 735V1		FAS4 - 9... (FA number)
Legend plate yellow, enclosure module 735V4		FBS4 - 9... (FA number)

Dimensions (mm)						
Product line	H1	B1	T1	T2	2xM	H2
B200-A	250	160	120	39	32/40	235

Enclosed Switches



**Product line
B200-A**

Enclosed switch

Insulated enclosure

250 x 160 x 120 mm

With cover interlock
in ON position

with PE connection link

Cable entries

4 x M32/ M40

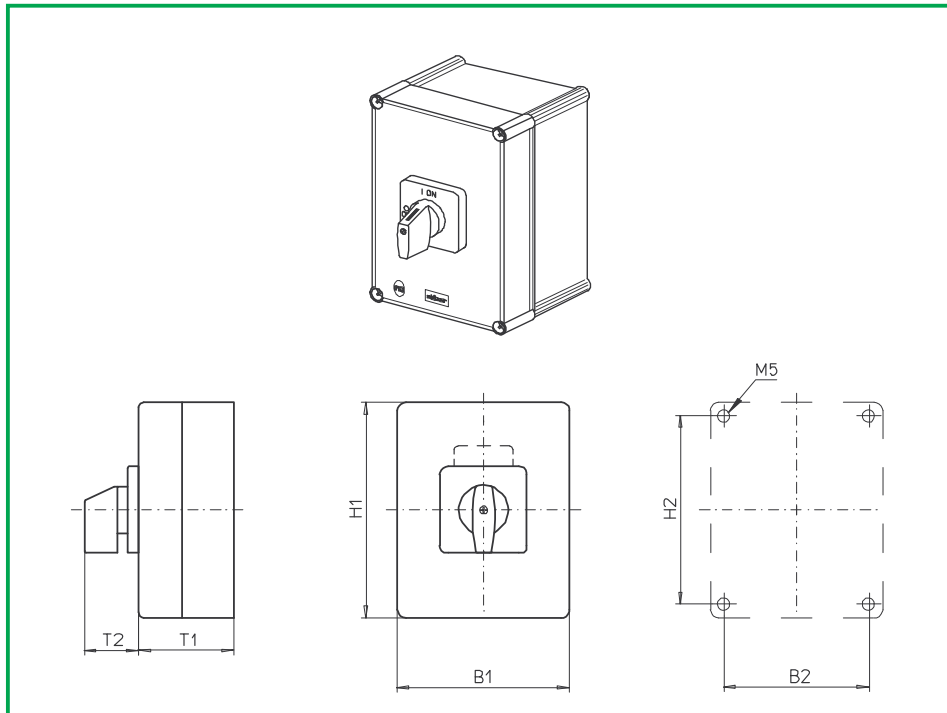
736M1 (IP66)

Complete switch	Poles	Product lines	Rated data (IEC 60947)			Order code number
			Operational current I_e	Operational power at 380–440 V		
			AC-21A A	AC-23A kW	AC-3 kW	
ON-OFF Switches Switching angle 90°	3 ... 4	B200-A	50 63	18,5 22	15 18,5	B250 - 41 ... - 736M1 B263 - 41 ... - 736M1

SMD modules for basic switch A02						
Mounting form module (switch module ED)				B200-A		BFD2 - ED
Enclosure module, mounting form 736M1						PAB2 - 736M1
Legend plate silver, enclosure module 736M1						FAS4 - 9... (FA number)

Dimensions (mm)						
Product line	H1	B1	T1	T2	2xM	H2
B200-A	250	160	120	39	32/40	235

Enclosed Switches



**Product line
B200-D**

Enclosed switch

Insulated enclosure
280 x 190 x 130 mm

With cover interlock
in ON position

with 2 PE Terminals
without N Terminal

Cable entries
without

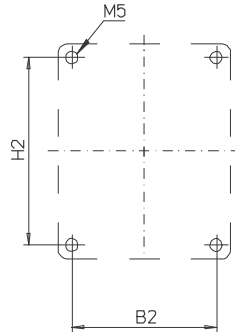
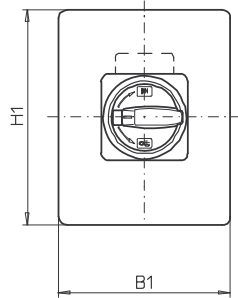
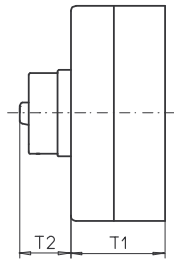
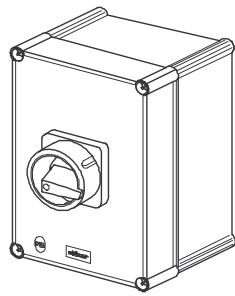
741M1 (IP66)

Complete switch	Poles	Product lines	Rated data (IEC 60947)			Order code number
			Operational current I _e	Operational power at 380–440 V		
			AC-21A A	AC-23A kW	AC-3 kW	
ON-OFF Switches Switching angle 90°	6	B200-D	50 63	18,5 22	15 18,5	B250 - 41 ... - 741M1 B263 - 41 ... - 741M1

SMD modules for basic switch A02						
Mounting form module for 741M1				B200-D		BFB2 - E6
Enclosure module, mounting form 741M1						PAB2 - 741M1
Legend plate silver, enclosure module 741M1						FAS4 - 9... (FA number)
Remark to mounting form: Terminal capacity max. 16 mm ² on N-terminal and/or PE-terminal						

Dimensions (mm)						
Product line	H1	B1	T1	T2	H2	B2
B200-D	280	190	130	39	254	164

Enclosed Switches



Product line
B200-D

Enclosed switch

Insulated enclosure

280 x 190 x 130 mm

With cover interlock
in ON position

with 2 PE Terminals
without N Terminal

Cable entries

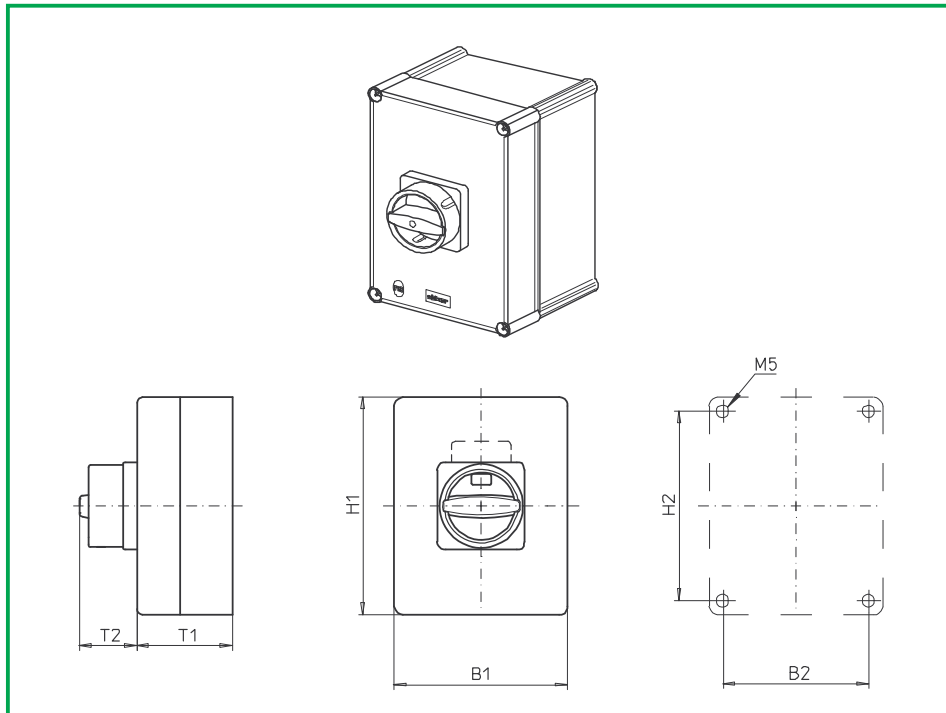
without

740M1 (IP66)

740M4 (IP66)

Complete switch	Poles	Product lines	Rated data (IEC 60947)			Order code number
			Operational current I _e	Operational power at 380–440 V		
			AC-21A A	AC-23A kW	AC-3 kW	
Main Switches OFF position padlockable 09h	6	B200-D	50 63	18,5 22	15 18,5	B250 - 41 ... - 740M1 B263 - 41 ... - 740M1
Main/Emergency-Off Switches OFF position padlockable 09h	6	B200-D	50 63	18,5 22	15 18,5	B250 - 41 ... - 740M4 B263 - 41 ... - 740M4
SMD modules for basic switch A02						
Mounting form module for 740M1/ 740M4				B200-D		BFB2 - E6
Enclosure module, mounting form 740M1						PAB2 - 740M1
Enclosure module, mounting form 740M4						PAB2 - 740M4
Remark to mounting form: Terminal capacity max. 16 mm ² on N-terminal and/or PE-terminal						
Dimensions (mm)						
Product line	H1	B1	T1	T2	H2	B2
B200-D	280	190	130	50	254	164

Enclosed Switches



Product line
B200-D

Enclosed switch

Insulated enclosure

280 x 190 x 130 mm

With cover interlock
in ON position

with 2 PE Terminals
without N Terminal

Cable entries
without

740N1 (IP66)

740N4 (IP66)

Complete switch	Poles	Product lines	Rated data (IEC 60947)			Order code number
			Operational current I_e	Operational power at 380–440 V		
			AC-21A A	AC-23A kW	AC-3 kW	
Main Switches OFF position padlockable 09h	6	B200-D	50 63	18,5 22	15 18,5	B250 - 41 ... - 740N1 B263 - 41 ... - 740N1
Main/Emergency-Off Switches OFF position padlockable 09h	6	B200-D	50 63	18,5 22	15 18,5	B250 - 41 ... - 740N4 B263 - 41 ... - 740N4

SMD modules for basic switch A02

Mounting form module for 740N1/ 740N4

B200-D

BFB2 - E6

Enclosure module, mounting form 740N1
Enclosure module, mounting form 740N4

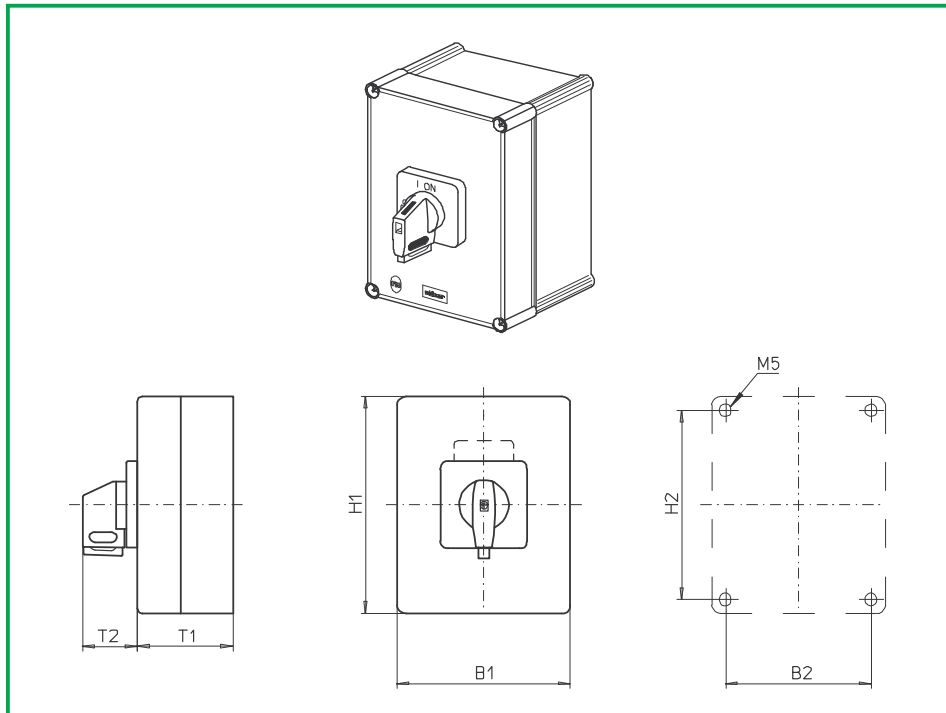
PAB2 - 740N1
PAB2 - 740N4

Remark to mounting form:
Terminal capacity max. 16 mm² on N-terminal and/or PE-terminal

Dimensions (mm)

Product line	H1	B1	T1	T2	H2	B2
B200-D	280	190	130	45	254	164

Enclosed Switches



**Product line
B200-D**

Enclosed switch

Insulated enclosure
280 x 190 x 130 mm

With cover interlock
in ON position

with 2 PE Terminals
without N Terminal

Cable entries
without

740V1 (IP66)

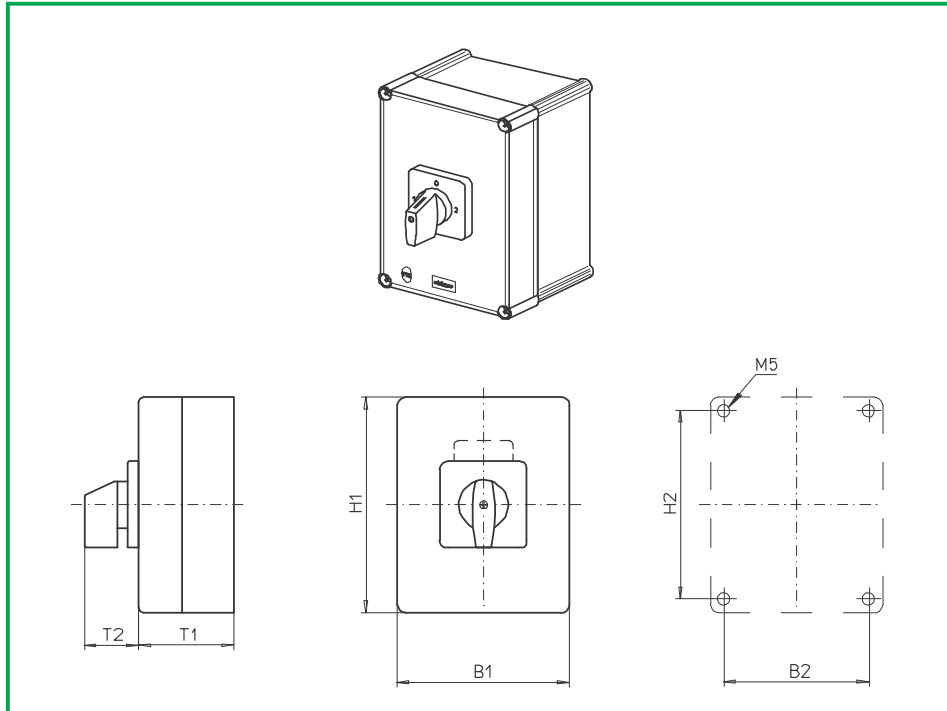
740V4 (IP66)

Complete switch	Poles	Product lines	Rated data (IEC 60947)			Order code number
			Operational current I _e	Operational power at 380–440 V		
			AC-21A A	AC-23A kW	AC-3 kW	
Main Switches OFF position padlockable 09h	6	B200-D	50 63	18,5 22	15 18,5	B250 - 41 ... - 740V1 B263 - 41 ... - 740V1
Main/Emergency-Off Switches OFF position padlockable 09h	6	B200-D	50 63	18,5 22	15 18,5	B250 - 41 ... - 740V4 B263 - 41 ... - 740V4

SMD modules for basic switch A02			
Mounting form module for 740V1/ 740V4	B200-D		BFB2 - E6
Enclosure module, mounting form 740V1			PAB2 - 740V1
Enclosure module, mounting form 740V4			PAB2 - 740V4
Legend plate silver, enclosure module 740V1			FAS4 - 9... (FA number)
Legend plate yellow, enclosure module 740V4			FBS4 - 9... (FA number)
Remark to mounting form: Terminal capacity max. 16 mm ² on N-terminal and/or PE-terminal			

Dimensions (mm)						
Product line	H1	B1	T1	T2	H2	B2
B200-D	280	190	130	39	254	164

Enclosed Switches



Product line
B200-E

Enclosed switch

Insulated enclosure

280 x 190 x 130 mm

With cover interlock
in ON position

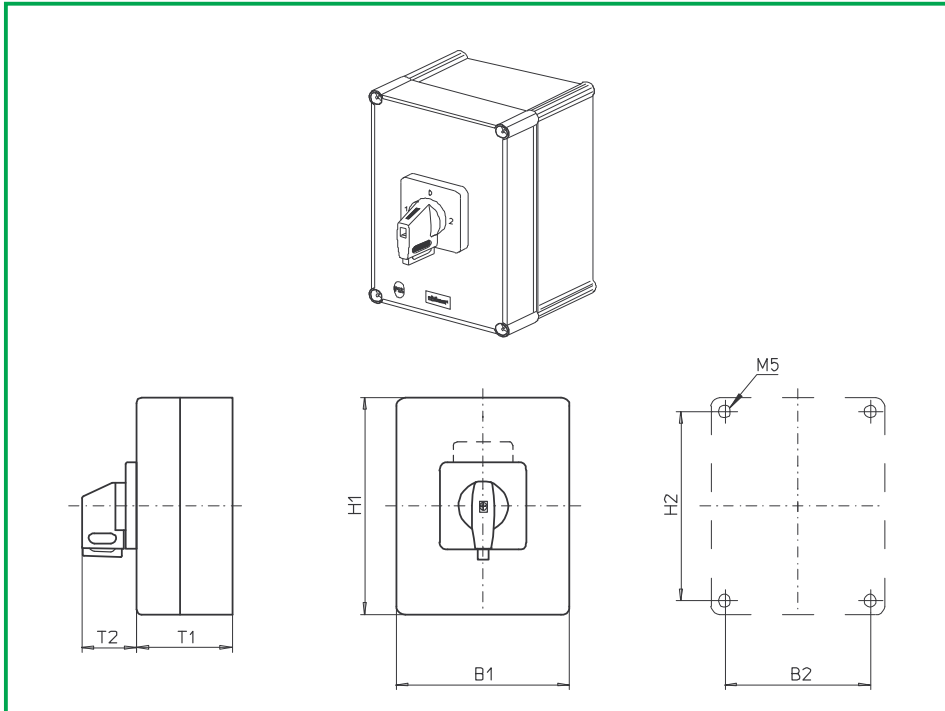
with 2 PE Terminals
without N Terminal

Cable entries
without

742M1 (IP66)

Complete switch	Poles	Product lines	Rated data (IEC 60947)			Order code number
			Operational current I_e	Operational power at 380–440 V		
			AC-21A A	AC-23A kW	AC-3 kW	
Changeover with OFF Switching angle 90°	3	B200-E	50	18,5	15	B250 - 71 ... - 742M1
			63	22	18,5	B263 - 71 ... - 742M1
SMD modules for basic switch A02						
Mounting form module for 742M1			B200-E			BFB2 - E6
Enclosure module, mounting form 742M1						PAB2 - 742M1
Legend plate silver, enclosure module 742M1						FAS4 - 9... (FA number)
Remark to mounting form: Terminal capacity max. 16 mm ² on N-terminal and/or PE-terminal						
Dimensions (mm)						
Product line	H1	B1	T1	T2	H2	B2
B200-E	280	190	130	39	254	164

Enclosed Switches



Product line
B200-E

Enclosed switch

Insulated enclosure

280 x 190 x 130 mm

With cover interlock
in ON position

with 2 PE Terminals
without N Terminal

Cable entries
without

742V1 (IP66)

743V1 (IP66)

Complete switch	Poles	Product lines	Rated data (IEC 60947)			Order code number
			Operational current I _e	Operational power at 380–440 V		
			AC-21A A	AC-23A kW	AC-3 kW	
Changeover with OFF Switching angle 90° OFF position padlockable 12h	3	B200-E	50	18,5	15	B250 - 71 ... - 742V1
			63	22	18,5	B263 - 71 ... - 742V1
Changeover with OFF Switching angle 90° 3 positions padlockable (09h/12h/03h)	3	B200-E	50	18,5	15	B250 - 71 ... - 743V1
			63	22	18,5	B263 - 71 ... - 743V1

SMD modules for basic switch A02

Mounting form module for 742V1/ 743V1

B200-E

BFB2 - E6

Enclosure module, mounting form 742V1

PAB2 - 742V1

Enclosure module, mounting form 743V1

PAB2 - 743V1

Legend plate silver, enclosure modules 742V1/ 743V1

FAS4 - 9... (FA number)

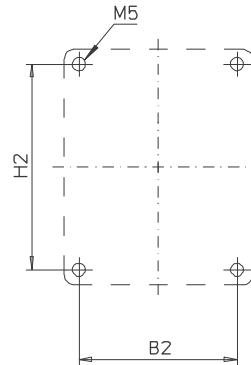
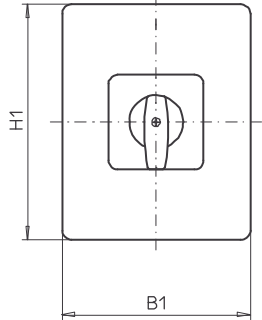
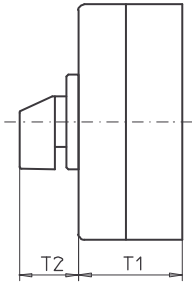
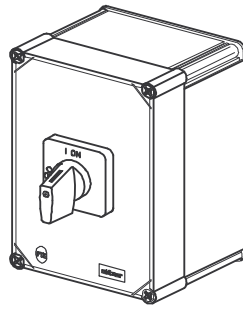
Remark to mounting form:

Terminal capacity max. 16 mm² on N-terminal and/or PE-terminal

Dimensions (mm)

Product line	H1	B1	T1	T2	H2	B2
B200-E	280	190	130	39	254	164

Enclosed Switches



Product lines
B200-D/ -E

Enclosed switch

Insulated enclosure

320 x 220 x 180 mm

With cover interlock
in ON position

Cable entries

Gland plates

976M1 (IP66)

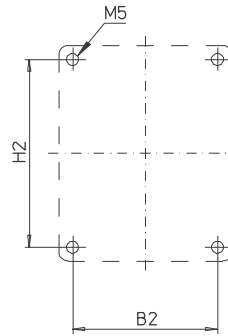
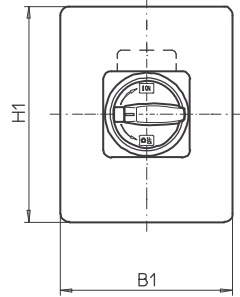
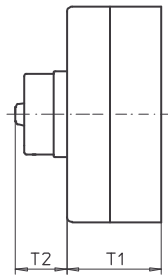
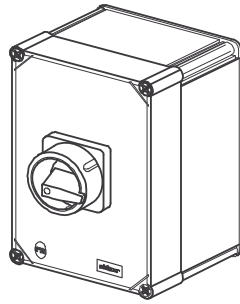
978M1 (IP66)

Complete switch	Poles	Product lines	Rated data (IEC 60947)			Order code number
			Operational current I _e	Operational power at 380–440 V		
			AC-21A A	AC-23A kW	AC-3 kW	
ON-OFF Switches Switching angle 90°	6 ... 8	B200-D	50 63	18,5 22	15 18,5	B250 - 41 ... - 976M1 B263 - 41 ... - 976M1
Changeover with OFF Switching angle 90°	3 ... 4	B200-E	50 63	18,5 22	15 18,5	B250 - 71 ... - 978M1 B263 - 71 ... - 978M1

SMD modules for basic switch A02		
Mounting form module (switch module ED)	B200-D	BFE2 - ED
Mounting form module (switch module ED)	B200-E	BFF2 - ED
Enclosure module, mounting form 978M1	B200-D	PAB2 - 978M1
Enclosure module, mounting form 976M1	B200-E	PAB2 - 976M1
Legend plate silver, enclosure module 976M1/ 978M1	B200-E/ -D	FAS6 - 9 ... (FA number)

Dimensions (mm)						
Product lines	H1	B1	T1	T2	H2	B2
B200-D	320	220	180	52	293	193
B200-E	320	220	180	52	293	193

Enclosed Switches



**Product line
B200-D**

Enclosed switch

Insulated enclosure
320 x 220 x 180 mm

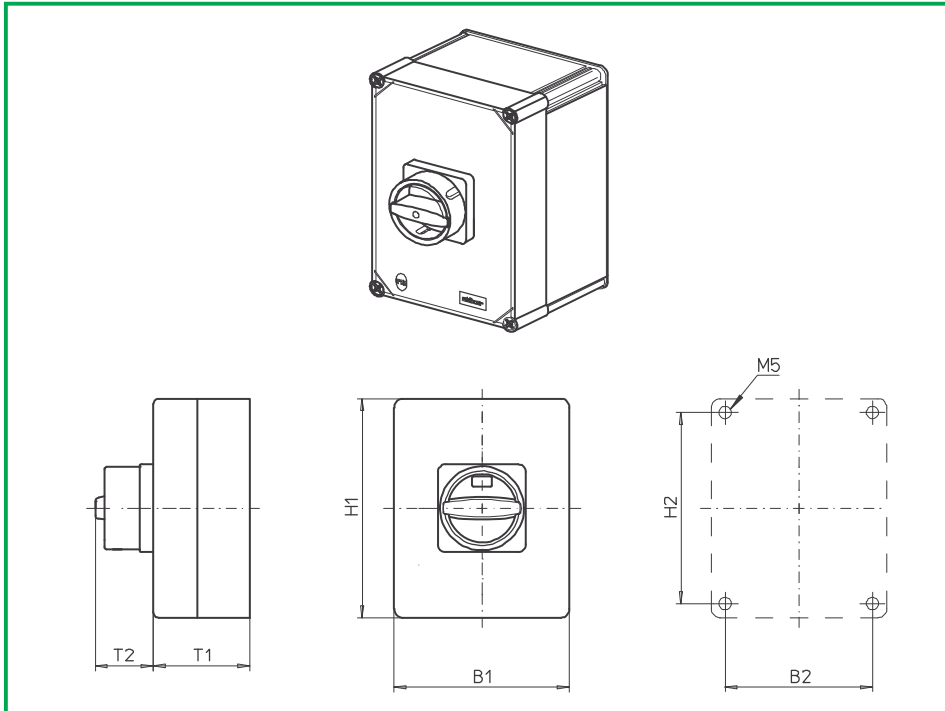
With cover interlock
in ON position

Cable entries
Gland plates

977M1 (IP66)
977M4 (IP66)

Complete switch	Poles	Product lines	Rated data (IEC 60947)			Order code number
			Operational current I _e AC-21A A	Operational power at 380–440 V AC-23A kW	AC-3 kW	
Main Switches OFF position padlockable 09h	6 ... 8	B200-D	50	18,5	15	B250 - 41 ... - 977M1
			63	22	18,5	B263 - 41 ... - 977M1
Main/Emergency-Off Switches OFF position padlockable 09h	6 ... 8	B200-D	50	18,5	15	B250 - 41 ... - 977M4
			63	22	18,5	B263 - 41 ... - 977M4
SMD modules for basic switch A02						
Mounting form module (switch module ED)			B200-D			BFE2 - ED
Enclosure module, mounting form 977M1						PAB2 - 977M1
Enclosure module, mounting form 977M4						PAB2 - 977M4
Dimensions (mm)						
Product lines	H1	B1	T1	T2	H2	B2
B200-D	320	220	180	50	293	193

Enclosed Switches



Product line
B200-D

Enclosed switch

Insulated enclosure
320 x 220 x 180 mm

With cover interlock
in ON position

Cable entries
Gland plates

977N1 (IP66)

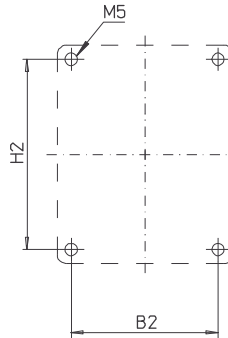
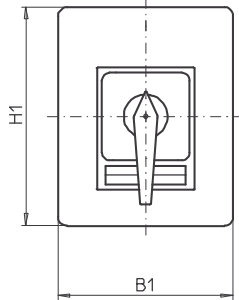
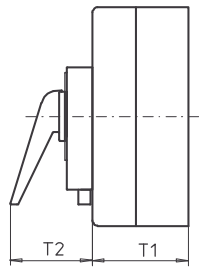
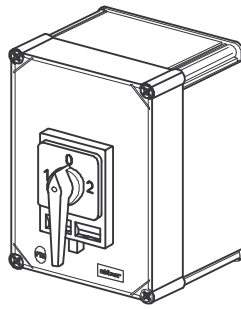
977N4 (IP66)

Complete switch	Poles	Product lines	Rated data (IEC 60947)			Order code number
			Operational current I_e		Operational power at 380–440 V	
			AC-21A A	AC-23A kW	AC-3 kW	
Main Switches OFF position padlockable 09h	6 ... 8	B200-D	50 63	18,5 22	15 18,5	B250 - 41 ... - 977N1 B263 - 41 ... - 977N1
Main/Emergency-Off Switches OFF position padlockable 09h	6 ... 8	B200-D	50 63	18,5 22	15 18,5	B250 - 41 ... - 977N4 B263 - 41 ... - 977N4

SMD modules for basic switch A02						
Mounting form module (switch module ED)				B200-D		BFE2 - ED
Enclosure module, mounting form 977N1						PAB2 - 977N1
Enclosure module, mounting form 977N4						PAB2 - 977N4

Dimensions (mm)						
Product lines	H1	B1	T1	T2	H2	B2
B200-D	320	220	180	45	293	193

Enclosed Switches



**Product line
B200-E**

Enclosed switch

Insulated enclosure
320 x 220 x 180 mm

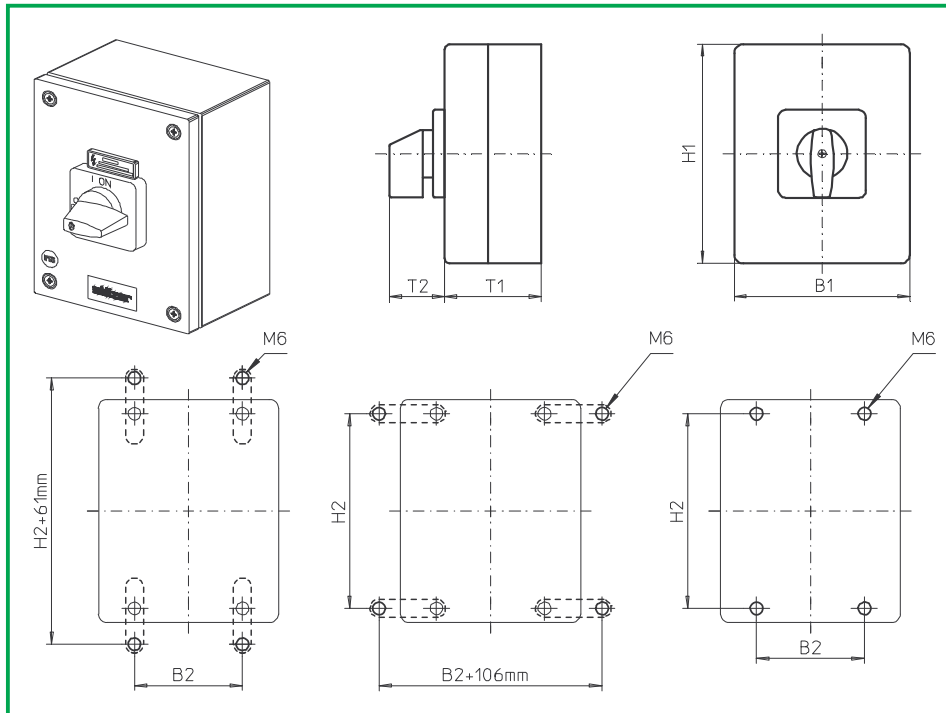
With cover interlock
in ON position

Cable entries
Gland plates

976H1 (IP66)
979H1 (IP66)

Complete switch	Poles	Product lines	Rated data (IEC 60947)			Order code number
			Operational current I _e	Operational power at 380–440 V		
			AC-21A A	AC-23A kW	AC-3 kW	
Changeover with OFF Switching angle 90° OFF position padlockable 12h	3 ... 4	B200-E	50 63	18,5 22	15 18,5	B250 - 71 ... - 976H1 B263 - 71 ... - 976H1
Changeover with OFF Switching angle 90° 3 positions padlockable (09h/12h/03h)	3 ... 4	B200-E	50 63	18,5 22	15 18,5	B250 - 71 ... - 979H1 B263 - 71 ... - 979H1
SMD modules for basic switch A02						
Mounting form module for 976H1/979H1				B200-E		BFF2 - ED
Enclosure module, mounting form 976H1 Enclosure module, mounting form 979H1						PAB2 - 976H1 PAB2 - 979H1
Legend plate silver, enclosure module 976H1/979H1						FAS6 - 9 ... (FA number)
Dimensions (mm)						
Product lines	H1	B1	T1	T2	H2	B2
B200-E	320	220	180	83	293	193

Enclosed Switches



**Product line
B200-A**

Enclosed switch

**Mild steel enclosure
powder coated**

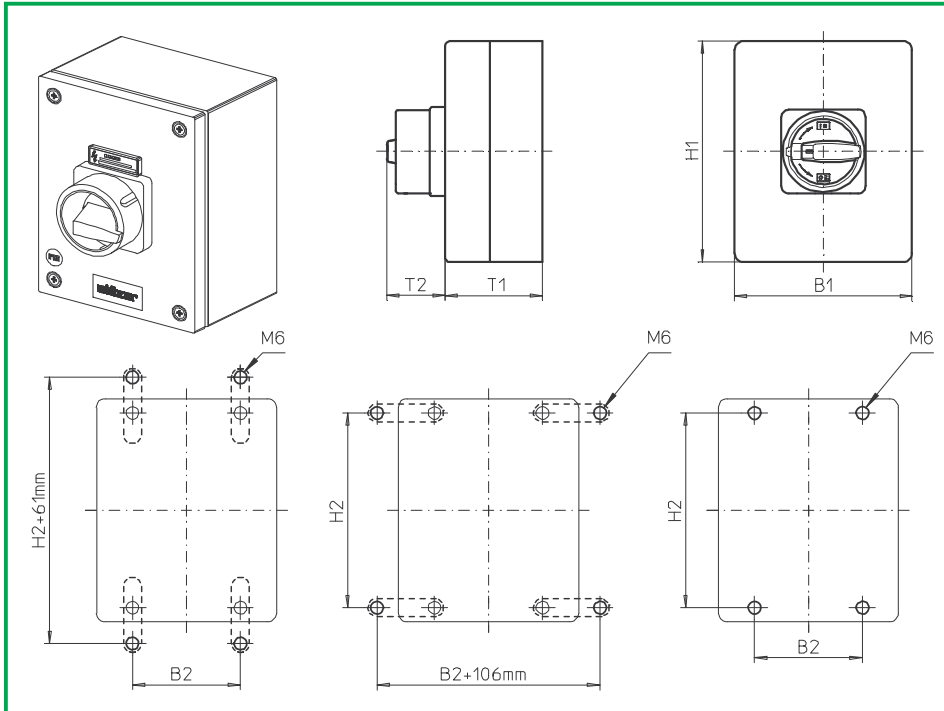
200 x 150 x 120 mm

with cover interlock
in ON position

086M1 (IP66)

Complete switch	Poles	Product lines	Rated data (IEC 60947)			Order code number
			Operational current I _e	Operational power at 380–440 V		
			AC-21A A	AC-23A kW	AC-3 kW	
ON-OFF Switches Switching angle 90°	3 ... 4	B200-A	50 63	18,5 22	15 18,5	B250 - 41 ... - 086M1 B263 - 41 ... - 086M1
SMD modules for basic switch A02						
Mounting form module (switch module ED)			B200-A			BFD2 - ED
Enclosure module, mounting form 086M1						SAB2 - 086M1
Legend plate silver, enclosure module 086M1						FAS4 - 9... (FA number)
Mounting brackets for enclosure modules SA (1 set) (Please order separately – accessories see page D5-1)						SAX1
Dimensions (mm)						
Product lines	H1	B1	T1	T2	H2	B2
B200-A	200	150	120	39	182	85

Enclosed Switches



**Product line
B200-A**

Enclosed switch

**Mild steel enclosure
powder coated**

200 x 150 x 120 mm

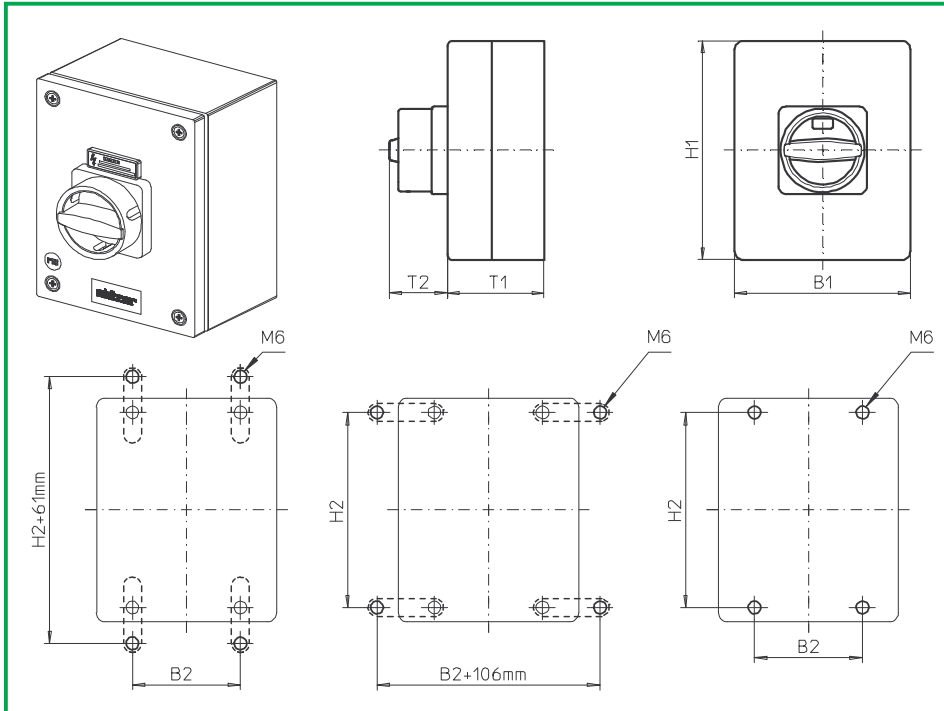
with cover interlock
in ON position

087M1 (IP66)

087M4 (IP66)

Complete switch	Poles	Product lines	Rated data (IEC 60947)			Order code number
			Operational current I _e	Operational power at 380–440 V		
			AC-21A A	AC-23A kW	AC-3 kW	
Main Switches OFF position padlockable 09h	3 ... 4	B200-A	50	18,5	15	B250 - 41 ... - 087M1
			63	22	18,5	B263 - 41 ... - 087M1
Main/Emergency-Off Switches OFF position padlockable 09h	3 ... 4	B200-A	50	18,5	15	B250 - 41 ... - 087M4
			63	22	18,5	B263 - 41 ... - 087M4
Realisable switching programmes: 3-pole 41300 , 41311, 41320 4-pole 41400 , 41411 and 41420						
SMD modules for basic switch A02						
Mounting form module (switch module ED)			B200-A		BFD2 - ED	
Enclosure module, mounting forms 087M1					SAB2 - 087M1	
Enclosure module, mounting forms 087M4					SAB2 - 087M4	
Mounting brackets for enclosure modules SA (1 set) (Please order separately – accessories see page D5-1)					SAX1	
Dimensions (mm)						
Product lines	H1	B1	T1	T2	H2	B2
B200-A	200	150	120	38	182	85

Enclosed Switches



**Product line
B200-A**

Enclosed switch

**Mild steel enclosure
powder coated**

200 x 150 x 120 mm

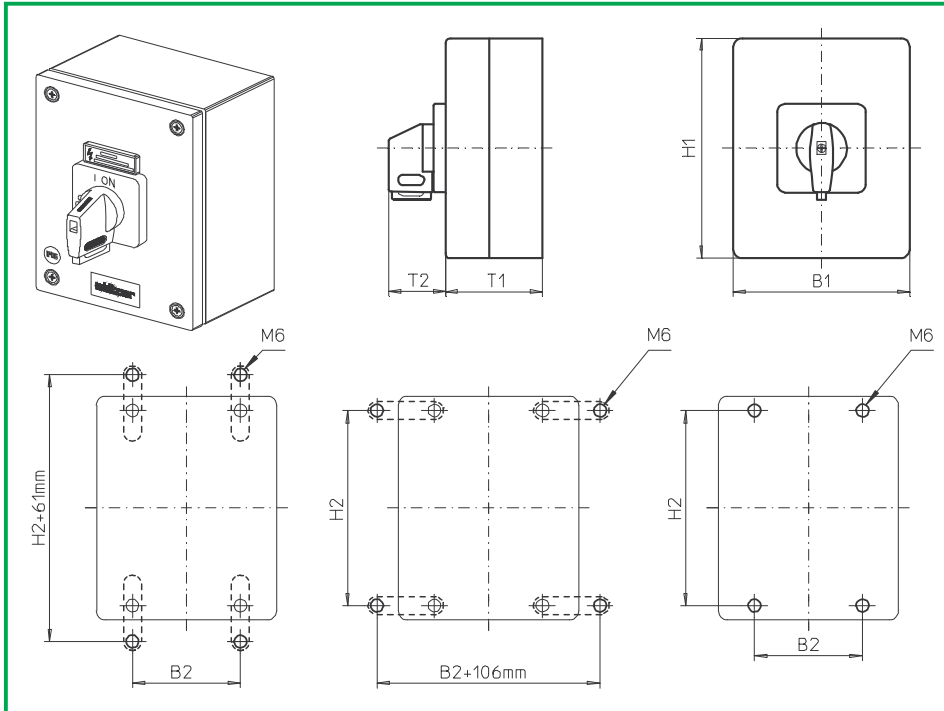
with cover interlock
in ON position

087N1 (IP66)

087N4 (IP66)

Complete switch	Poles	Product lines	Rated data (IEC 60947)			Order code number
			Operational current I _e AC-21A A	Operational power at 380–440 V AC-23A kW	AC-3 kW	
Main Switches OFF position padlockable 09h	3 ... 4	B200-A	50 63	18,5 22	15 18,5	B250 - 41 ... - 087N1 B263 - 41 ... - 087N1
Main/Emergency-Off Switches OFF position padlockable 09h	3 ... 4	B200-A	50 63	18,5 22	15 18,5	B250 - 41 ... - 087N4 B263 - 41 ... - 087N4
Realisable switching programmes: 3-pole 41300 , 41311, 41320 4-pole 41400 , 41411 and 41420						
SMD modules for basic switch A02						
Mounting form module (switch module ED)			B200-A			BFD2 - ED
Enclosure module, mounting forms 087N1						SAB2 - 087N1
Enclosure module, mounting forms 087N4						SAB2 - 087N4
Mounting brackets for enclosure modules SA (1 set) (Please order separately – accessories see page D5-1)						SAX1
Dimensions (mm)						
Product lines	H1	B1	T1	T2	H2	B2
B200-A	200	150	120	33	182	85

Enclosed Switches



**Product line
B200-A**

Enclosed switch

**Mild steel enclosure
powder coated**

200 x 150 x 120 mm

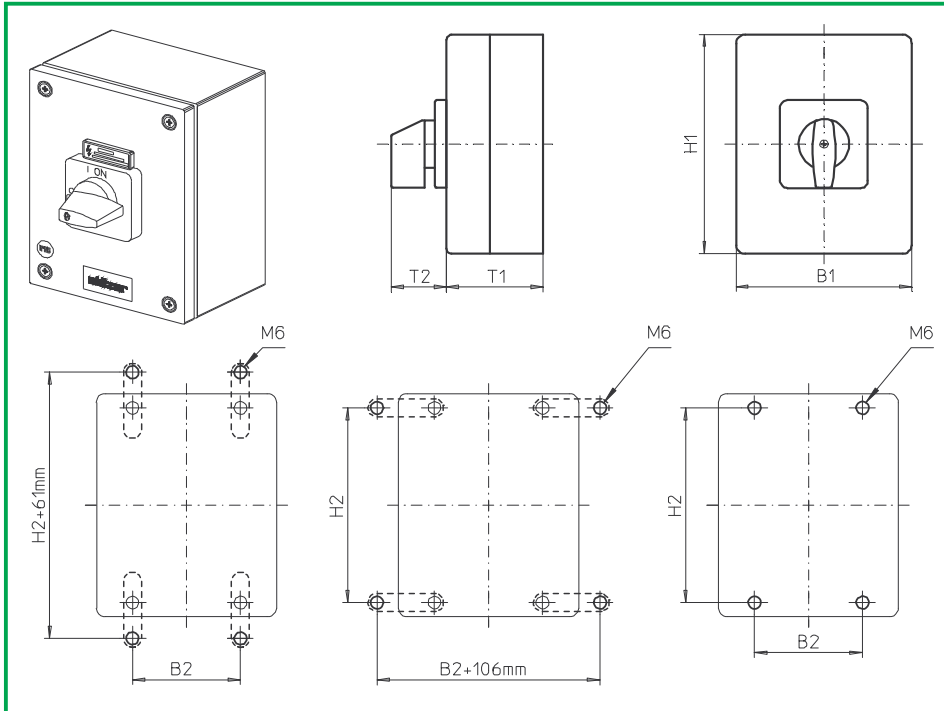
with cover interlock
in ON position

087V1 (IP66)

087V4 (IP66)

Complete switch	Poles	Product lines	Rated data (IEC 60947)			Order code number
			Operational current I _e AC-21A A	Operational power at 380–440 V AC-23A kW	AC-3 kW	
Main Switches OFF position padlockable 09h	3 ... 4	B200-A	50 63	18,5 22	15 18,5	B250 - 41 ... - 087V1 B263 - 41 ... - 087V1
Main/Emergency-Off Switches OFF position padlockable 09h	3 ... 4	B200-A	50 63	18,5 22	15 18,5	B250 - 41 ... - 087V4 B263 - 41 ... - 087V4
Realisable switching programmes: 3-pole 41300 , 41311, 41320 4-pole 41400 , 41411 and 41420						
SMD modules for basic switch A02						
Mounting form module (switch module ED)			B200-A			BFD2 - ED
Enclosure module, mounting forms 087V1						SAB2 - 087V1
Enclosure module, mounting forms 087V4						SAB2 - 087V4
Legend plate silver, enclosure module 087V1						FAS4 - 9... (FA number)
Legend plate yellow, enclosure module 087V4						FBS4 - 9... (FA number)
Mounting brackets for enclosure modules SA (1 set) (Please order separately – accessories see page D5-1)						SAX1
Dimensions (mm)						
Product lines	H1	B1	T1	T2	H2	B2
B200-A	200	150	120	39	182	85

Enclosed Switches



**Product lines
B200-D/ -E**

Enclosed switch

**Mild steel enclosure
powder coated**

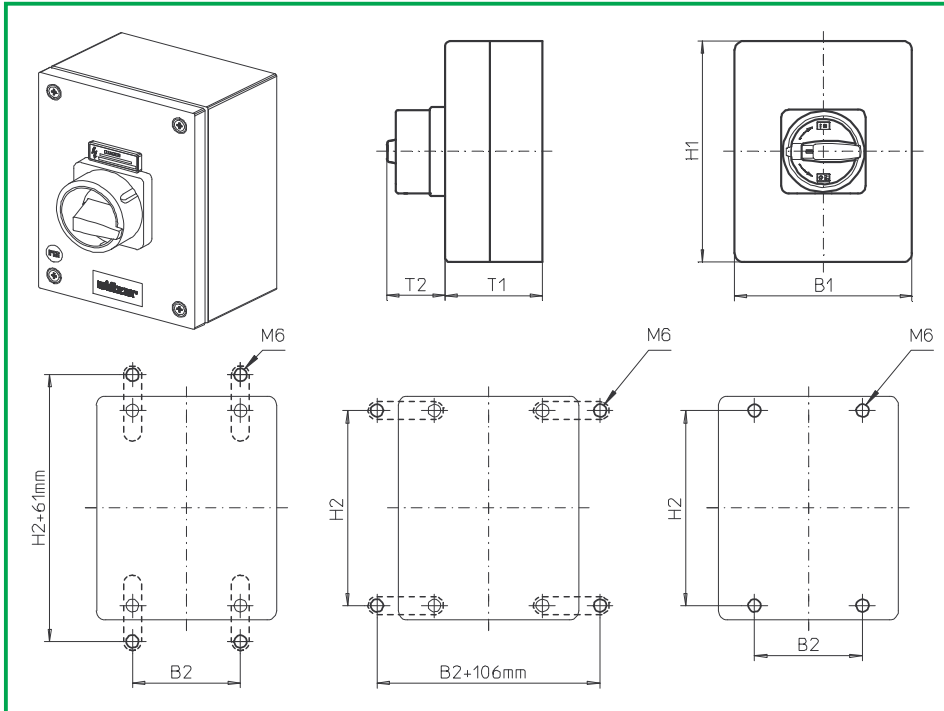
300 x 250 x 150 mm

with cover interlock
in ON position

186M1 (IP66)

Complete switch	Poles	Product lines	Rated data (IEC 60947)			Order code number
			Operational current I _e	Operational power at 380–440 V		
			AC-21A A	AC-23A kW	AC-3 kW	
ON-OFF Switches Switching angle 90°	6 ... 8	B200-D	50 63	18,5 22	15 18,5	B250 - 41 ... -186M1 B263 - 41 ... -186M1
Changeover with OFF Switching angle 90°	3 ... 4	B200-E	50 63	18,5 22	15 18,5	B250 - 71 ... -186M1 B263 - 71 ... -186M1
SMD modules for basic switch A02						
Mounting form module (switch module ED)			B200-D			BFE2 - ED
Mounting form module (switch module ED)			B200-E			BFF2 - ED
Enclosure module, mounting form 186M1			B200-D/ -E			SAB2 - 186M1
Legend plate silver, enclosure module 186M1			B200-D/ -E			FAS6 - 9... (FA number)
Mounting brackets for enclosure modules SA (1 set) (Please order separately – accessories see page D5-1)						SAX1
Dimensions (mm)						
Product lines	H1	B1	T1	T2	H2	B2
B200-D/ -E	300	250	150	52	282	185

Enclosed Switches



**Product line
B200-D**

Enclosed switch

**Mild steel enclosure
powder coated**

300 x 250 x 150 mm

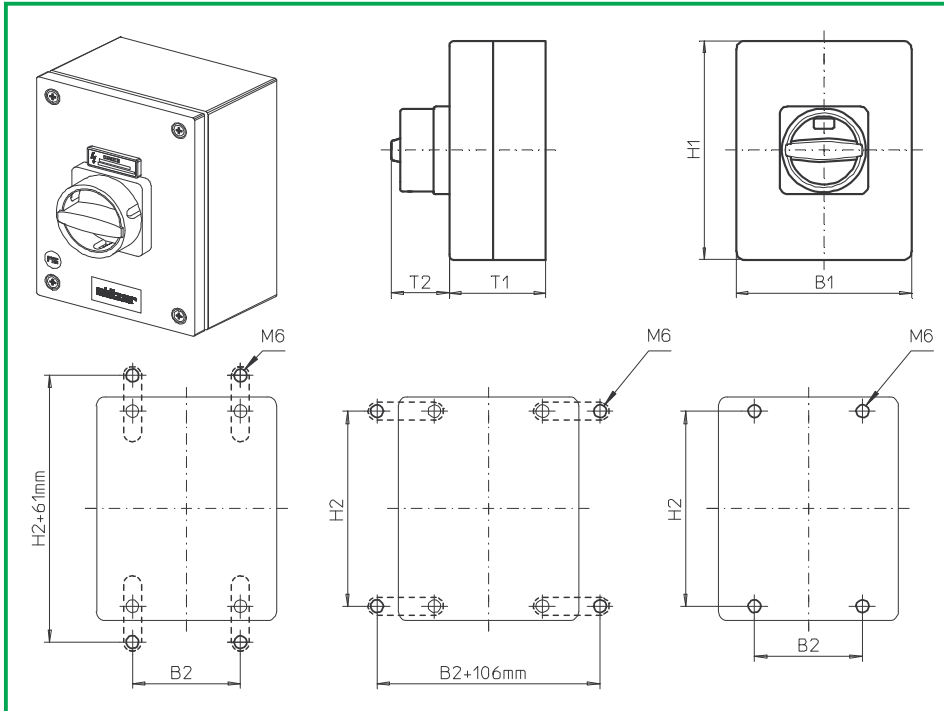
with cover interlock
in ON position

187M1 (IP66)

187M4 (IP66)

Complete switch	Poles	Product lines	Rated data (IEC 60947)			Order code number
			Operational current I _e	Operational power at 380–440 V		
			AC-21A A	AC-23A kW	AC-3 kW	
Main Switches OFF position padlockable 09h	6 ... 8	B200-D	50 63	18,5 22	15 18,5	B250 - 41 ... - 187M1 B263 - 41 ... - 187M1
Main/Emergency-Off Switches OFF position padlockable 09h	6 ... 8	B200-D	50 63	18,5 22	15 18,5	B250 - 41 ... - 187M4 B263 - 41 ... - 187M4
SMD modules for basic switch A02						
Mounting form module (switch module ED)			B200-D			BFE2 - ED
Enclosure module, mounting forms 187M1						SAB2 - 187M1
Enclosure module, mounting forms 187M4						SAB2 - 187M4
Mounting brackets for enclosure modules SA (1 set) (Please order separately – accessories see page D5-1)						SAX1
Dimensions (mm)						
Product lines	H1	B1	T1	T2	H2	B2
B200-D	300	250	150	50	282	185

Enclosed Switches



**Product line
B200-D**

Enclosed switch

**Mild steel enclosure
powder coated**

300 x 250 x 150 mm

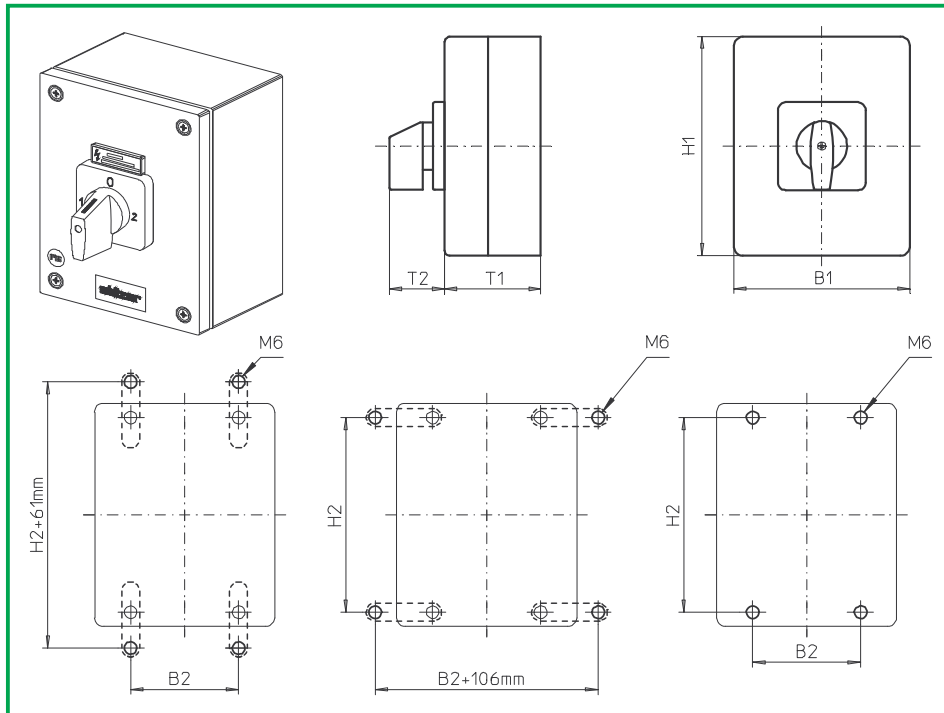
with cover interlock
in ON position

187N1 (IP66)

187N4 (IP66)

Complete switch	Poles	Product lines	Rated data (IEC 60947)			Order code number
			Operational current I _e AC-21A A	Operational power at 380–440 V AC-23A kW	AC-3 kW	
Main Switches OFF position padlockable 09h	6 ... 8	B200-D	50	18,5	15	B250 - 41 ... - 187N1 B263 - 41 ... - 187N1
			63	22	18,5	
Main/Emergency-Off Switches OFF position padlockable 09h	6 ... 8	B200-D	50	18,5	15	B250 - 41 ... - 187N4 B263 - 41 ... - 187N4
			63	22	18,5	
SMD modules for basic switch A02						
Mounting form module (switch module ED)			B200-D			BFE2 - ED
Enclosure module, mounting forms 187N1						SAB2 - 187N1
Enclosure module, mounting forms 187N4						SAB2 - 187N4
Mounting brackets for enclosure modules SA (1 set) (Please order separately – accessories see page D5-1)						SAX1
Dimensions (mm)						
Product lines	H1	B1	T1	T2	H2	B2
B200-D	300	250	150	45	282	185

Enclosed Switches



**Product line
B200-E**

Enclosed switch

**Mild steel enclosure
powder coated**

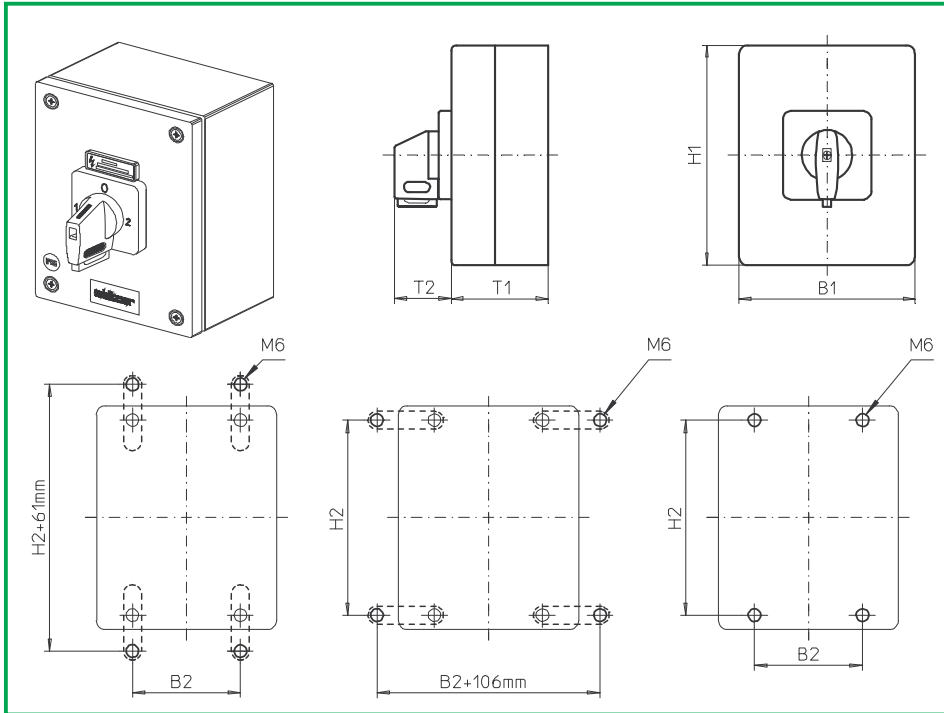
300 x 250 x 150 mm

with cover interlock
in ON position

188M1 (IP66)

Complete switch	Poles	Product lines	Rated data (IEC 60947)			Order code number
			Operational current I _e	Operational power at 380–440 V		
			AC-21A A	AC-23A kW	AC-3 kW	
Changeover with OFF Switching angle 90°	3 ... 4	B200-E	50 63	18,5 22	15 18,5	B250 - 71 ... -188M1 B263 - 71 ... -188M1
SMD modules for basic switch A02						
Mounting form module (switch module ED)			B200-E			BFF2 - ED
Enclosure module, mounting form 188M1						SAB2 - 188M1
Legend plate silver, enclosure module 188M1						FAS6 - 9... (FA number)
Mounting brackets for enclosure modules SA (1 set) (Please order separately – accessories see page D5-1)						SAX1
Dimensions (mm)						
Product line	H1	B1	T1	T2	H2	B2
B200-E	300	250	150	52	282	185

Enclosed Switches



**Product line
B200-E**

Enclosed switch

**Mild steel enclosure
powder coated**

300 x 250 x 150 mm

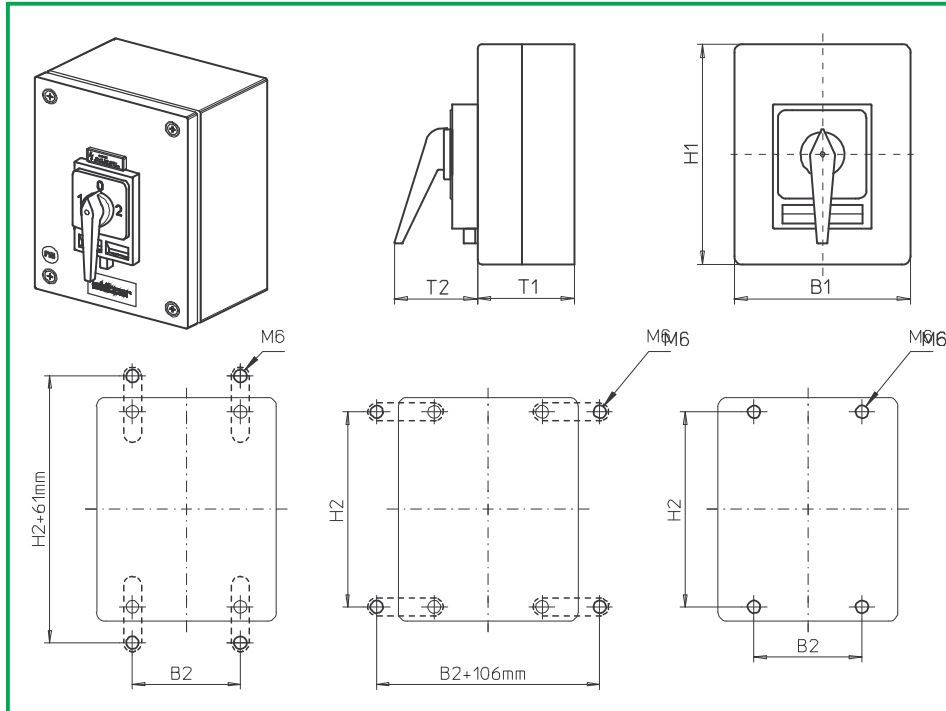
with cover interlock
in ON position

186V1 (IP66)

188V1 (IP66)

Complete switch	Poles	Product lines	Rated data (IEC 60947)			Order code number
			Operational current I _e	Operational power at 380–440 V		
			AC-21A A	AC-23A kW	AC-3 kW	
Changeover with OFF Switching angle 90° OFF position padlockable 12h	3 ... 4	B200-E	50	18,5	15	B250 - 71 ... - 186V1
			63	22	18,5	B263 - 71 ... - 186V1
Changeover with OFF Switching angle 90° 3 positions padlockable (09h/12h/03h)	3 ... 4	B200-E	50	18,5	15	B250 - 71 ... - 188V1
			63	22	18,5	B263 - 71 ... - 188V1
SMD modules for basic switch A02						
Mounting form module (switch module ED)			B200-E			BFF2 - ED
Enclosure module, mounting form 186V1						SAB2 - 186V1
Enclosure module, mounting form 188V1						SAB2 - 188V1
Legend plate silver, enclosure modules 186V1/ 188V1						FAS4 - 9... (FA number)
Mounting brackets for enclosure modules SA (1 set) (Please order separately – accessories see page D5-1)						SAX1
Dimensions (mm)						
Product line	H1	B1	T1	T2	H2	B2
B200-E	300	250	150	39	282	185

Enclosed Switches



**Product line
B200-E**

Enclosed switch

**Mild steel enclosure
powder coated**

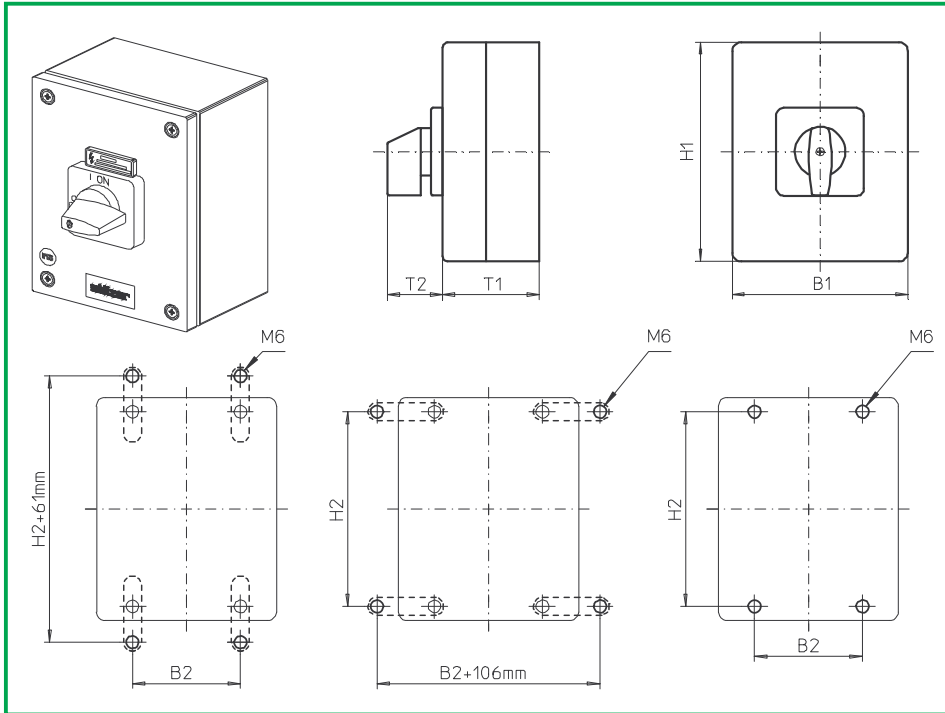
300 x 250 x 150 mm

with cover interlock
in ON position

**186H1 (IP66)
188H1 (IP66)**

Complete switch	Poles	Product lines	Rated data (IEC 60947)			Order code number
			Operational current I _e	Operational power at 380–440 V		
			AC-21A A	AC-23A kW	AC-3 kW	
Changeover with OFF Switching angle 90° OFF position padlockable 12h	3 ... 4	B200-E	50 63	18,5 22	15 18,5	B250 - 71 ... - 186H1 B263 - 71 ... - 186H1
Changeover with OFF Switching angle 90° 3 positions padlockable (09h/12h/03h)	3 ... 4	B200-E	50 63	18,5 22	15 18,5	B250 - 71 ... - 188H1 B263 - 71 ... - 188H1
SMD modules for basic switch A02						
Mounting form module for 186H1/188H1				B200-E		BFF2 - ED
Enclosure module, mounting forms 186H1 Enclosure module, mounting forms 188H1						SAB2 - 186H1 SAB2 - 188H1
Legend plate silver, enclosure module 186H1/188H1						FAS6 - 9006
Mounting brackets for enclosure modules SA (1 set) (Please order separately – accessories see page D5-1)						SAX1
Dimensions (mm)						
Product line	H1	B1	T1	T2	H2	B2
B200-E	300	250	150	83	282	185

Enclosed Switches



**Product line
B200-A**

Enclosed switch

**Mild steel enclosure
powder coated**

200 x 150 x 120 mm

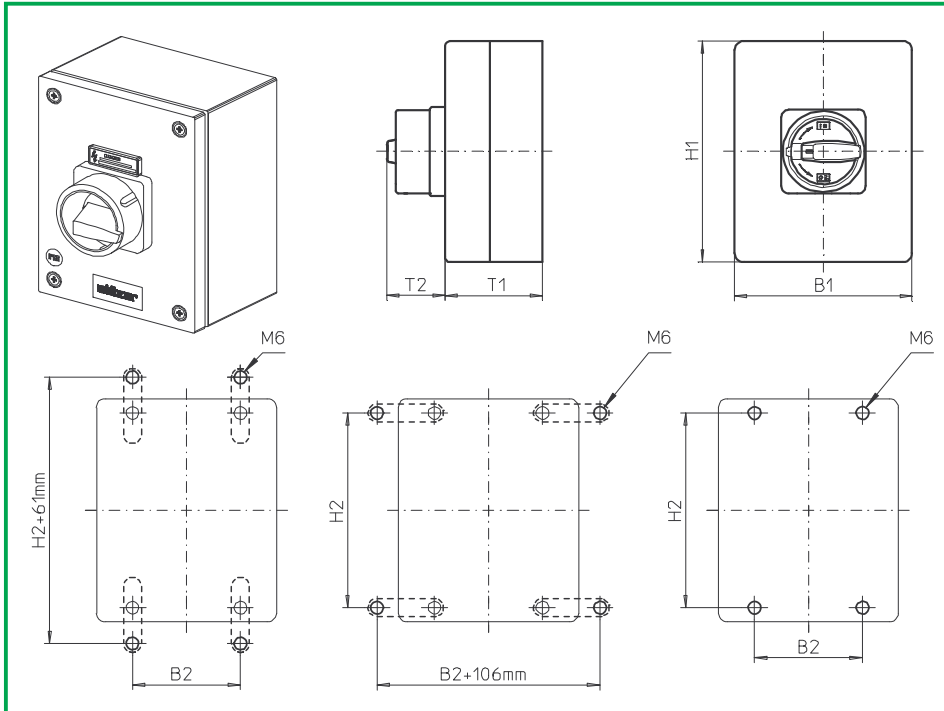
with cover interlock
in ON position

without N module(s)
in the enclosure

586M1 (IP66)

Complete switch	Poles	Product lines	Rated data (IEC 60947)			Order code number
			Operational current I _e	Operational power at 380–440 V		
			AC-21A A	AC-23A kW	AC-3 kW	
ON-OFF Switches Switching angle 90°	2 or 4	B200-A	50 63	18,5 22	15 18,5	B250 - 41 ... - 586M1 B263 - 41 ... - 586M1
SMD modules for basic switch A02						
Mounting form module (switch module ED)			B200-A			BFD2 - ED
Enclosure module, mounting form 586M1						SAH2 - 686M1
Legend plate silver, enclosure module 586M1						FAS4 - 9... (FA number)
Mounting brackets for enclosure modules SA (1 set) (Please order separately – accessories see page D5-1)						SAX1
Dimensions (mm)						
Product lines	H1	B1	T1	T2	H2	B2
B200-A	200	150	120	39	182	85

Enclosed Switches



**Product line
B200-A**

Enclosed switch

**Mild steel enclosure
powder coated**

200 x 150 x 120 mm

with cover interlock
in ON position

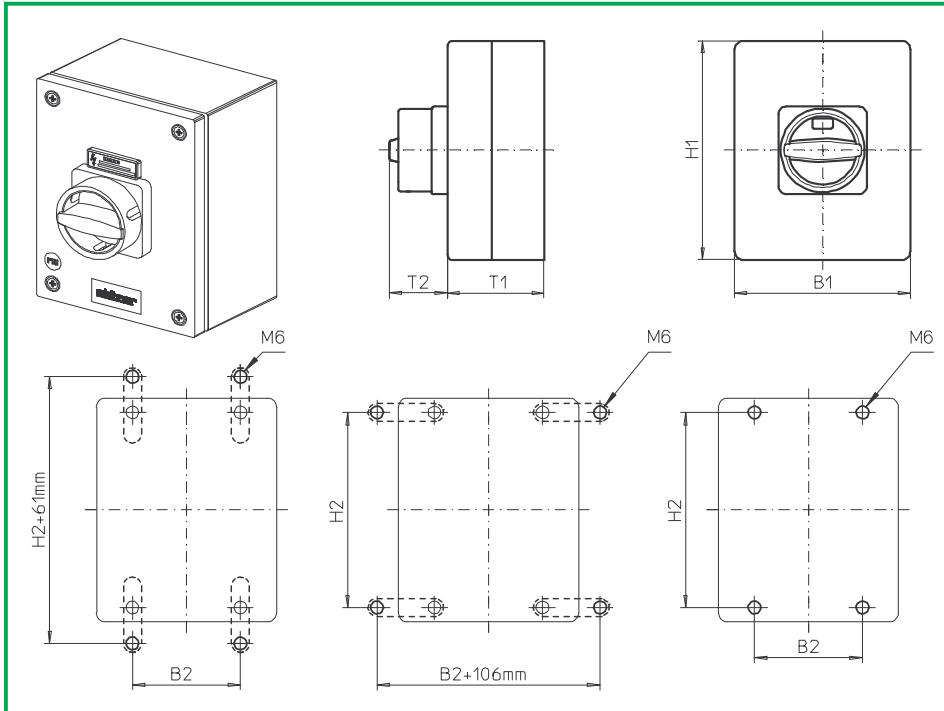
without N module(s)
in the enclosure

587M1 (IP66)

587M4 (IP66)

Complete switch	Poles	Product lines	Rated data (IEC 60947)			Order code number
			Operational current I _e AC-21A A	Operational power at 380–440 V AC-23A kW	AC-3 kW	
Main Switches OFF position padlockable 09h	2 or	B200-A	50	18,5	15	B250 - 41 ... - 587M1 B263 - 41 ... - 587M1
	4		63	22	18,5	
Main/Emergency-Off Switches OFF position padlockable 09h	2 or	B200-A	50	18,5	15	B250 - 41 ... - 587M4 B263 - 41 ... - 587M4
	4		63	22	18,5	
Realisable switching programmes: 2-pole 41200 , 41211, 41220 4-pole 41400 , 41411 and 41420						
SMD modules for basic switch A02						
Mounting form module (switch module ED)			B200-A		BFD2 - ED	
Enclosure module, mounting forms 587M1					SAH2 - 687M1	
Enclosure module, mounting forms 587M4					SAH2 - 687M4	
Mounting brackets for enclosure modules SA (1 set) (Please order separately – accessories see page D5-1)					SAX1	
Dimensions (mm)						
Product lines	H1	B1	T1	T2	H2	B2
B200-A	200	150	120	38	182	85

Enclosed Switches



**Product line
B200-A**

Enclosed switch

**Mild steel enclosure
powder coated**

200 x 150 x 120 mm

with cover interlock
in ON position

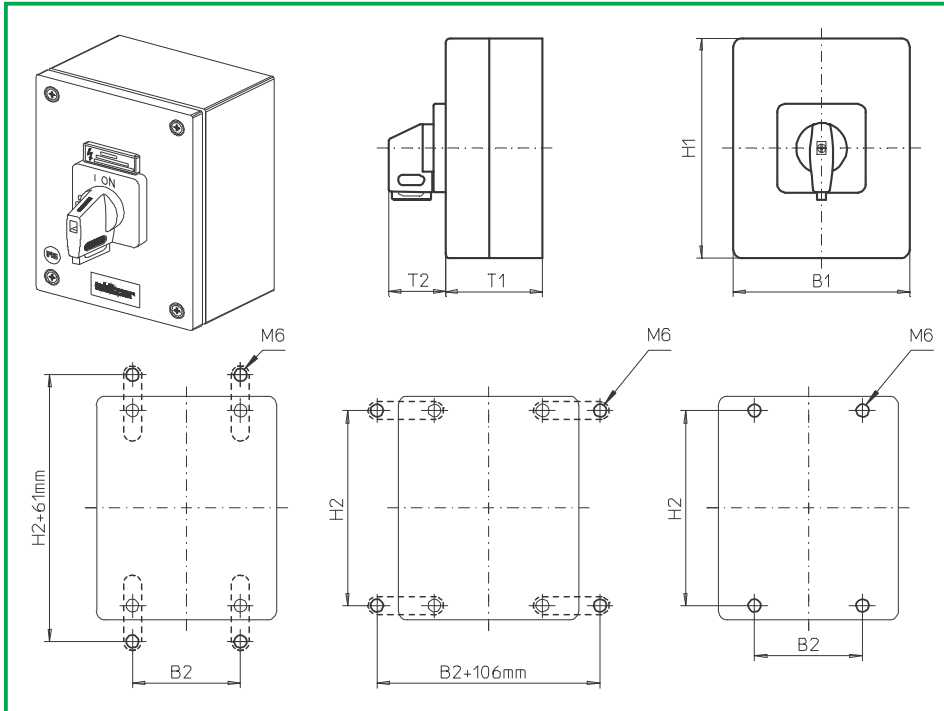
without N module(s)
in the enclosure

587N1 (IP66)

587N4 (IP66)

Complete switch	Poles	Product lines	Rated data (IEC 60947)			Order code number
			Operational current I _e AC-21A A	Operational power at 380–440 V AC-23A kW	AC-3 kW	
Main Switches OFF position padlockable 09h	2 or 4	B200-A	50 63	18,5 22	15 18,5	B250 - 41 ... - 587N1 B263 - 41 ... - 587N1
Main/Emergency-Off Switches OFF position padlockable 09h	2 or 4	B200-A	50 63	18,5 22	15 18,5	B250 - 41 ... - 587N4 B263 - 41 ... - 587N4
Realisable switching programmes: 2-pole 41200 , 41211, 41220 4-pole 41400 , 41411 and 41420						
SMD modules for basic switch A02						
Mounting form module (switch module ED)			B200-A			BFD2 - ED
Enclosure module, mounting forms 587N1						SAH2 - 687N1
Enclosure module, mounting forms 587N4						SAH2 - 687N4
Mounting brackets for enclosure modules SA (1 set) (Please order separately – accessories see page D5-1)						SAX1
Dimensions (mm)						
Product lines	H1	B1	T1	T2	H2	B2
B200-A	200	150	120	33	182	85

Enclosed Switches



**Product line
B200-A**

Enclosed switch

**Mild steel enclosure
powder coated**

200 x 150 x 120 mm

with cover interlock
in ON position

without N module(s)
in the enclosure

587V1 (IP66)

587V4 (IP66)

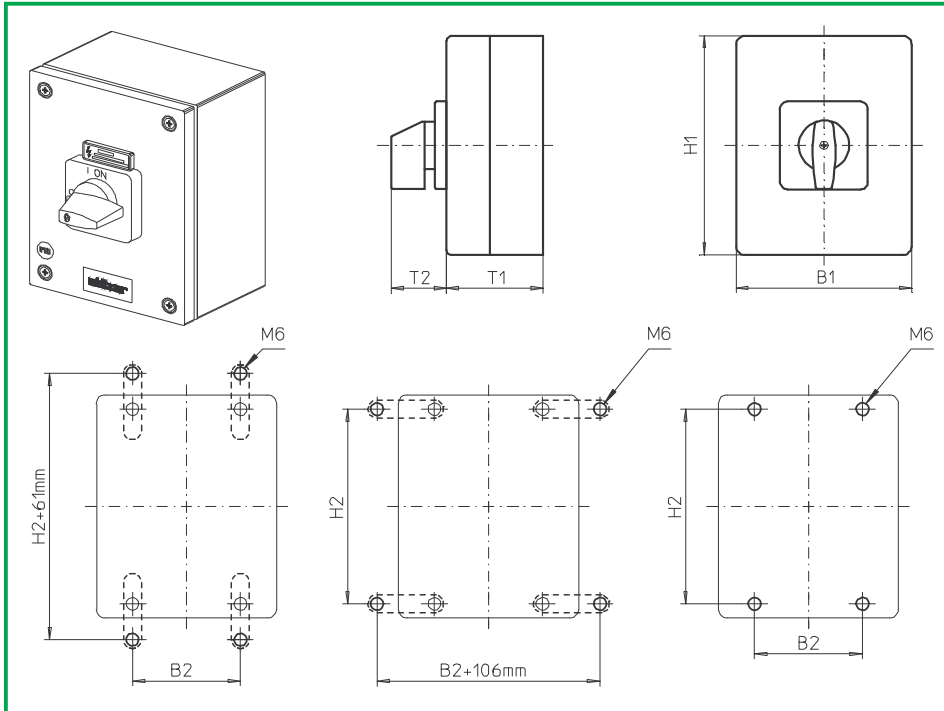
Complete switch	Poles	Product lines	Rated data (IEC 60947)			Order code number
			Operational current I _e	Operational power at 380–440 V		
			AC-21A A	AC-23A kW	AC-3 kW	
Main Switches OFF position padlockable 09h	2 or	B200-A	50	18,5	15	B250 - 41 ... - 587V1 B263 - 41 ... - 587V1
	4		63	22	18,5	
Main/Emergency-Off Switches OFF position padlockable 09h	2 or	B200-A	50	18,5	15	B250 - 41 ... - 587V4 B263 - 41 ... - 587V4
	4		63	22	18,5	

Realisable switching programmes:
 2-pole **41200**, 41211, 41220
 4-pole **41400**, 41411 and 41420

SMD modules for basic switch A02			
Mounting form module (switch module ED)		B200-A	BFD2 - ED
Enclosure module, mounting forms 587V1			SAH2 - 687V1
Enclosure module, mounting forms 587V4			SAH2 - 687V4
Legend plate silver, enclosure module 587V1			FAS4 - 9... (FA number)
Legend plate yellow, enclosure module 587V4			FBS4 - 9... (FA number)
Mounting brackets for enclosure modules SA (1 set) (Please order separately – accessories see page D5-1)			SAX1

Dimensions (mm)							
Product lines	H1	B1	T1	T2	H2	B2	
B200-A	200	150	120	39	182	85	

Enclosed Switches



**Product lines
B200-D/ -E**

Enclosed switch

**Mild steel enclosure
powder coated**

300 x 250 x 150 mm

with cover interlock
in ON position

without N module(s)
in the enclosure

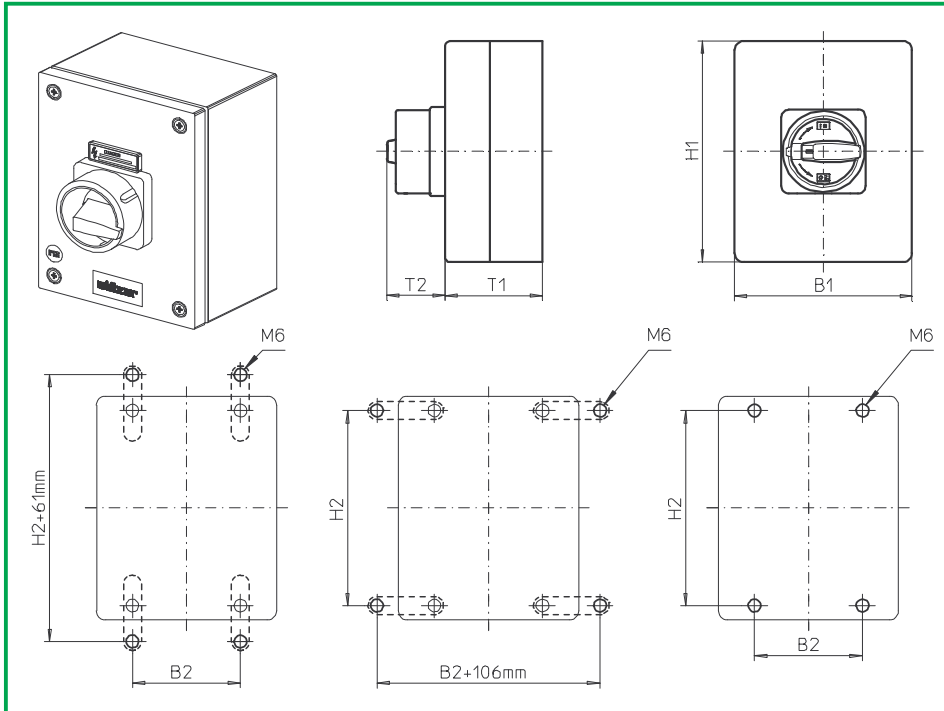
686M1 (IP66)

Complete switch	Poles	Product lines	Rated data (IEC 60947)			Order code number
			Operational current I _e	Operational power at 380–440 V		
			AC-21A A	AC-23A kW	AC-3 kW	
ON-OFF Switches Switching angle 90°	4 or	B200-D	50	18,5	15	B250 - 41 ... -686M1 B263 - 41 ... -686M1
	8		63	22	18,5	
Changeover with OFF Switching angle 90°	4	B200-E	50	18,5	15	B250 - 71 ... -686M1 B263 - 71 ... -686M1
			63	22	18,5	

SMD modules for basic switch A02		
Mounting form module (switch module ED)	B200-D	BFE2 - ED
Mounting form module (switch module ED)	B200-E	BFF2 - ED
Enclosure module, mounting form 686M1	B200-D/ -E	SAH4 - 686M1
Legend plate silver, enclosure module 686M1	B200-D/ -E	FAS6 - 9... (FA number)
Mounting brackets for enclosure modules SA (1 set) (Please order separately – accessories see page D5-1)		SAX1

Dimensions (mm)							
Product lines	H1	B1	T1	T2	H2	B2	
B200-D/ -E	300	250	150	52	282	185	

Enclosed Switches



**Product line
B200-D**

Enclosed switch

**Mild steel enclosure
powder coated**

300 x 250 x 150 mm

with cover interlock
in ON position

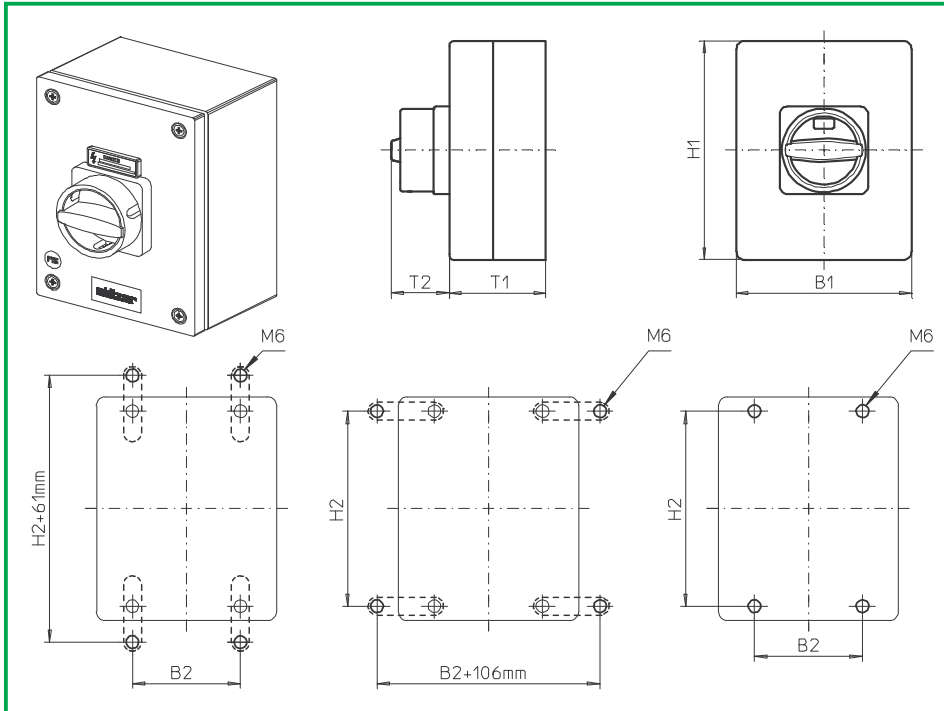
without N module(s)
in the enclosure

687M1 (IP66)

687M4 (IP66)

Complete switch	Poles	Product lines	Rated data (IEC 60947)			Order code number
			Operational current I _e AC-21A A	Operational power at 380–440 V AC-23A kW	AC-3 kW	
Main Switches OFF position padlockable 09h	4 or 8	B200-D	50 63	18,5 22	15 18,5	B250 - 41 ... - 687M1 B263 - 41 ... - 687M1
Main/Emergency-Off Switches OFF position padlockable 09h	4 or 8	B200-D	50 63	18,5 22	15 18,5	B250 - 41 ... - 687M4 B263 - 41 ... - 687M4
SMD modules for basic switch A02						
Mounting form module (switch module ED)			B200-D			BFE2 - ED
Enclosure module, mounting forms 687M1						SAH4 - 687M1
Enclosure module, mounting forms 687M4						SAH4 - 687M4
Mounting brackets for enclosure modules SA (1 set) (Please order separately – accessories see page D5-1)						SAX1
Dimensions (mm)						
Product lines	H1	B1	T1	T2	H2	B2
B200-D	300	250	150	50	282	185

Enclosed Switches



**Product line
B200-D**

Enclosed switch

**Mild steel enclosure
powder coated**

300 x 250 x 150 mm

with cover interlock
in ON position

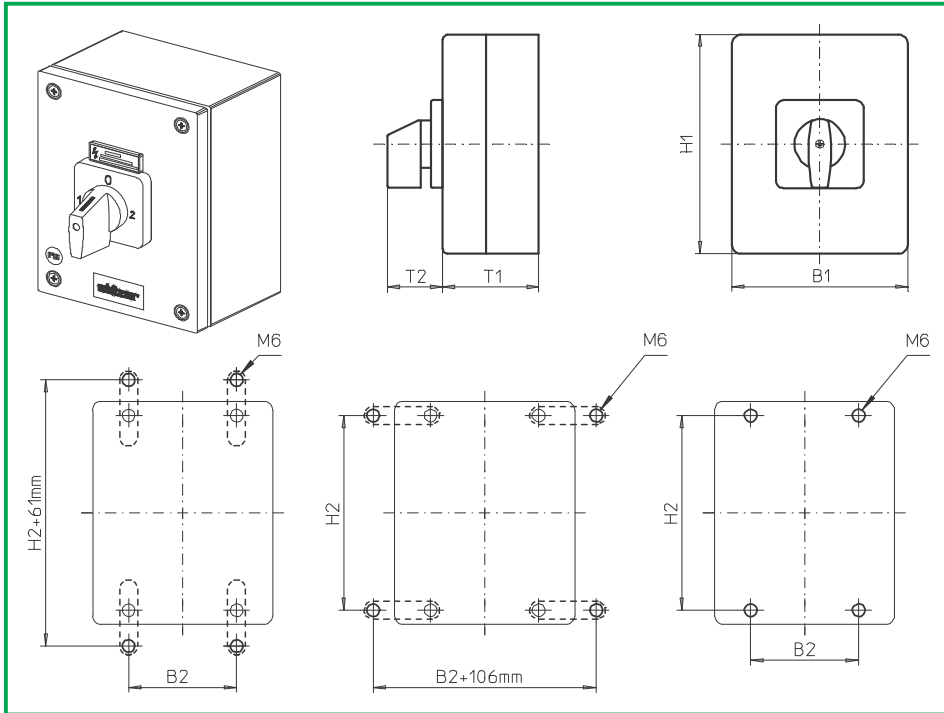
without N module(s)
in the enclosure

687N1 (IP66)

687N4 (IP66)

Complete switch	Poles	Product lines	Rated data (IEC 60947)			Order code number
			Operational current I _e AC-21A A	Operational power at 380–440 V AC-23A kW	AC-3 kW	
Main Switches OFF position padlockable 09h	4 or	B200-D	50	18,5	15	B250 - 41 ... - 687N1 B263 - 41 ... - 687N1
	8		63	22	18,5	
Main/Emergency-Off Switches OFF position padlockable 09h	4 or	B200-D	50	18,5	15	B250 - 41 ... - 687N4 B263 - 41 ... - 687N4
	8		63	22	18,5	
SMD modules for basic switch A02						
Mounting form module (switch module ED)			B200-D			BFE2 - ED
Enclosure module, mounting forms 687N1						SAH4 - 687N1
Enclosure module, mounting forms 687N4						SAH4 - 687N4
Mounting brackets for enclosure modules SA (1 set) (Please order separately – accessories see page D5-1)						SAX1
Dimensions (mm)						
Product lines	H1	B1	T1	T2	H2	B2
B200-D	300	250	150	45	282	185

Enclosed Switches



**Product line
B200-E**

Enclosed switch

**Mild steel enclosure
powder coated**

300 x 250 x 150 mm

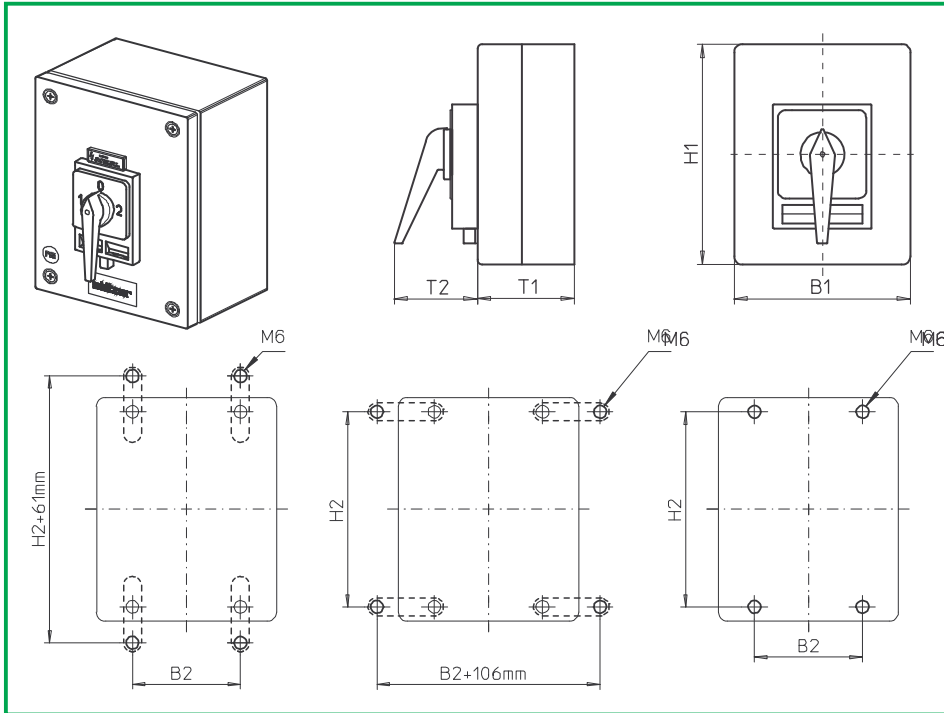
with cover interlock
in ON position

without N module(s)
in the enclosure

688M1 (IP66)

Complete switch	Poles	Product lines	Rated data (IEC 60947)			Order code number
			Operational current I _e	Operational power at 380–440 V		
			AC-21A A	AC-23A kW	AC-3 kW	
Changeover with OFF Switching angle 90°	4	B200-E	50 63	18,5 22	15 18,5	B250 - 71 ... -688M1 B263 - 71 ... -688M1
SMD modules for basic switch A02						
Mounting form module (switch module ED)			B200-E			BFF2 - ED
Enclosure module, mounting form 688M1						SAH4 - 688M1
Legend plate silver, enclosure module 688M1						FAS6 - 9... (FA number)
Mounting brackets for enclosure modules SA (1 set) (Please order separately – accessories see page D5-1)						SAX1
Dimensions (mm)						
Product line	H1	B1	T1	T2	H2	B2
B200-E	300	250	150	52	282	185

Enclosed Switches



**Product line
B200-E**

Enclosed switch

**Mild steel enclosure
powder coated**

300 x 250 x 150 mm

with cover interlock
in ON position

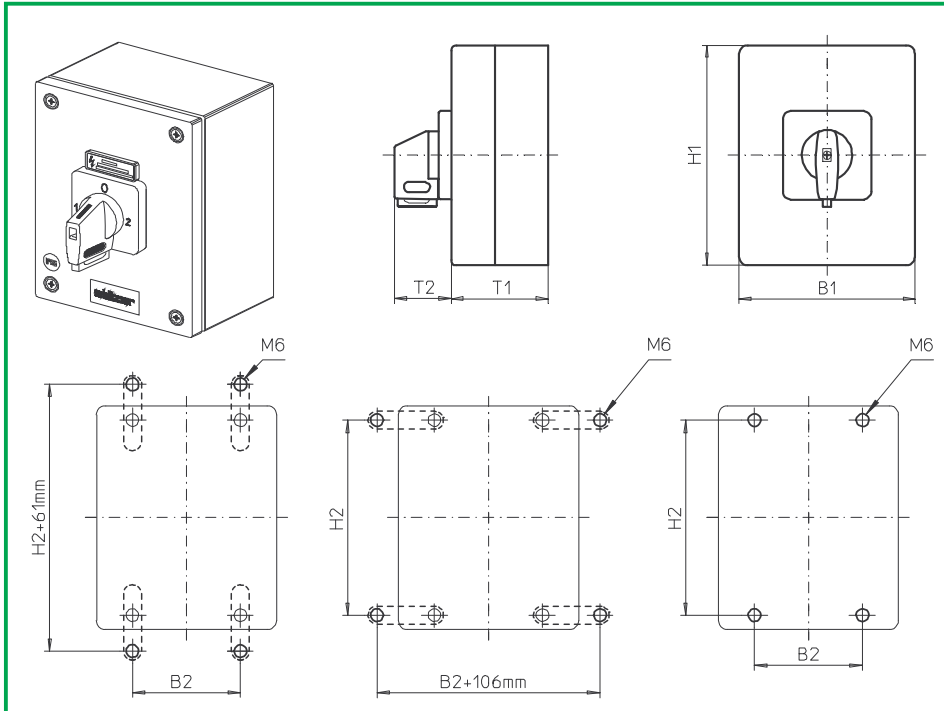
without N module(s)
in the enclosure

686H1 (IP66)

688H1 (IP66)

Complete switch	Poles	Product lines	Rated data (IEC 60947)			Order code number
			Operational current I _e	Operational power at 380–440 V		
			AC-21A A	AC-23A kW	AC-3 kW	
Changeover with OFF Switching angle 90° OFF position padlockable 12h	4	B200-E	50 63	18,5 22	15 18,5	B250 - 71 ... - 686H1 B263 - 71 ... - 686H1
Changeover with OFF Switching angle 90° 3 positions padlockable (09h/12h/03h)	4	B200-E	50 63	18,5 22	15 18,5	B250 - 71 ... - 688H1 B263 - 71 ... - 688H1
SMD modules for basic switch A02						
Mounting form module (switch module ED)			B200-E			BFF2 - ED
Enclosure module, mounting form 686H1						SAH4 - 686H1
Enclosure module, mounting form 688H1						SAH4 - 688H1
Legend plate silver, enclosure modules 686H1/ 688H1						FAS4 - 9... (FA number)
Mounting brackets for enclosure modules SA (1 set) (Please order separately – accessories see page D5-1)						SAX1
Dimensions (mm)						
Product line	H1	B1	T1	T2	H2	B2
B200-E	300	250	150	83	282	185

Enclosed Switches



**Product line
B200-E**

Enclosed switch

**Mild steel enclosure
powder coated**

300 x 250 x 150 mm

with cover interlock
in ON position

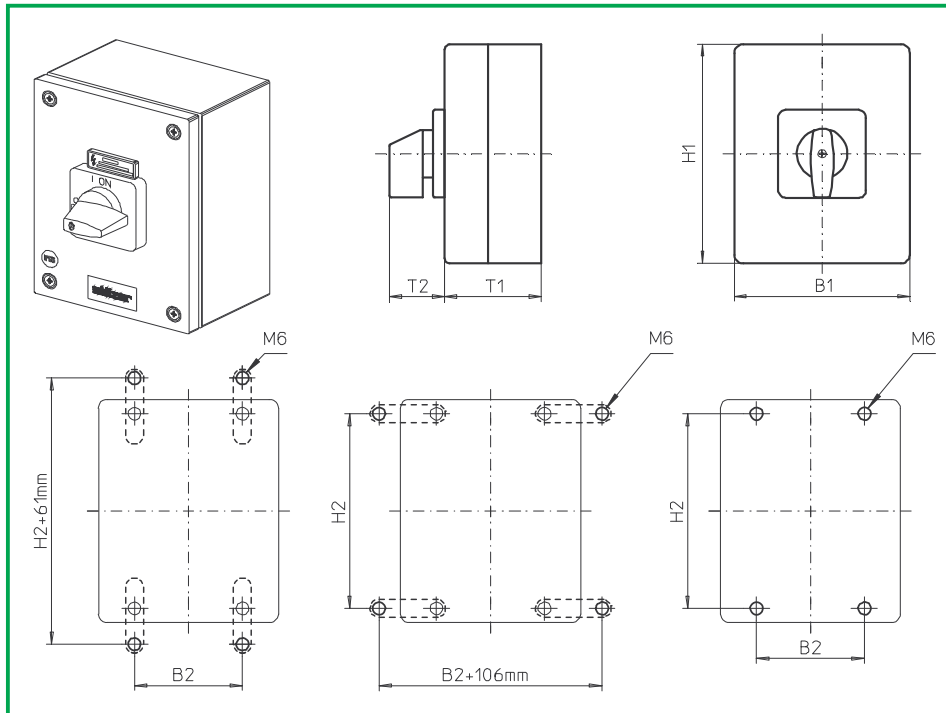
without N module(s)
in the enclosure

686V1 (IP66)

688V1 (IP66)

Complete switch	Poles	Product lines	Rated data (IEC 60947)			Order code number
			Operational current I _e	Operational power at 380–440 V		
			AC-21A A	AC-23A kW	AC-3 kW	
Changeover with OFF Switching angle 90° OFF position padlockable 12h	4	B200-E	50	18,5	15	B250 - 71 ... - 686V1
			63	22	18,5	B263 - 71 ... - 686V1
Changeover with OFF Switching angle 90° 3 positions padlockable (09h/12h/03h)	4	B200-E	50	18,5	15	B250 - 71 ... - 688V1
			63	22	18,5	B263 - 71 ... - 688V1
SMD modules for basic switch A02						
Mounting form module (switch module ED)			B200-E			BFF2 - ED
Enclosure module, mounting form 686V1						SAH4 - 686V1
Enclosure module, mounting form 688V1						SAH4 - 688V1
Legend plate silver, enclosure modules 186V1/ 188V1						FAS4 - 9... (FA number)
Mounting brackets for enclosure modules SA (1 set) (Please order separately – accessories see page D5-1)						SAX1
Dimensions (mm)						
Product line	H1	B1	T1	T2	H2	B2
B200-E	300	250	150	39	282	185

Enclosed Switches



**Product line
B200-A**

Enclosed switch

**Stainless steel
enclosure
brushed**

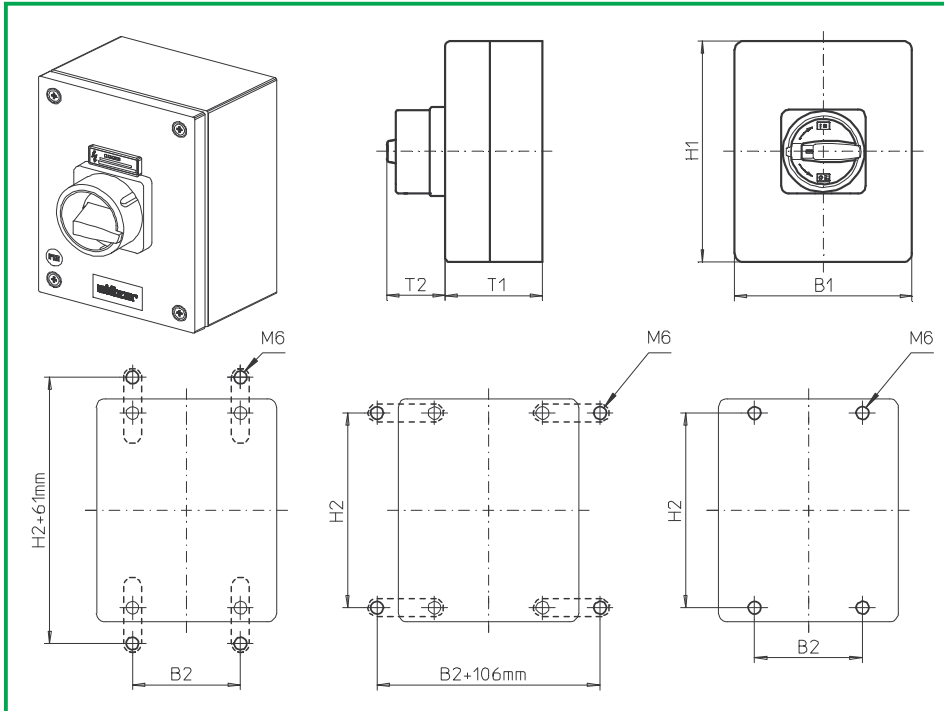
200 x 150 x 120 mm

With cover interlock
in ON position

096M1 (IP66)

Complete switch	Poles	Product lines	Rated data (IEC 60947)			Order code number
			Operational current I _e	Operational power at 380–440 V		
			AC-21A A	AC-23A kW	AC-3 kW	
ON-OFF Switches Switching angle 90°	3 ... 4	B200-A	50 63	18,5 22	15 18,5	B250 - 41 ... - 096M1 B263 - 41 ... - 096M1
SMD modules for basic switch A02						
Mounting form module (switch module ED)			B200-A			BFD2 - ED
Enclosure module, mounting form 096M1						SBB2 - 096M1
Legend plate silver, enclosure module 096M1						FAS4 - 9... (FA number)
Mounting brackets for enclosure modules SB (1 Set) (Please order separately – accessories see page D5-2)						SBX1
Dimensions (mm)						
Product lines	H1	B1	T1	T2	H2	B2
B200-A	200	150	120	39	182	85

Enclosed Switches



**Product line
B200-A**

Enclosed switch

**Stainless steel
enclosure
brushed**

200 x 150 x 120 mm

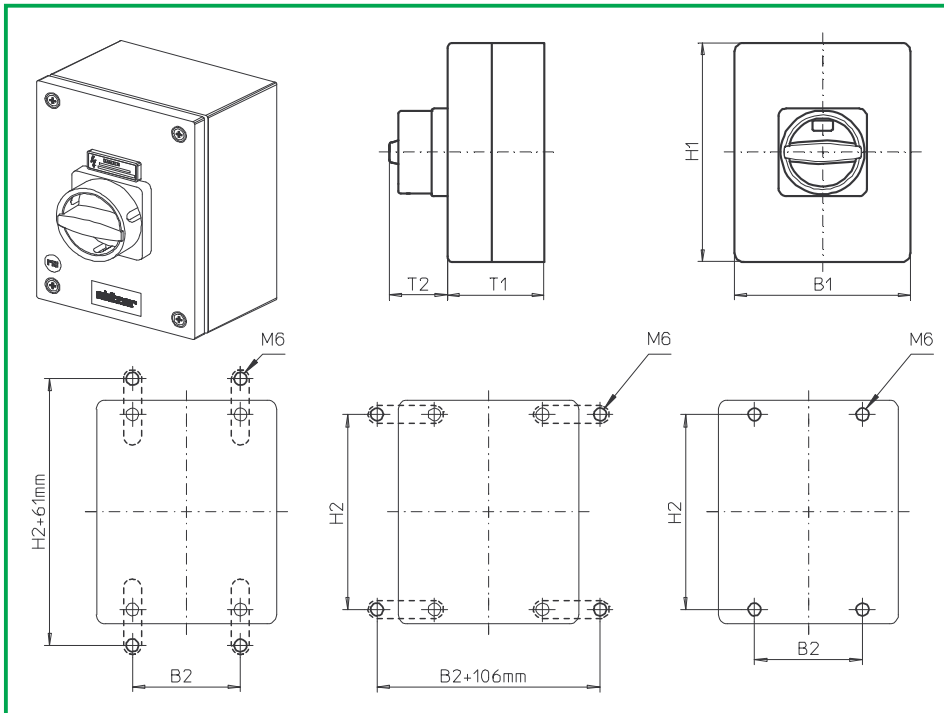
With cover interlock
in ON position

097M1 (IP66)

097M4 (IP66)

Complete switch	Poles	Product lines	Rated data (IEC 60947)			Order code number
			Operational current I _e	Operational power at 380–440 V		
			AC-21A A	AC-23A kW	AC-3 kW	
Main Switches OFF position padlockable 09h	3 ... 4	B200-A	50	18,5	15	B250 - 41 ... - 097M1
			63	22	18,5	B263 - 41 ... - 097M1
Main/Emergency-Off Switches OFF position padlockable 09h	3 ... 4	B200-A	50	18,5	15	B250 - 41 ... - 097M4
			63	22	18,5	B263 - 41 ... - 097M4
Realisable switching programmes: 3-pole 41300 , 41311, 41320 4-pole 41400 , 41411 and 41420						
SMD modules for basic switch A02						
Mounting form module (switch module ED)			B200-A		BFD2 - ED	
Enclosure module, mounting forms 097M1					SBB2 - 097M1	
Enclosure module, mounting forms 097M4					SBB2 - 097M4	
Mounting brackets for enclosure modules SB (1 Set) (Please order separately – accessories see page D5-2)					SBX1	
Dimensions (mm)						
Product lines	H1	B1	T1	T2	H2	B2
B200-A	200	150	120	38	182	85

Enclosed Switches



**Product line
B200-A**

Enclosed switch

**Stainless steel
enclosure
brushed**

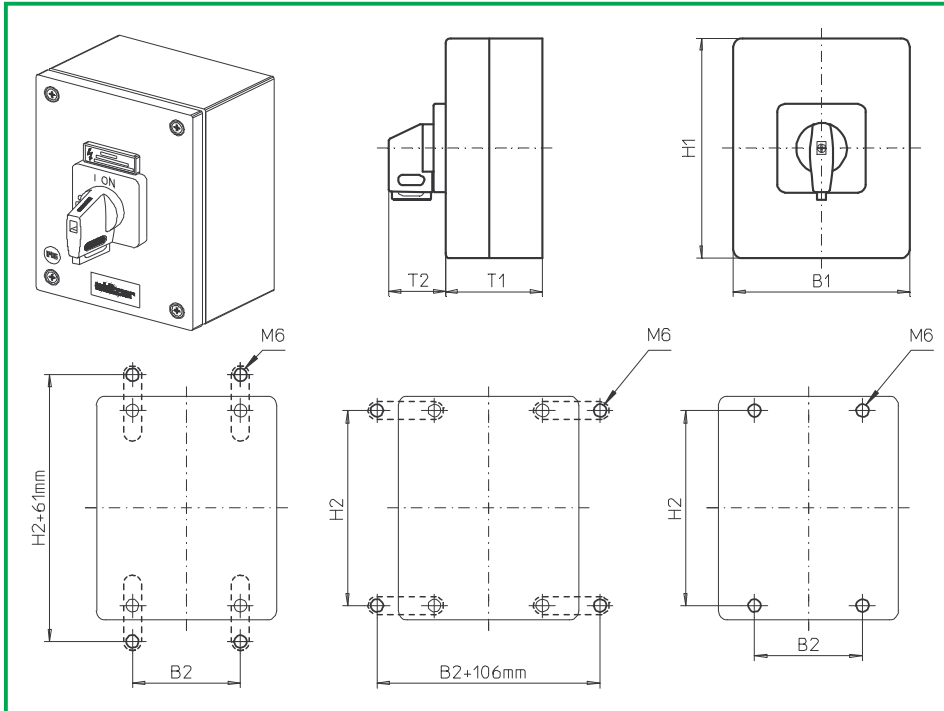
200 x 150 x 120 mm

With cover interlock
in ON position

**097N1 (IP66)
097N4 (IP66)**

Complete switch	Poles	Product lines	Rated data (IEC 60947)			Order code number
			Operational current I _e AC-21A A	Operational power at 380–440 V AC-23A kW	AC-3 kW	
Main Switches OFF position padlockable 09h	3 ... 4	B200-A	50 63	18,5 22	15 18,5	B250 - 41 ... - 097N1 B263 - 41 ... - 097N1
Main/Emergency-Off Switches OFF position padlockable 09h	3 ... 4	B200-A	50 63	18,5 22	15 18,5	B250 - 41 ... - 097N4 B263 - 41 ... - 097N4
Realisable switching programmes: 3-pole 41300 , 41311, 41320 4-pole 41400 , 41411 and 41420						
SMD modules for basic switch A02						
Mounting form module (switch module ED)			B200-A			BFD2 - ED
Enclosure module, mounting forms 097N1						SBB2 - 097N1
Enclosure module, mounting forms 097N4						SBB2 - 097N4
Mounting brackets for enclosure modules SB (1 Set) (Please order separately – accessories see page D5-2)						SBX1
Dimensions (mm)						
Product lines	H1	B1	T1	T2	H2	B2
B200-A	200	150	120	33	182	85

Enclosed Switches



**Product line
B200-A**

Enclosed switch

**Stainless steel enclosure
brushed**

200 x 150 x 120 mm

With cover interlock
in ON position

097V1 (IP66)
097V4 (IP66)

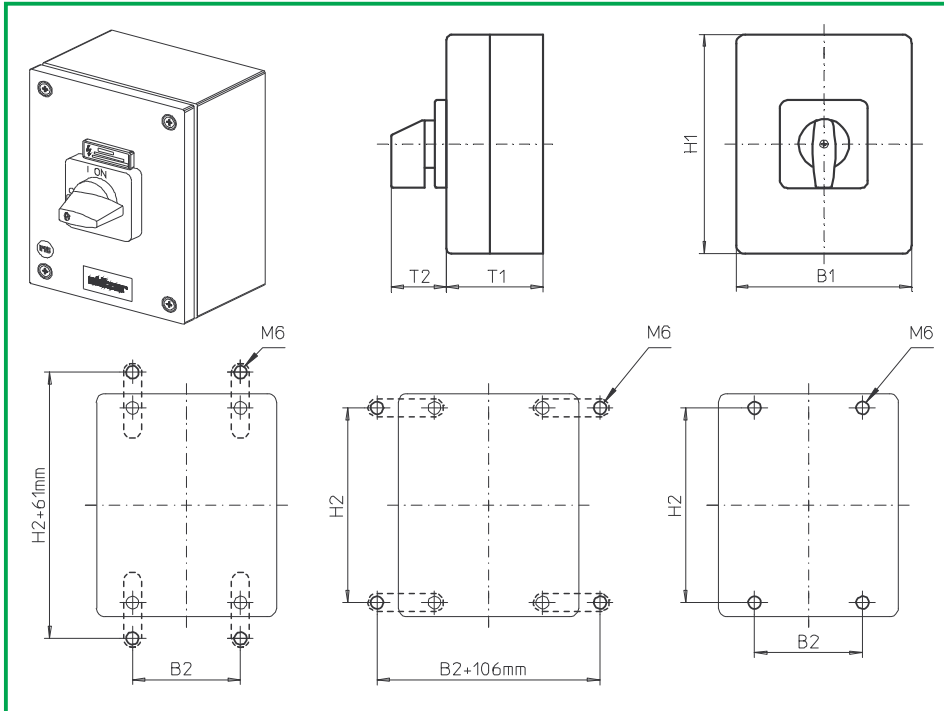
Complete switch	Poles	Product lines	Rated data (IEC 60947)			Order code number
			Operational current I _e	Operational power at 380–440 V		
			AC-21A A	AC-23A kW	AC-3 kW	
Main Switches OFF position padlockable 09h	3 ... 4	B200-A	50	18,5	15	B250 - 41 ... - 097V1
			63	22	18,5	B263 - 41 ... - 097V1
Main/Emergency-Off Switches OFF position padlockable 09h	3 ... 4	B200-A	50	18,5	15	B250 - 41 ... - 097V4
			63	22	18,5	B263 - 41 ... - 097V4

Realisable switching programmes:
 3-pole **41300**, 41311, 41320
 4-pole **41400**, 41411 and 41420

SMD modules for basic switch A02			
Mounting form module (switch module ED)		B200-A	BFD2 - ED
Enclosure module, mounting forms 097V1			SBB2 - 097V1
Enclosure module, mounting forms 097V4			SBB2 - 097V4
Legend plate silver, enclosure module 097V1			FAS4 - 9... (FA number)
Legend plate yellow, enclosure module 097V4			FBS4 - 9... (FA number)
Mounting brackets for enclosure modules SB (1 Set) (Please order separately – accessories see page D5-2)			SBX1

Dimensions (mm)							
Product lines	H1	B1	T1	T2	H2	B2	
B200-A	200	150	120	39	182	85	

Enclosed Switches



**Product lines
B200-D/ -E**

Enclosed switch

**Stainless steel
enclosure
brushed**

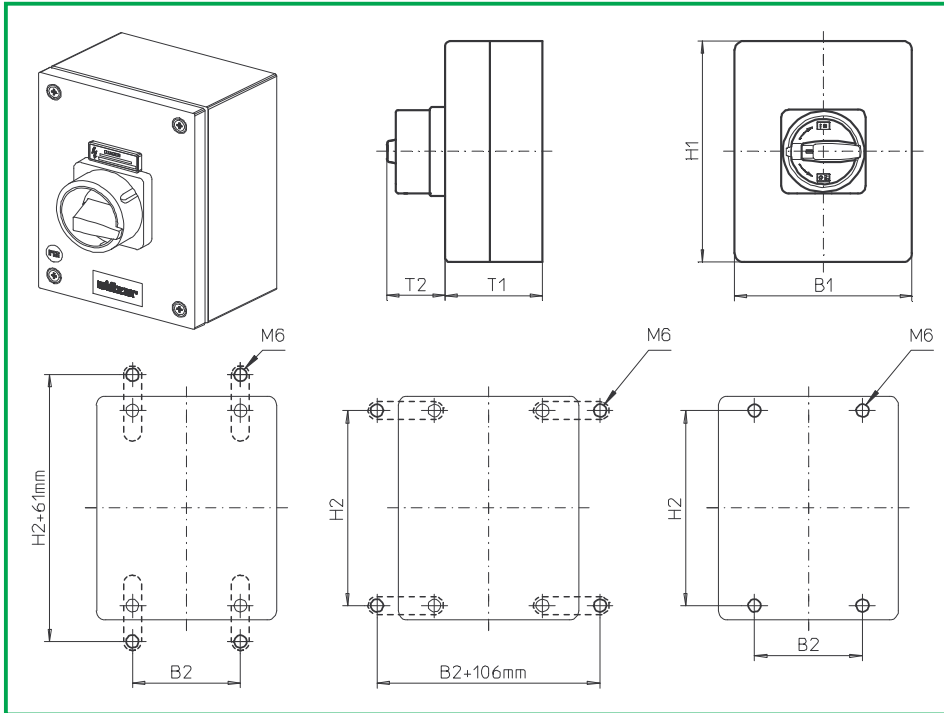
300 x 250 x 150 mm

With cover interlock
in ON position

196M1 (IP66)

Complete switch	Poles	Product lines	Rated data (IEC 60947)			Order code number
			Operational current I _e	Operational power at 380–440 V		
			AC-21A A	AC-23A kW	AC-3 kW	
ON-OFF Switches Switching angle 90°	6 ... 8	B200-D	50 63	18,5 22	15 18,5	B250 - 41 ... -196M1 B263 - 41 ... -196M1
Changeover with OFF Switching angle 90°	3 ... 4	B200-E	50 63	18,5 22	15 18,5	B250 - 71 ... -196M1 B263 - 71 ... -196M1
SMD modules for basic switch A02						
Mounting form module (switch module ED)			B200-D			BFE2 - ED
Mounting form module (switch module ED)			B200-E			BFF2 - ED
Enclosure module, mounting form 196M1			B200-D/ -E			SBB2 - 196M1
Legend plate silver, enclosure module 196M1			B200-D/ -E			FAS6 - 9... (FA number)
Mounting brackets for enclosure modules SB (1 Set) (Please order separately – accessories see page D5-2)						SBX1
Dimensions (mm)						
Product lines	H1	B1	T1	T2	H2	B2
B200-D/ -E	300	250	150	52	282	185

Enclosed Switches



**Product line
B200-D**

Enclosed switch

**Stainless steel
enclosure
brushed**

300 x 250 x 150 mm

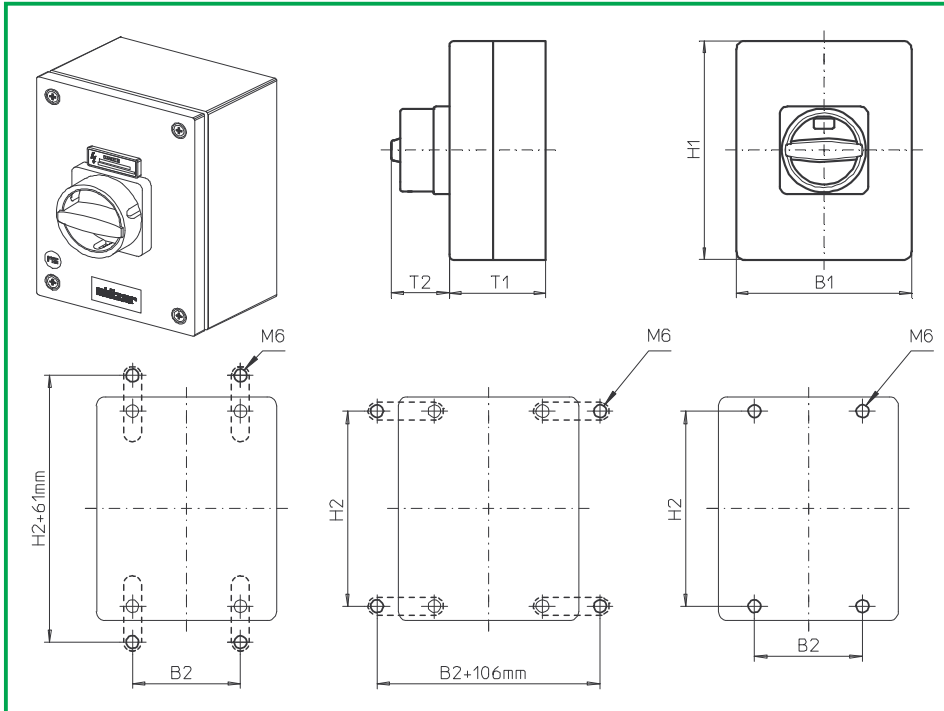
With cover interlock
in ON position

197M1 (IP66)

197M4 (IP66)

Complete switch	Poles	Product lines	Rated data (IEC 60947)			Order code number
			Operational current I _e AC-21A A	Operational power at 380–440 V AC-23A kW	AC-3 kW	
Main Switches OFF position padlockable 09h	6 ... 8	B200-D	50 63	18,5 22	15 18,5	B250 - 41 ... - 197M1 B263 - 41 ... - 197M1
Main/Emergency-Off Switches OFF position padlockable 09h	6 ... 8	B200-D	50 63	18,5 22	15 18,5	B250 - 41 ... - 197M4 B263 - 41 ... - 197M4
SMD modules for basic switch A02						
Mounting form module (switch module ED)				B200-D		BFE2 - ED
Enclosure module, mounting forms 197M1						SBB2- 197M1
Enclosure module, mounting forms 197M4						SBB2 -197M4
Mounting brackets for enclosure modules SB (1 Set) (Please order separately – accessories see page D5-2)						SBX1
Dimensions (mm)						
Product lines	H1	B1	T1	T2	H2	B2
B200-D	300	250	150	50	282	185

Enclosed Switches



**Product line
B200-D**

Enclosed switch

**Stainless steel
enclosure
brushed**

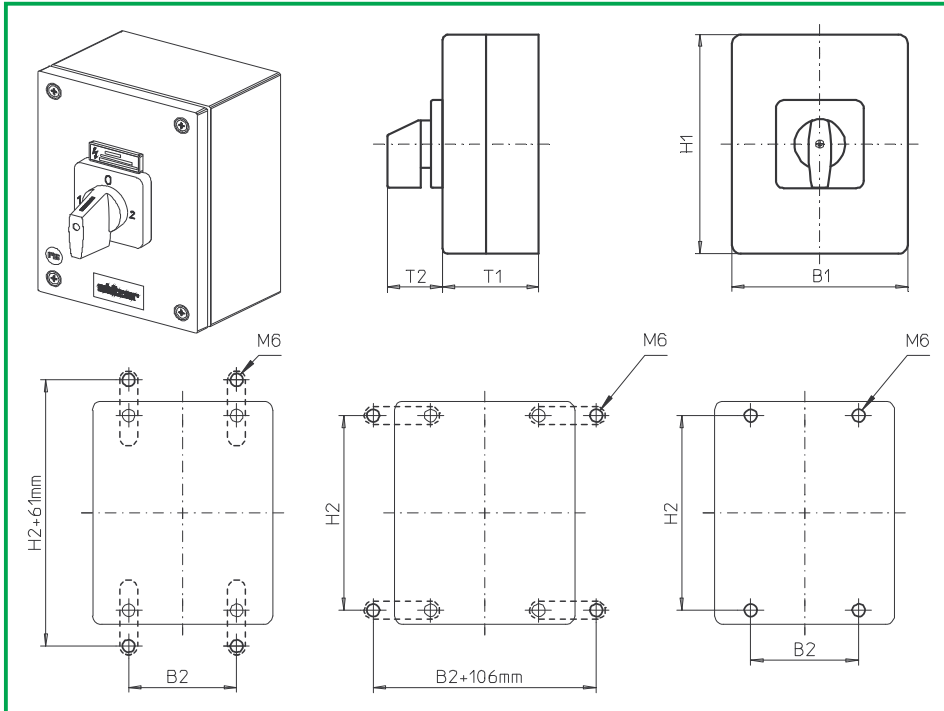
300 x 250 x 150 mm

With cover interlock
in ON position

**197N1 (IP66)
197N4 (IP66)**

Complete switch	Poles	Product lines	Rated data (IEC 60947)			Order code number
			Operational current I _e AC-21A A	Operational power at 380–440 V AC-23A kW	AC-3 kW	
Main Switches OFF position padlockable 09h	6 ... 8	B200-D	50	18,5	15	B250 - 41 ... - 197N1
			63	22	18,5	B263 - 41 ... - 197N1
Main/Emergency-Off Switches OFF position padlockable 09h	6 ... 8	B200-D	50	18,5	15	B250 - 41 ... - 197N4
			63	22	18,5	B263 - 41 ... - 197N4
SMD modules for basic switch A02						
Mounting form module (switch module ED)			B200-D		BFE2 - ED	
Enclosure module, mounting forms 197N1					SBB2 - 197N1	
Enclosure module, mounting forms 197N4					SBB2 - 197N4	
Mounting brackets for enclosure modules SB (1 Set) (Please order separately – accessories see page D5-2)					SBX1	
Dimensions (mm)						
Product lines	H1	B1	T1	T2	H2	B2
B200-D	300	250	150	45	282	185

Enclosed Switches



**Product line
B200-E**

Enclosed switch

**Stainless steel
enclosure
brushed**

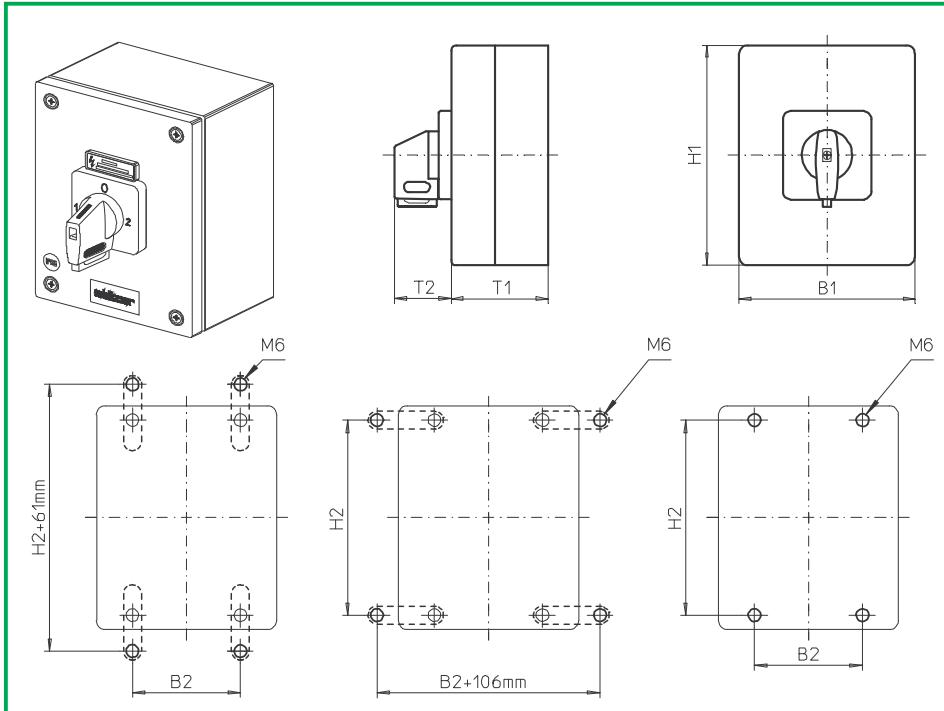
300 x 250 x 150 mm

With cover interlock
in ON position

198M1 (IP66)

Complete switch	Poles	Product lines	Rated data (IEC 60947)			Order code number
			Operational current I _e	Operational power at 380–440 V		
			AC-21A A	AC-23A kW	AC-3 kW	
Changeover with OFF Switching angle 90°	3 ... 4	B200-E	50 63	18,5 22	15 18,5	B250 - 71 ... -198M1 B263 - 71 ... -198M1
SMD modules for basic switch A02						
Mounting form module (switch module ED)			B200-E			BFF2 - ED
Enclosure module, mounting form 198M1						SBB2 - 198M1
Legend plate silver, enclosure module 198M1						FAS6 - 9... (FA number)
Mounting brackets for enclosure modules SB (1 Set) (Please order separately – accessories see page D5-2)						SBX1
Dimensions (mm)						
Product line	H1	B1	T1	T2	H2	B2
B200-E	300	250	150	52	282	185

Enclosed Switches



**Product line
B200-E**

Enclosed switch

**Stainless steel
enclosure
brushed**

300 x 250 x 150 mm

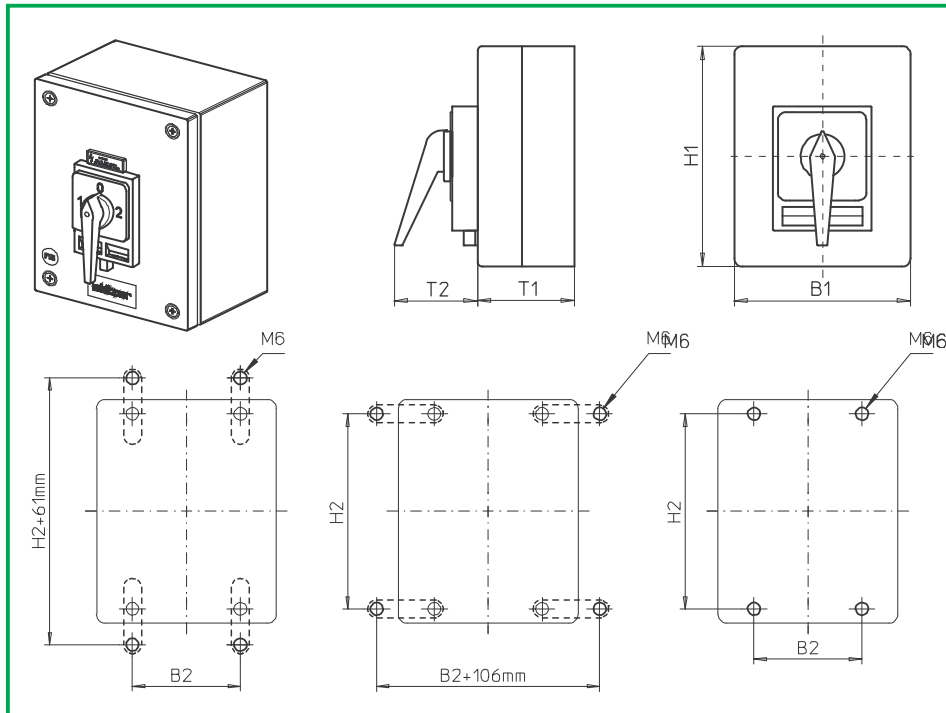
With cover interlock
in ON position

196V1 (IP66)

198V1 (IP66)

Complete switch	Poles	Product lines	Rated data (IEC 60947)			Order code number
			Operational current I_e	Operational power at 380–440 V		
			AC-21A A	AC-23A kW	AC-3 kW	
Changeover with OFF Switching angle 90° OFF position padlockable 12h	3 ... 4	B200-E	50	18,5	15	B250 - 71 ... - 196V1
			63	22	18,5	B263 - 71 ... - 196V1
Changeover with OFF Switching angle 90° 3 positions padlockable (09h/12h/03h)	3 ... 4	B200-E	50	18,5	15	B250 - 71 ... - 198V1
			63	22	18,5	B263 - 71 ... - 198V1
SMD modules for basic switch A02						
Mounting form module (switch module ED)			B200-E			BFF2 - ED
Enclosure module, mounting form 196V1						SBB2 - 196V1
Enclosure module, mounting form 198V1						SBB2 - 198V1
Legend plate silver, enclosure modules 196V1/ 198V1						FAS4 - 9... (FA number)
Mounting brackets for enclosure modules SB (1 Set) (Please order separately – accessories see page D5-2)						SBX1
Dimensions (mm)						
Product line	H1	B1	T1	T2	H2	B2
B200-E	300	250	150	39	282	185

Enclosed Switches



**Product line
B200-E**

Enclosed switch

**Stainless steel
enclosure
brushed**

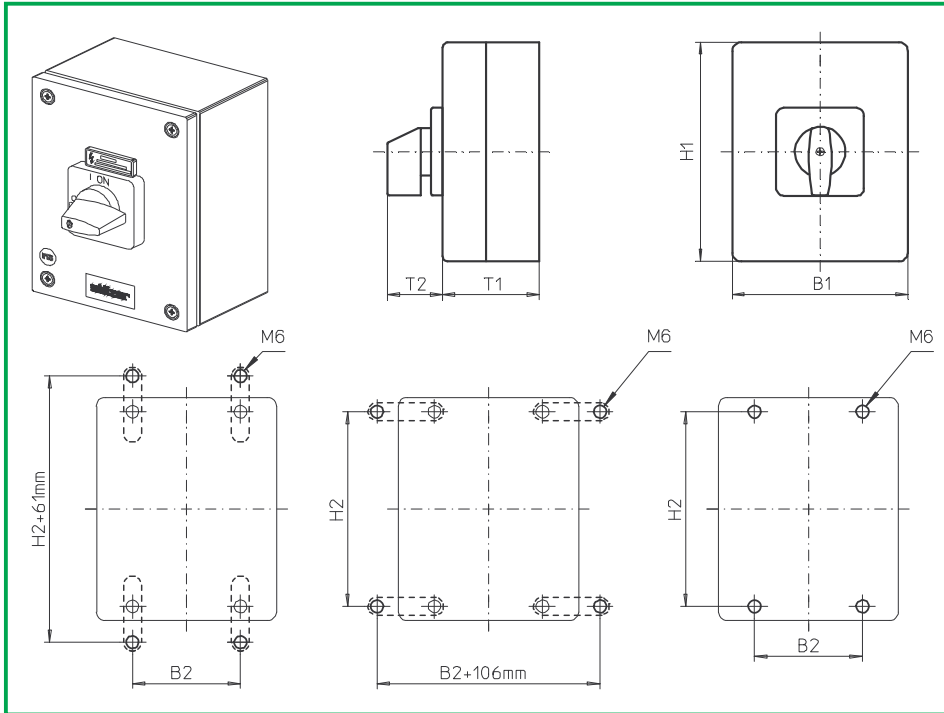
300 x 250 x 150 mm

With cover interlock
in ON position

**196H1 (IP66)
198H1 (IP66)**

Complete switch	Poles	Product lines	Rated data (IEC 60947)			Order code number
			Operational current I_e	Operational power at 380–440 V		
			AC-21A A	AC-23A kW	AC-3 kW	
Changeover with OFF Switching angle 90° OFF position padlockable 12h	3 ... 4	B200-E	50	18,5	15	B250 - 71 ... - 196H1
			63	22	18,5	B263 - 71 ... - 196H1
Changeover with OFF Switching angle 90° 3 positions padlockable (09h/12h/03h)	3 ... 4	B200-E	50	18,5	15	B250 - 71 ... - 198H1
			63	22	18,5	B263 - 71 ... - 198H1
SMD modules for basic switch A02						
Mounting form module for 186H1/188H1			B200-E			BFF2 - ED
Enclosure module, mounting forms 196H1						SBB2 - 196H1
Enclosure module, mounting forms 198H1						SBB2 - 198H1
Legend plate silver, enclosure module 196H1/198H1						FAS6 - 9006
Mounting brackets for enclosure modules SB (1 Set) (Please order separately – accessories see page D5-2)						SBX1
Dimensions (mm)						
Product line	H1	B1	T1	T2	H2	B2
B200-E	300	250	150	83	282	185

Enclosed Switches



**Product line
B200-A**

Enclosed switch

**Stainless steel
enclosure
brushed**

200 x 150 x 120 mm

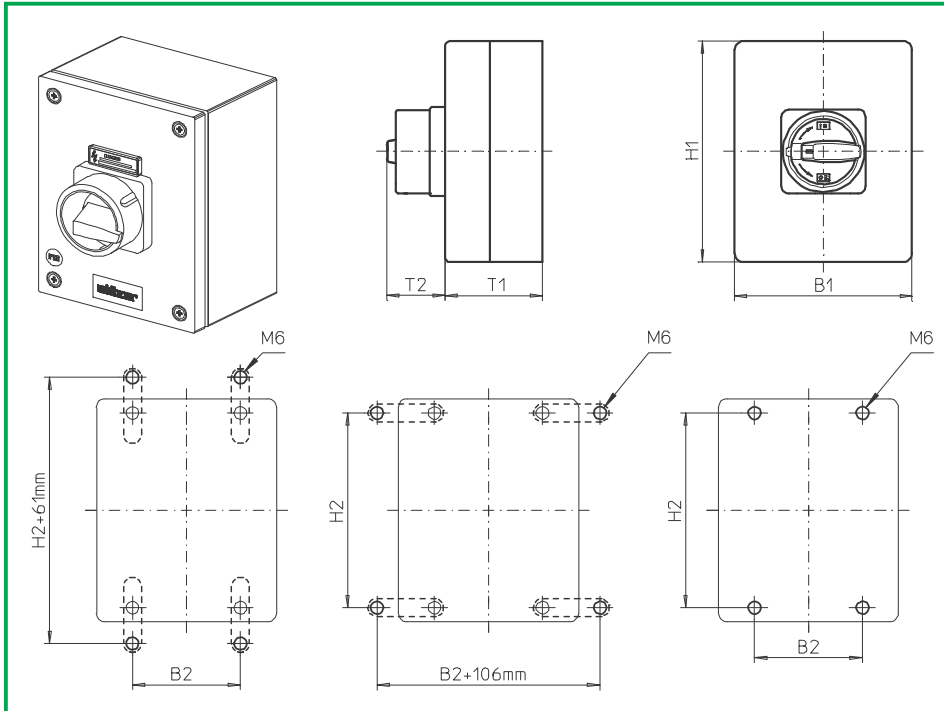
With cover interlock
in ON position

without N module(s)
in the enclosure

596M1 (IP66)

Complete switch	Poles	Product lines	Rated data (IEC 60947)			Order code number
			Operational current I _e	Operational power at 380–440 V		
			AC-21A A	AC-23A kW	AC-3 kW	
ON-OFF Switches Switching angle 90°	2 or 4	B200-A	50 63	18,5 22	15 18,5	B250 - 41 ... - 596M1 B263 - 41 ... - 596M1
Realisable switching programmes: 2-pole 41200 , 41211, 41220 4-pole 41400 , 41411 and 41420						
SMD modules for basic switch A02						
Mounting form module (switch module ED)			B200-A			BFD2 - ED
Enclosure module, mounting form 596M1						SBH2 - 696M1
Legend plate silver, enclosure module 596M1						FAS4 - 9... (FA number)
Mounting brackets for enclosure modules SB (1 Set) (Please order separately – accessories see page D5-2)						SBX1
Dimensions (mm)						
Product lines	H1	B1	T1	T2	H2	B2
B200-A	200	150	120	39	182	85

Enclosed Switches



**Product line
B200-A**

Enclosed switch

**Stainless steel
enclosure
brushed**

200 x 150 x 120 mm

With cover interlock
in ON position

without N module(s)
in the enclosure

597M1 (IP66)

597M4 (IP66)

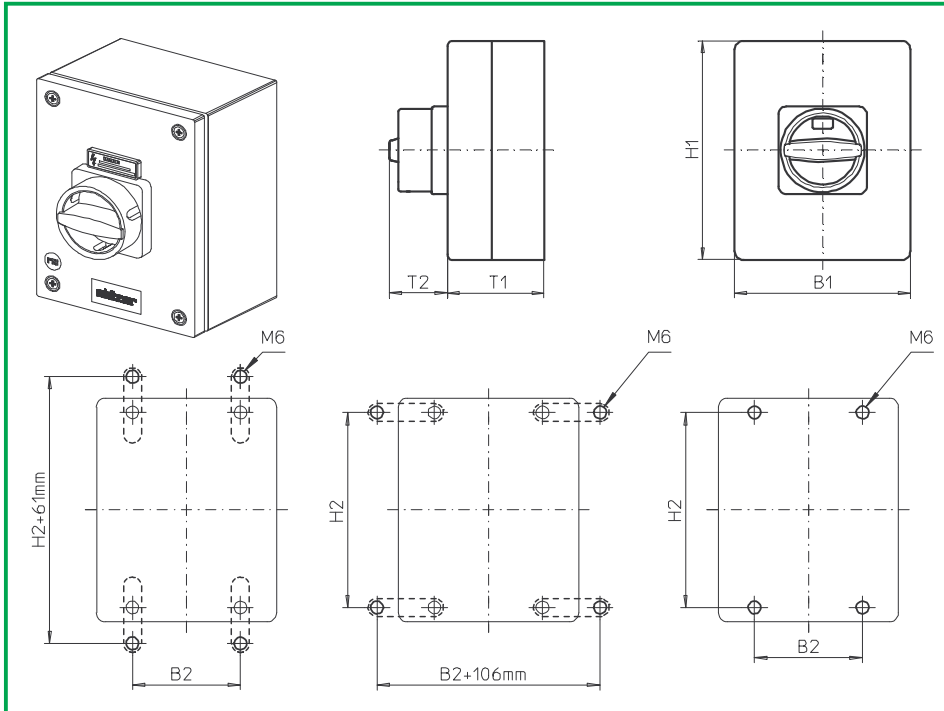
Complete switch	Poles	Product lines	Rated data (IEC 60947)			Order code number
			Operational current I _e	Operational power at 380–440 V		
			AC-21A A	AC-23A kW	AC-3 kW	
Main Switches OFF position padlockable 09h	2 or	B200-A	50	18,5	15	B250 - 41 ... - 597M1
	4		63	22	18,5	B263 - 41 ... - 597M1
Main/Emergency-Off Switches OFF position padlockable 09h	2 or	B200-A	50	18,5	15	B250 - 41 ... - 597M4
	4		63	22	18,5	B263 - 41 ... - 597M4

Realisable switching programmes:
 2-pole **41200**, 41211, 41220
 4-pole **41400**, 41411 and 41420

SMD modules for basic switch A02			
Mounting form module (switch module ED)		B200-A	BFD2 - ED
Enclosure module, mounting forms 597M1			SBH2 - 697M1
Enclosure module, mounting forms 597M4			SBH2 - 697M4
Mounting brackets for enclosure modules SB (1 Set) (Please order separately – accessories see page D5-2)			SBX1

Dimensions (mm)							
Product lines	H1	B1	T1	T2	H2	B2	
B200-A	200	150	120	38	182	85	

Enclosed Switches



**Product line
B200-A**

Enclosed switch

**Stainless steel
enclosure
brushed**

200 x 150 x 120 mm

With cover interlock
in ON position

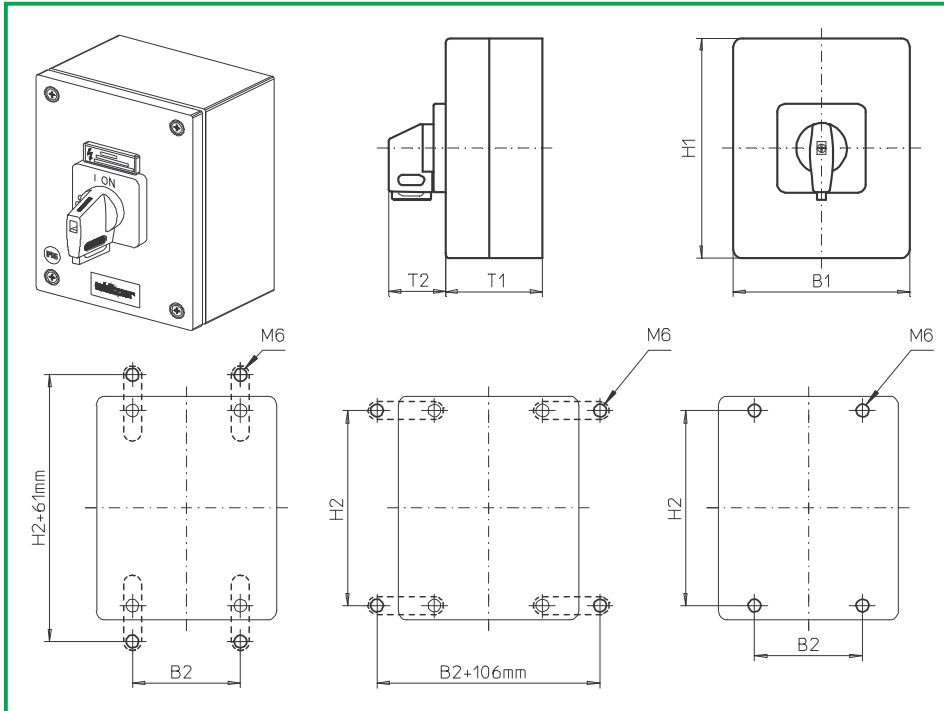
without N module(s)
in the enclosure

597N1 (IP66)

597N4 (IP66)

Complete switch	Poles	Product lines	Rated data (IEC 60947)			Order code number
			Operational current I _e AC-21A A	Operational power at 380–440 V AC-23A kW	AC-3 kW	
Main Switches OFF position padlockable 09h	2 or	B200-A	50	18,5	15	B250 - 41 ... - 597N1 B263 - 41 ... - 597N1
	4		63	22	18,5	
Main/Emergency-Off Switches OFF position padlockable 09h	2 or	B200-A	50	18,5	15	B250 - 41 ... - 597N4 B263 - 41 ... - 597N4
	4		63	22	18,5	
Realisable switching programmes: 2-pole 41200 , 41211, 41220 4-pole 41400 , 41411 and 41420						
SMD modules for basic switch A02						
Mounting form module (switch module ED)			B200-A		BFD2 - ED	
Enclosure module, mounting forms 597N1					SBH2 - 697N1	
Enclosure module, mounting forms 597N4					SBH2 - 697N4	
Mounting brackets for enclosure modules SB (1 Set) (Please order separately – accessories see page D5-2)					SBX1	
Dimensions (mm)						
Product lines	H1	B1	T1	T2	H2	B2
B200-A	200	150	120	33	182	85

Enclosed Switches



**Product line
B200-A**

Enclosed switch

**Stainless steel
enclosure
brushed**

200 x 150 x 120 mm

With cover interlock
in ON position

without N module(s)
in the enclosure

597V1 (IP66)

597V4 (IP66)

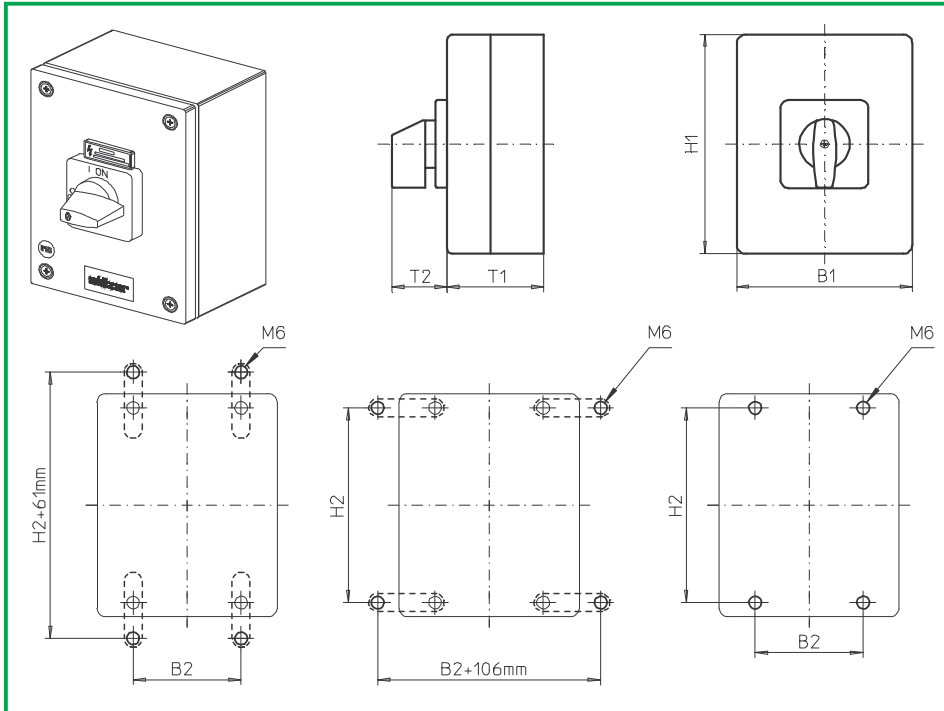
Complete switch	Poles	Product lines	Rated data (IEC 60947)			Order code number
			Operational current I _e	Operational power at 380–440 V		
			AC-21A A	AC-23A kW	AC-3 kW	
Main Switches OFF position padlockable 09h	2 or	B200-A	50	18,5	15	B250 - 41 ... - 597V1 B263 - 41 ... - 597V1
	4		63	22	18,5	
Main/Emergency-Off Switches OFF position padlockable 09h	2 or	B200-A	50	18,5	15	B250 - 41 ... - 597V4 B263 - 41 ... - 597V4
	4		63	22	18,5	

Realisable switching programmes:
 2-pole **41200**, 41211, 41220
 4-pole **41400**, 41411 and 41420

SMD modules for basic switch A02		
Mounting form module (switch module ED)	B200-A	BFD2 - ED
Enclosure module, mounting forms 597V1		SBH2 - 697V1
Enclosure module, mounting forms 597V4		SBH2 - 697V4
Legend plate silver, enclosure module 597V1		FAS4 - 9... (FA number)
Legend plate yellow, enclosure module 597V4		FBS4 - 9... (FA number)
Mounting brackets for enclosure modules SB (1 Set) (Please order separately – accessories see page D5-2)		SBX1

Dimensions (mm)							
Product lines	H1	B1	T1	T2	H2	B2	
B200-A	200	150	120	39	182	85	

Enclosed Switches



**Product lines
B200-D/ -E**

Enclosed switch

**Stainless steel
enclosure
brushed**

300 x 250 x 150 mm

With cover interlock
in ON position

without N module(s)
in the enclosure

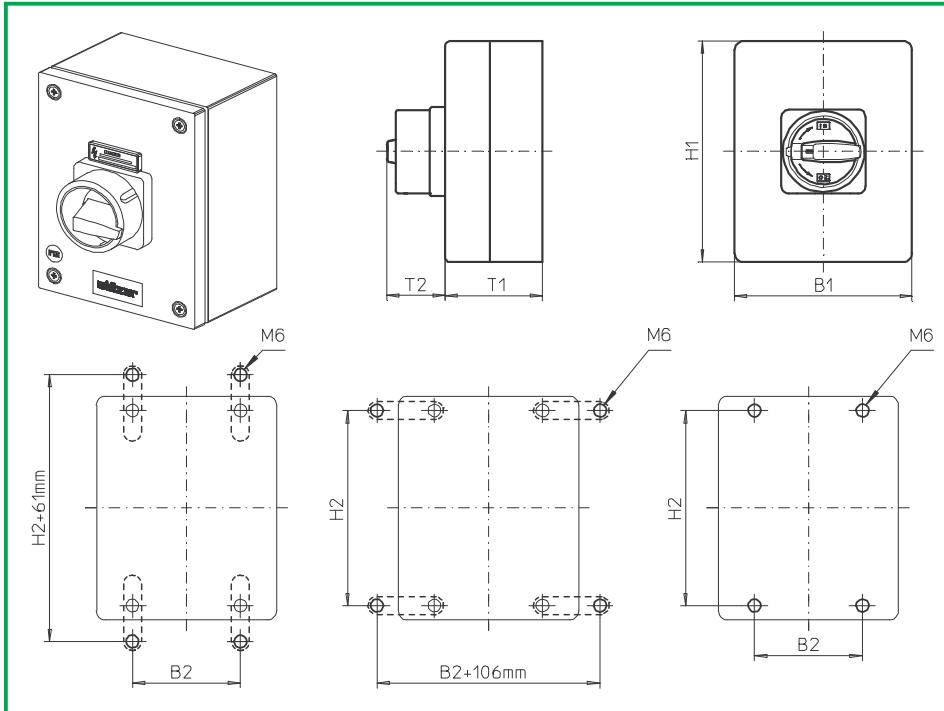
696M1 (IP66)

Complete switch	Poles	Product lines	Rated data (IEC 60947)			Order code number
			Operational current I_e	Operational power at 380–440 V		
			AC-21A A	AC-23A kW	AC-3 kW	
ON-OFF Switches Switching angle 90°	4 or	B200-D	50	18,5	15	B250 - 41 ... -696M1
	8		63	22	18,5	B263 - 41 ... -696M1
Changeover with OFF Switching angle 90°	4	B200-E	50	18,5	15	B250 - 71 ... -696M1
			63	22	18,5	B263 - 71 ... -696M1

SMD modules for basic switch A02		
Mounting form module (switch module ED)	B200-D	BFE2 - ED
Mounting form module (switch module ED)	B200-E	BFF2 - ED
Enclosure module, mounting form 696M1	B200-D/ -E	SBH4 - 696M1
Legend plate silver, enclosure module 696M1	B200-D/ -E	FAS6 - 9... (FA number)
Mounting brackets for enclosure modules SB (1 Set) (Please order separately – accessories see page D5-2)		SBX1

Dimensions (mm)							
Product lines	H1	B1	T1	T2	H2	B2	
B200-D/ -E	300	250	150	52	282	185	

Enclosed Switches



**Product line
B200-D**

Enclosed switch

**Stainless steel
enclosure
brushed**

300 x 250 x 150 mm

With cover interlock
in ON position

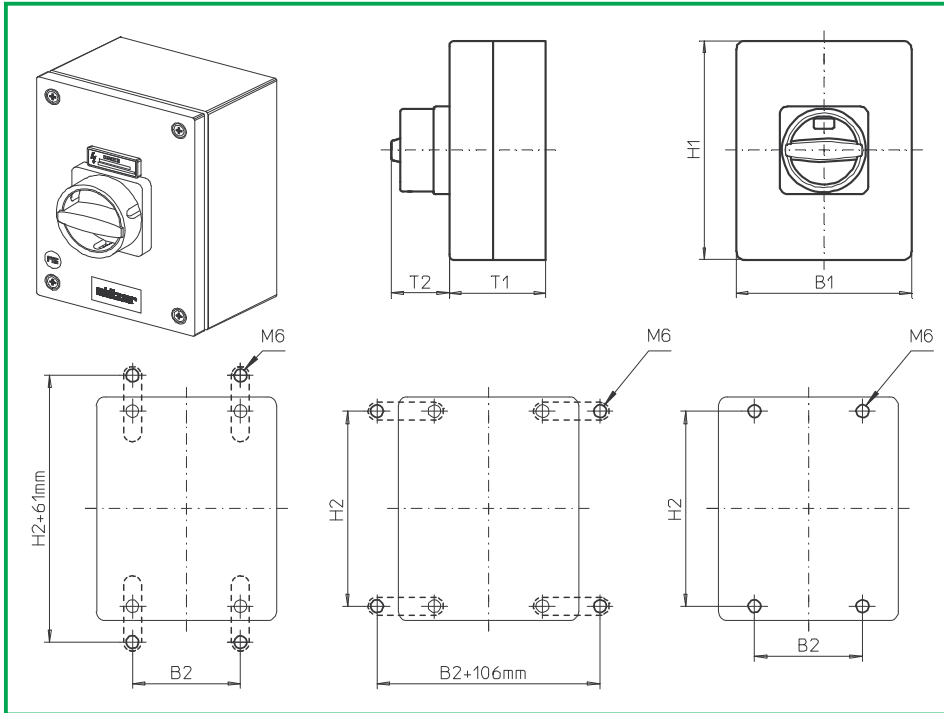
without N module(s)
in the enclosure

697M1 (IP66)

697M4 (IP66)

Complete switch	Poles	Product lines	Rated data (IEC 60947)			Order code number
			Operational current I _e AC-21A A	Operational power at 380–440 V AC-23A kW	AC-3 kW	
Main Switches OFF position padlockable 09h	4 or 8	B200-D	50 63	18,5 22	15 18,5	B250 - 41 ... - 697M1 B263 - 41 ... - 697M1
Main/Emergency-Off Switches OFF position padlockable 09h	4 or 8	B200-D	50 63	18,5 22	15 18,5	B250 - 41 ... - 697M4 B263 - 41 ... - 697M4
SMD modules for basic switch A02						
Mounting form module (switch module ED)			B200-D			BFE2 - ED
Enclosure module, mounting forms 697M1						SBH4 - 697M1
Enclosure module, mounting forms 697M4						SBH4 - 697M4
Mounting brackets for enclosure modules SB (1 Set) (Please order separately – accessories see page D5-2)						SBX1
Dimensions (mm)						
Product lines	H1	B1	T1	T2	H2	B2
B200-D	300	250	150	50	282	185

Enclosed Switches



**Product line
B200-D**

Enclosed switch

**Stainless steel
enclosure
brushed**

300 x 250 x 150 mm

With cover interlock
in ON position

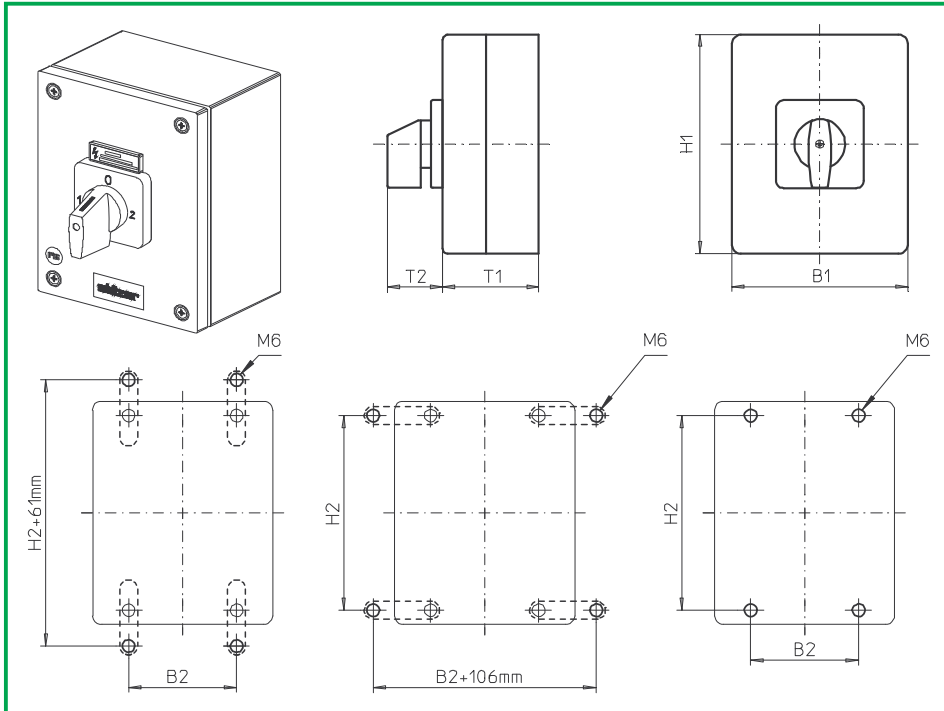
without N module(s)
in the enclosure

697N1 (IP66)

697N4 (IP66)

Complete switch	Poles	Product lines	Rated data (IEC 60947)			Order code number
			Operational current I _e AC-21A A	Operational power at 380–440 V AC-23A kW	AC-3 kW	
Main Switches OFF position padlockable 09h	4 or 8	B200-D	50 63	18,5 22	15 18,5	B250 - 41 ... - 697N1 B263 - 41 ... - 697N1
Main/Emergency-Off Switches OFF position padlockable 09h	4 or 8	B200-D	50 63	18,5 22	15 18,5	B250 - 41 ... - 687N4 B263 - 41 ... - 687N4
SMD modules for basic switch A02						
Mounting form module (switch module ED)			B200-D			BFE2 - ED
Enclosure module, mounting forms 697N1						SBH4 - 697N1
Enclosure module, mounting forms 697N4						SBH4 - 697N4
Mounting brackets for enclosure modules SB (1 Set) (Please order separately – accessories see page D5-2)						SBX1
Dimensions (mm)						
Product lines	H1	B1	T1	T2	H2	B2
B200-D	300	250	150	45	282	185

Enclosed Switches



**Product line
B200-E**

Enclosed switch

**Stainless steel
enclosure
brushed**

300 x 250 x 150 mm

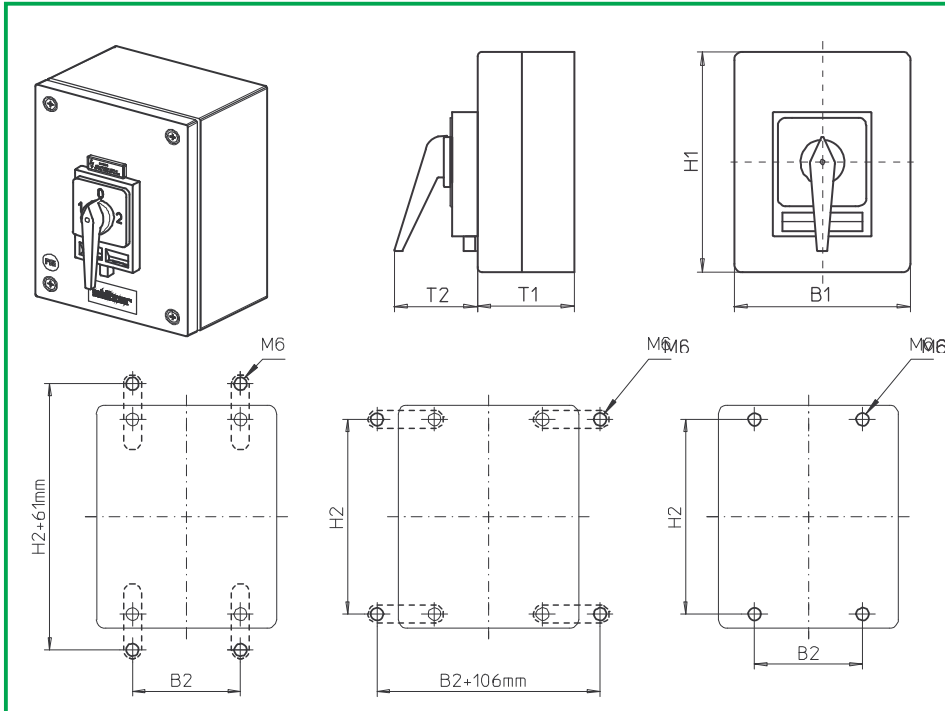
With cover interlock
in ON position

without N module(s)
in the enclosure

698M1 (IP66)

Complete switch	Poles	Product lines	Rated data (IEC 60947)			Order code number
			Operational current I_e	Operational power at 380–440 V		
			AC-21A A	AC-23A kW	AC-3 kW	
Changeover with OFF Switching angle 90°	4	B200-E	50 63	18,5 22	15 18,5	B250 - 71 ... -698M1 B263 - 71 ... -698M1
SMD modules for basic switch A02						
Mounting form module (switch module ED)			B200-E			BFF2 - ED
Enclosure module, mounting form 698M1						SBH4 - 698M1
Legend plate silver, enclosure module 698M1						FAS6 - 9... (FA number)
Mounting brackets for enclosure modules SB (1 Set) (Please order separately – accessories see page D5-2)						SBX1
Dimensions (mm)						
Product line	H1	B1	T1	T2	H2	B2
B200-E	300	250	150	52	282	185

Enclosed Switches



**Product line
B200-E**

Enclosed switch

**Stainless steel
enclosure
brushed**

300 x 250 x 150 mm

With cover interlock
in ON position

without N module(s)
in the enclosure

696H1 (IP66)

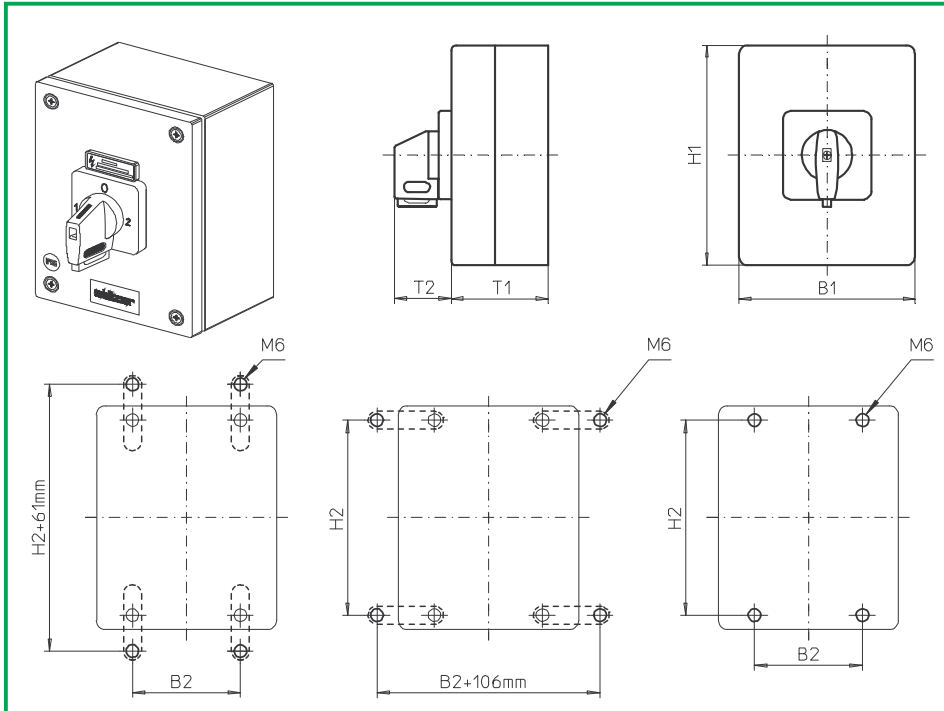
698H1 (IP66)

Complete switch	Poles	Product lines	Rated data (IEC 60947)			Order code number
			Operational current I _e	Operational power at 380–440 V		
			AC-21A A	AC-23A kW	AC-3 kW	
Changeover with OFF Switching angle 90° OFF position padlockable 12h	4	B200-E	50	18,5	15	B250 - 71 ... - 696H1
			63	22	18,5	B263 - 71 ... - 696H1
Changeover with OFF Switching angle 90° 3 positions padlockable (09h/12h/03h)	4	B200-E	50	18,5	15	B250 - 71 ... - 698H1
			63	22	18,5	B263 - 71 ... - 698H1

SMD modules for basic switch A02			
Mounting form module (switch module ED)		B200-E	BFF2 - ED
Enclosure module, mounting form 696H1			SBH4 - 696H1
Enclosure module, mounting form 698H1			SBH4 - 698H1
Legend plate silver, enclosure modules 686H1/ 688H1			FAS4 - 9... (FA number)
Mounting brackets for enclosure modules SB (1 Set) (Please order separately – accessories see page D5-2)			SBX1

Dimensions (mm)							
Product line	H1	B1	T1	T2	H2	B2	
B200-E	300	250	150	83	282	185	

Enclosed Switches



**Product line
B200-E**

Enclosed switch

**Stainless steel
enclosure
brushed**

300 x 250 x 150 mm

With cover interlock
in ON position

without N module(s)
in the enclosure

696V1 (IP66)

698V1 (IP66)

Complete switch	Poles	Product lines	Rated data (IEC 60947)			Order code number
			Operational current I _e	Operational power at 380–440 V		
			AC-21A A	AC-23A kW	AC-3 kW	
Changeover with OFF Switching angle 90° OFF position padlockable 12h	4	B200-E	50	18,5	15	B250 - 71 ... - 696V1
			63	22	18,5	B263 - 71 ... - 696V1
Changeover with OFF Switching angle 90° 3 positions padlockable (09h/12h/03h)	4	B200-E	50	18,5	15	B250 - 71 ... - 698V1
			63	22	18,5	B263 - 71 ... - 698V1

SMD modules for basic switch A02

Mounting form module (switch module ED)

B200-E

BFF2 - ED

Enclosure module, mounting form 696V1
Enclosure module, mounting form 698V1

SBH4 - 696V1
SBH4 - 698V1

Legend plate silver, enclosure modules 196V1/ 198V1

FAS4 - 9... (FA number)

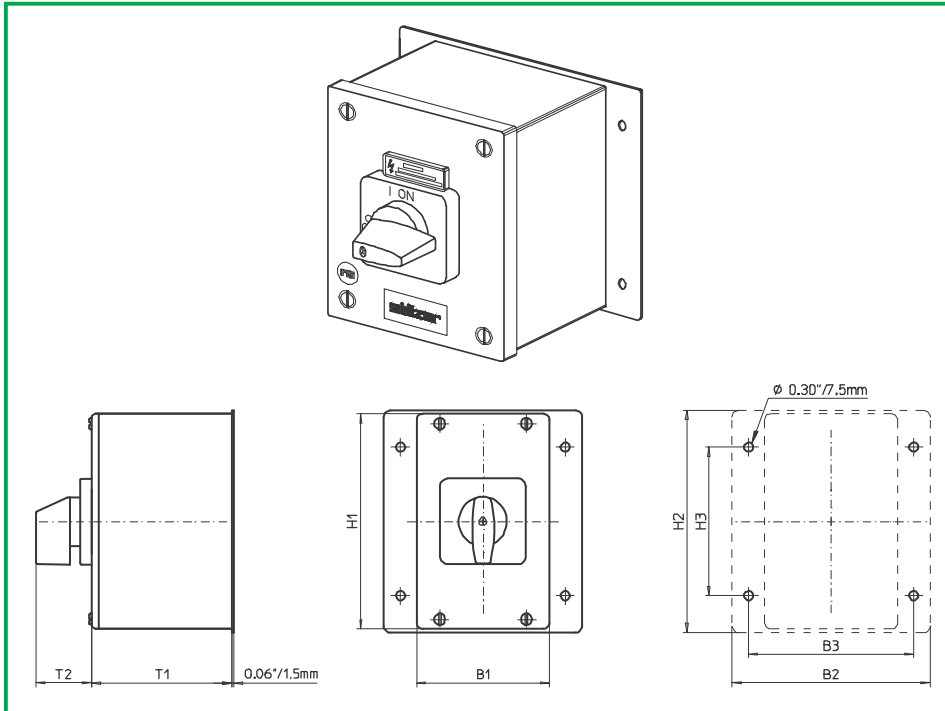
Mounting brackets for enclosure modules SB (1 Set)
(Please order separately – accessories see page D5-2)

SBX1

Dimensions (mm)

Product line	H1	B1	T1	T2	H2	B2
B200-E	300	250	150	39	282	185

Enclosed Switches



**Product line
B200-A**

Enclosed switch

**Stainless steel
enclosure
polished**

160 x 160 x 110 mm

With cover interlock
in OFF position

without N module(s)
in the enclosure

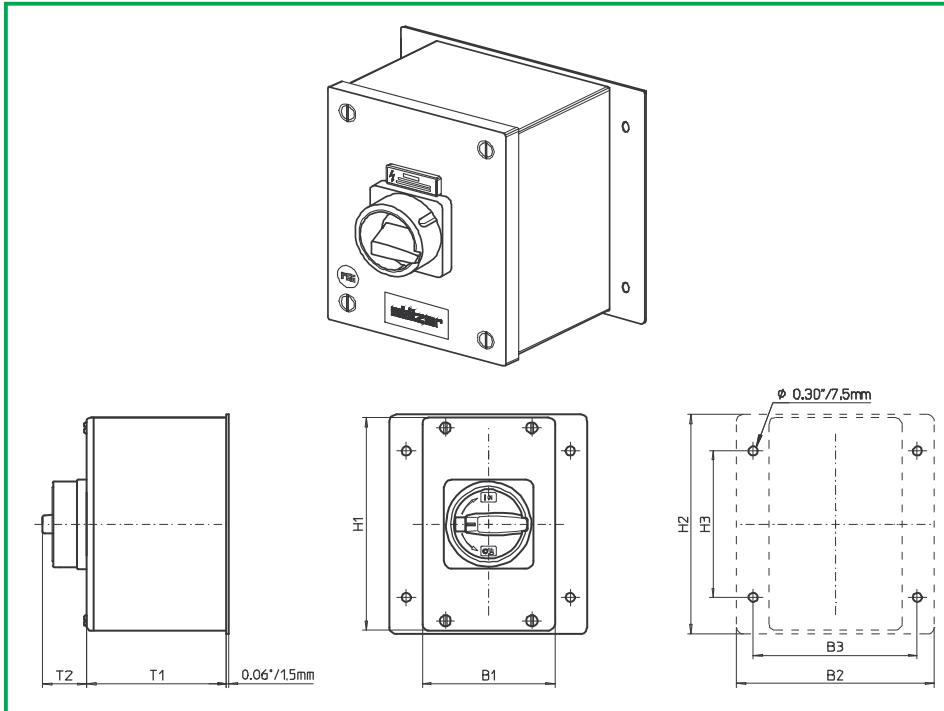
190M1 (IP66)

Complete switch	Poles	Product lines	Rated data (IEC 60947)			Order code number
			Operational current I_e	Operational power at 380–440 V		
			AC-21A A	AC-23A kW	AC-3 kW	
ON-OFF Switches Switching angle 90°	3 ... 4	B200-A	50 63	18,5 22	15 18,5	B250 - 41 ... - 190M1 B263 - 41 ... - 190M1

SMD modules for basic switch A02						
Mounting form module for 190M1				B200-A		BFB2 - E9
Enclosure module, mounting form 190M1						SBH2 - 190M1
Legend plate silver, enclosure module 190M1						FAS4 - 9... (FA number)

Dimensions (mm)								
Product lines	H1	B1	T1	T2	H2	H3	B2	B3
B200-A	160	160	110	39	165	110	210	185

Enclosed Switches



**Product line
B200-A**

Enclosed switch

**Stainless steel
enclosure
polished**

160 x 160 x 110 mm

With cover interlock
in OFF position

without N module(s)
in the enclosure

192M1 (IP66)

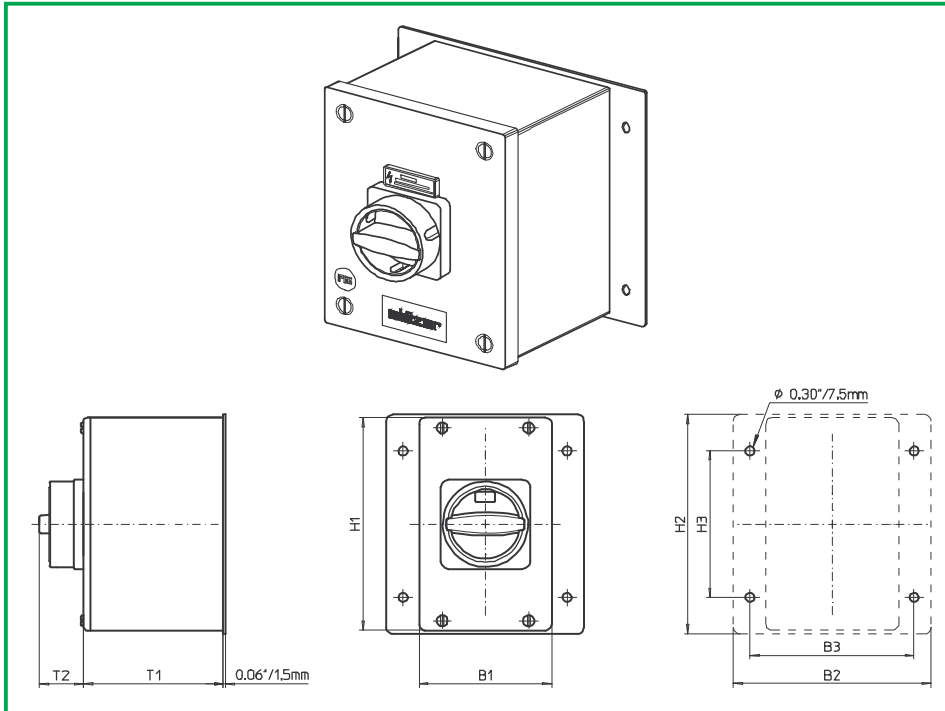
192M4 (IP66)

Complete switch	Poles	Product lines	Rated data (IEC 60947)			Order code number
			Operational current I _e	Operational power at 380–440 V		
			AC-21A A	AC-23A kW	AC-3 kW	
Main Switches OFF position padlockable 09h	3 ... 4	B200-A	50 63	18,5 22	15 18,5	B250 - 41 ... - 192M1 B263 - 41 ... - 192M1
Main/Emergency-Off Switches OFF position padlockable 09h	3 ... 4	B200-A	50 63	18,5 22	15 18,5	B250 - 41 ... - 192M1 B263 - 41 ... - 192M1

SMD modules for basic switch A02			
Mounting form module for 192M1/ 192M4		B200-A	BFB2 - E9
Enclosure module, mounting form 192M1			SBH2 - 192M1
Enclosure module, mounting form 192M4			SBH2 - 192M4

Dimensions (mm)								
Product lines	H1	B1	T1	T2	H2	H3	B2	B3
B200-A	160	160	110	38	165	110	210	185

Enclosed Switches



**Product line
B200-A**

Enclosed switch

**Stainless steel
enclosure
polished**

160 x 160 x 110 mm

With cover interlock
in OFF position

without N module(s)
in the enclosure

192N1 (IP66)

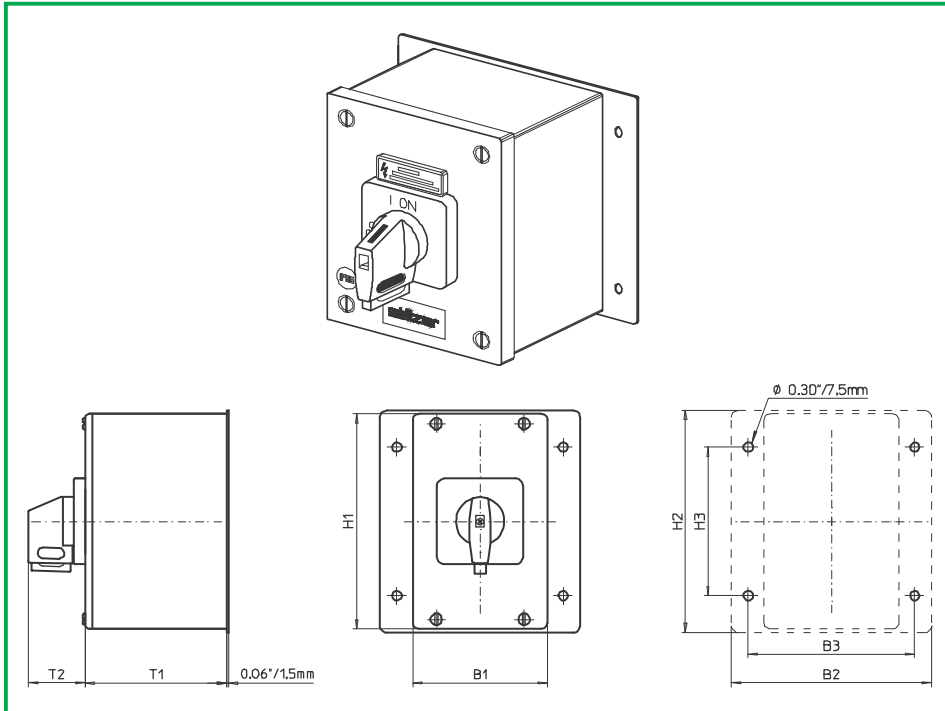
192N4 (IP66)

Complete switch	Poles	Product lines	Rated data (IEC 60947)			Order code number
			Operational current I _e	Operational power at 380–440 V		
			AC-21A A	AC-23A kW	AC-3 kW	
Main Switches OFF position padlockable 09h	3 ... 4	B200-A	50 63	18,5 22	15 18,5	B250 - 41 ... - 192N1 B263 - 41 ... - 192N1
Main/Emergency-Off Switches OFF position padlockable 09h	3 ... 4	B200-A	50 63	18,5 22	15 18,5	B250 - 41 ... - 192N1 B263 - 41 ... - 192N1

SMD modules for basic switch A02			
Mounting form module for 192N1/ 192N4		B200-A	BFB2 - E9
Enclosure module, mounting form 192N1			SBH2 - 192N1
Enclosure module, mounting form 192N4			SBH2 - 192N4

Dimensions (mm)								
Product lines	H1	B1	T1	T2	H2	H3	B2	B3
B200-A	160	160	110	33	165	110	210	185

Enclosed Switches



**Product line
B200-A**

Enclosed switch

**Stainless steel
enclosure
polished**

160 x 160 x 110 mm

With cover interlock
in OFF position

without N module(s)
in the enclosure

192V1 (IP66)

192V4 (IP66)

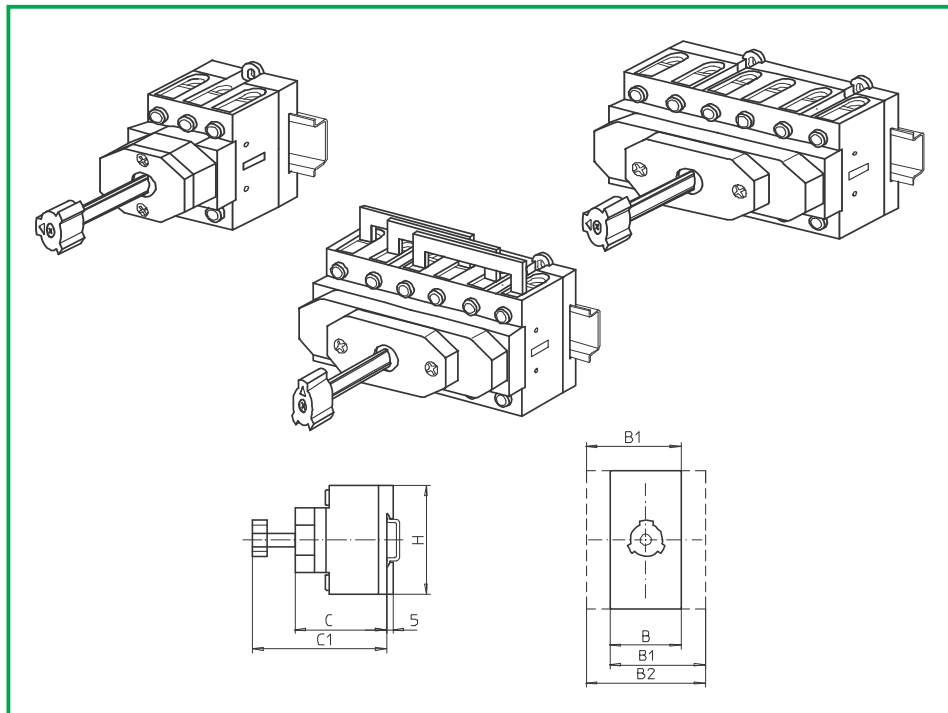
Complete switch	Poles	Product lines	Rated data (IEC 60947)			Order code number
			Operational current I _e	Operational power at 380–440 V		
			AC-21A A	AC-23A kW	AC-3 kW	
Main Switches OFF position padlockable 09h	3 ... 4	B200-A	50 63	18,5 22	15 18,5	B250 - 41 ... - 192V1 B263 - 41 ... - 192V1
Main/Emergency-Off Switches OFF position padlockable 09h	3 ... 4	B200-A	50 63	18,5 22	15 18,5	B250 - 41 ... - 192V1 B263 - 41 ... - 192V1

SMD modules for basic switch A02			
Mounting form module for 192V1/ 192V4		B200-A	BFB2 - E9
Enclosure module, mounting form 192V1			SBH2 - 192V1
Enclosure module, mounting form 192V4			SBH2 - 192V4
Legend plate silver, enclosure module 192V1			FAS4 - 9... (FA number)
Legend plate yellow, enclosure module 192V4			FBS4 - 9... (FA number)

Dimensions (mm)								
Product lines	H1	B1	T1	T2	H2	H3	B2	B3
B200-A	160	160	110	39	165	110	210	185

Switch Modules

sälzer



Product lines
B200-A/ -D/ -E

Switch modules

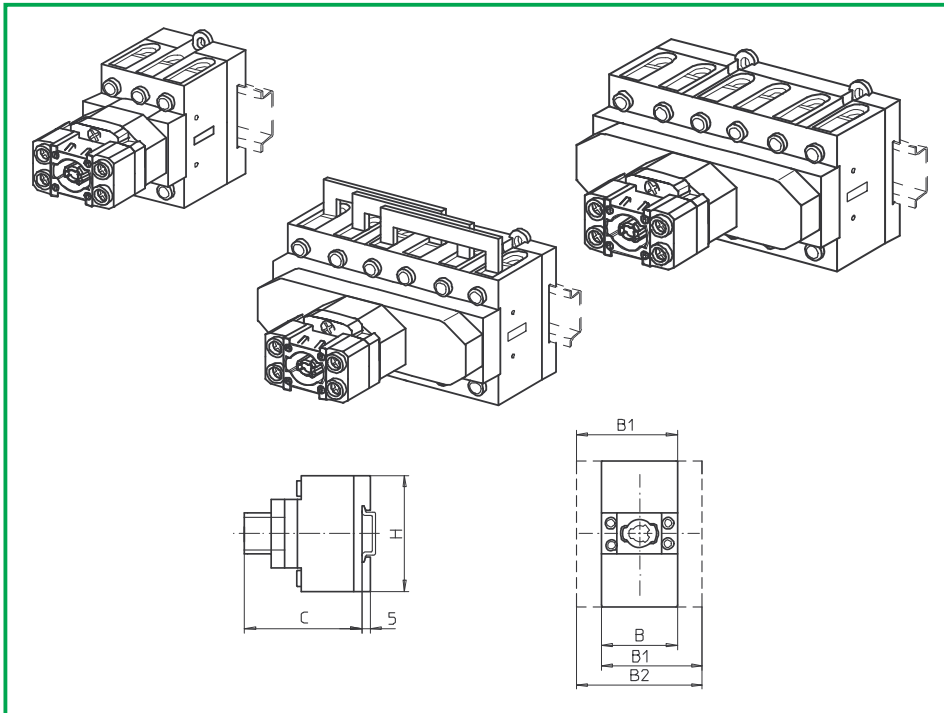
Base mounting
Snap on mounting
on DIN rail 35mm

ED (IP20)

Available Switching programmes (as well with auxiliary/ main contact modules)	Poles	Product lines	Rated data (IEC 60947)			Order code number (Switching programme to be added.)
			Operational current I _e AC-21A A	Operational power at 380–440 V AC-23A kW	AC-3 kW	
ON-OFF Switches Switching positions 0-1 Switching angle 90°	3 ... 8	B200-A/ -D	50	18,5	15	B250 - 41 ... - ED
			63	22	18,5	B263 - 41 ... - ED
Changeover with OFF Switching positions 1-0-2 Switching angle 90°	3 ... 4	B200-E	50 63	18,5 22	15 18,5	B250 - 71 ... - ED B263 - 71 ... - ED
Dimensions (mm)						
Modules	H	C	C1	B	B1	B2
B200-A	72	54	81	50	69	88
B200-D/ -E	72	66	81	100	119	138

Switch Modules

sälzer



Product lines
B200-A/ -D/ -E

Switch modules
für mounting forms
740
with 2 PE terminals

Anschlussquerschnitte
bis 16 mm²

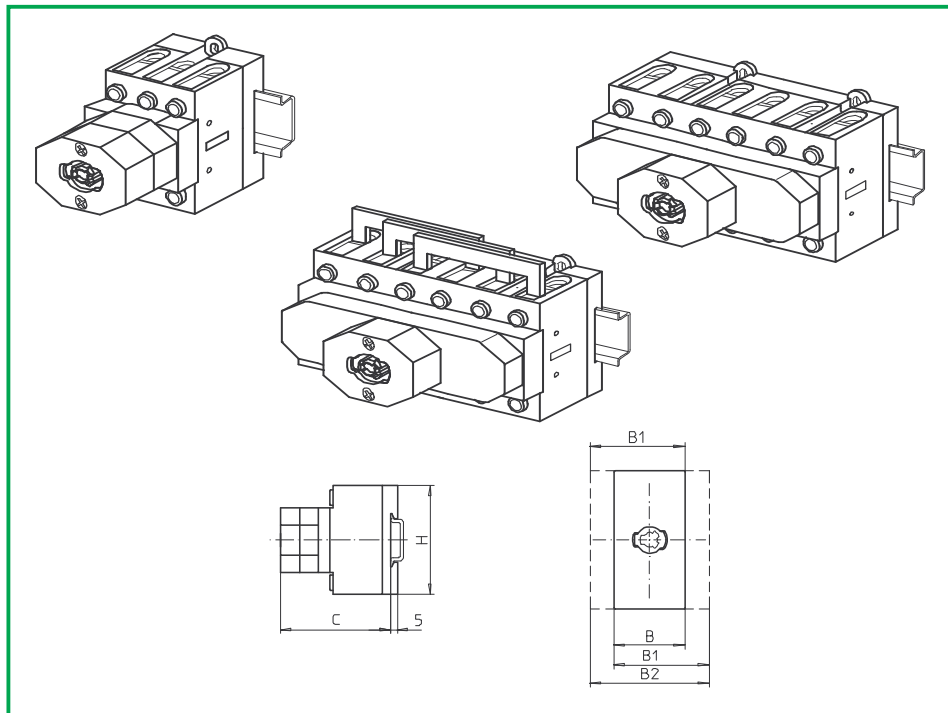
Base mounting
Snap on mounting
on DIN rail 35mm

E6 (IP20)

Available Switching programmes (as well with auxiliary/ main contact modules)	Poles	Product lines	Rated data (IEC 60947)			Order code number (Switching programme to be added.)
			Operational current I _e AC-21A A	Operational power at 380-440 V AC-23A kW	AC-3 kW	
Ein-/Ausschalter Schaltstellungen 0-1 90° Schaltwinkel	3 ... 8	B200-A/ -D	50	18,5	15	B250 - 41 ... - E6 B263 - 41 ... - E6
			63	22	18,5	
Umschalter mit Nullstellung Schaltstellungen 1-0-2 90° Schaltwinkel	3 ... 4	B200-E	50 63	18,5 22	15 18,5	B250 - 71 ... - E6 B263 - 71 ... - E6
Dimensions (mm)						
Module	H	C	B	B1	B2	
B200-A	72	75	50	69	88	
B200-D/ -E	72	87	100	119	138	

Switch Modules

sälzer



Product lines
B200-A/ -D/ -E

Switch modules
for mounting forms
700 / 710 / 720

Base mounting
Snap on mounting
on DIN rail 35mm

E7 (IP20)

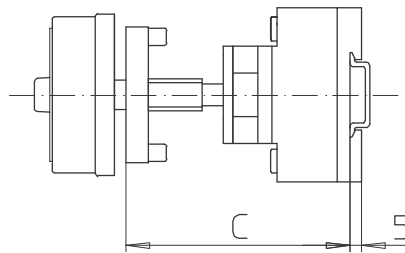
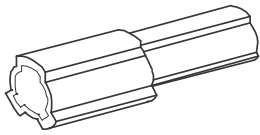
Available Switching programmes (as well with auxiliary/ main contact modules)	Poles	Product lines	Rated data (IEC 60947)			Order code number (Switching programme to be added.)
			Operational current I _e AC-21A A	Operational power at 380–440 V AC-23A kW	AC-3 kW	
ON-OFF Switches Switching positions 0-1 Switching angle 90°	3 ... 8	B200-A/ -D	50	18,5	15	B250 - 41 ... - E7 B263 - 41 ... - E7
			63	22	18,5	
Changeover with OFF Switching positions 1-0-2 Switching angle 90°	3 ... 4	B200-E	50 63	18,5 22	15 18,5	B250 - 71 ... - E7 B263 - 71 ... - E7
Dimensions (mm)						
Modules	H	C	B	B1	B2	
B200-A	72	63	50	69	88	
B200-D/ -E	72	75	100	119	138	



Section D

	Page	
	from	to
Shaft extensions	D1-1	D1-4
Covers	D2-1	D2-1
Additional top escutcheon plates	D3-1	D3-2
Assembly tool	D4-1	D4-1
Mounting sets	D5-1	D5-2

Originator: Sälzer Electric GmbH · Product Data Management (PDM) · 09306 Rochlitz (Germany)
 Copyright reserved by Sälzer Electric GmbH. This document replaces all previous issues.
 Valid until a new version is published. Changes and revisions reserved.



**Product lines
B200-A/ -D/ -E**

**Modular shaft
extension**

For mounting forms with
**Base mounting
switches
Door clutch**

Four hole mounting
Front

AVD2

Modular shaft extensions for use with door clutch

Dimension C (internal depth, inside of door to top of DIN rail)

Dimension	B200-A/	B200-D/ -E	No.	Order code number
0	092 ... 109 mm	100 ... 117 mm	-	-
1	110 ... 134 mm	118 ... 142 mm	1	AVD2
2	135 ... 159 mm	143 ... 167 mm	2	AVD2
3	160 ... 184 mm	168 ... 192 mm	3	AVD2
4	185 ... 209 mm	193 ... 217 mm	4	AVD2

Product lines B200

AVD2 is suitable to extend the shaft:

231M1/ 231M4

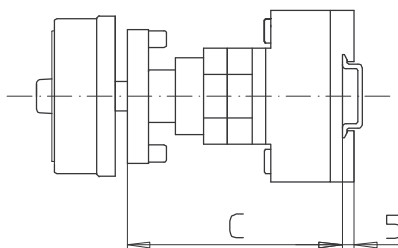
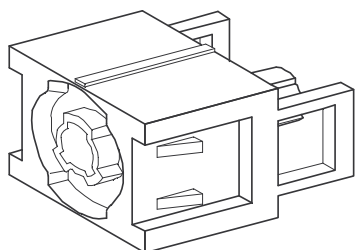
232M1/ 232M4
232N1/ 232N4
232V1/ 232V4

237M1/ 237M4
237N1/ 237N4
237V1/ 237V4

241M1

247M1

246V1/ 247V1



**Product lines
B200-A/ -D/ -E**

**Modular shaft
extension**

For mounting forms with
**Base mounting
switches
Door interlock**

Four hole mounting
Front

AVC2 - .

Modular shaft extensions for use with door interlock

Dimension C (internal depth, inside of door to top of DIN rail)

Dimension	B200-A	B200-D/ -E	No.	Order code number
0	092 . . . 107 mm	100 . . . 115 mm	-	-
1	114 . . . 132 mm	122 . . . 140 mm	1	AVC2 - 1
2	139 . . . 157 mm	147 . . . 165 mm	1	AVC2 - 2
3	164 . . . 182 mm	172 . . . 190 mm	1	AVC2 - 3
4	189 . . . 207 mm	197 . . . 215 mm	1	AVC2 - 4

Product lines B200

AVC2-. is suitable to extend the shaft:

without N/PE
connection links

234M1/ 234M4
234N1/ 234N4
234V1/ 234V4

235M1/ 235M4

238M1/ 238M4
238N1/ 238N4
238V1/ 238V4

242M1

248M1

248V1/ 249V1

with N/PE
connection links

534M1/ 534M4
534N1/ 534N4
534V1/ 534V4

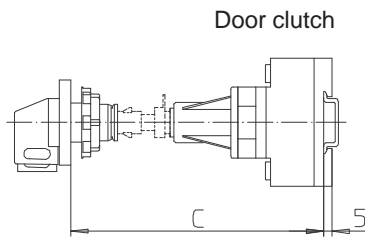
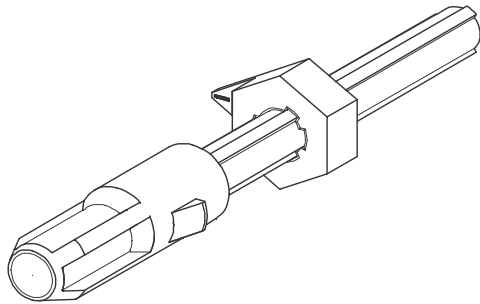
535M1/ 535M4

538M1/ 538M4
538N1/ 538N4
538V1/ 538V4

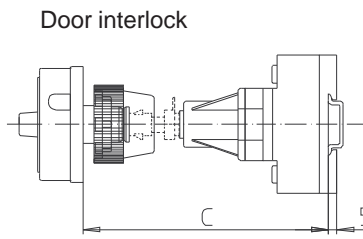
542M1

548M1

548V1/ 549V1



Door clutch



Door interlock

Product lines
B200-A/ -D/ -E

Metal shaft extension

For mounting forms with
Base mounting
switches
Door clutch or
Door interlock

Single hole mounting
ø 22,5 mm front

AVA8 - . . .

Metal shaft extension for mounting forms with door clutch or door interlock and single hole mounting ø 22,5 mm front

Dimension C (internal depth, outside of door to top of DIN rail)

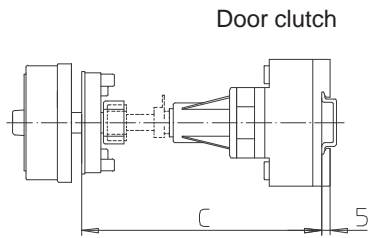
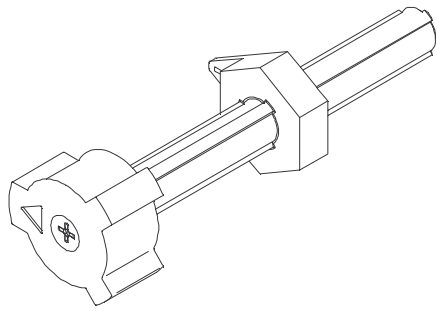
B200-A	B200-D/ -E	Order code number
155 . . . 173 mm	167 . . . 185 mm	AVA8 - 065
174 . . . 198 mm	186 . . . 210 mm	AVA8 - 090
199 . . . 223 mm	211 . . . 235 mm	AVA8 - 115
224 . . . 248 mm	236 . . . 260 mm	AVA8 - 140
249 . . . 273 mm	261 . . . 285 mm	AVA8 - 165
274 . . . 298 mm	286 . . . 310 mm	AVA8 - 190
299 . . . 323 mm	311 . . . 335 mm	AVA8 - 215
324 . . . 348 mm	336 . . . 360 mm	AVA8 - 240
349 . . . 373 mm	361 . . . 385 mm	AVA8 - 265
374 . . . 398 mm	386 . . . 419 mm	AVA8 - 290
399 . . . 423 mm	411 . . . 435 mm	AVA8 - 315
424 . . . 448 mm	436 . . . 460 mm	AVA8 - 340
449 . . . 473 mm	461 . . . 485 mm	AVA8 - 365
474 . . . 498 mm	486 . . . 510 mm	AVA8 - 390
499 . . . 523 mm	511 . . . 535 mm	AVA8 - 415
524 . . . 548 mm	536 . . . 560 mm	AVA8 - 440
549 . . . 573 mm	561 . . . 585 mm	AVA8 - 465
574 . . . 598 mm	586 . . . 610 mm	AVA8 - 490
599 . . . 623 mm	611 . . . 635 mm	AVA8 - 515
624 . . . 643 mm	636 . . . 660 mm	AVA8 - 540

Product lines B200

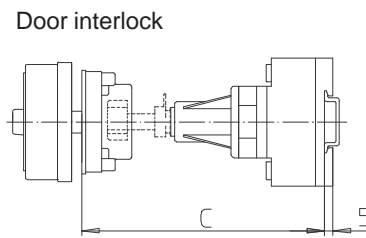
AVA8-... is suitable to extend the shaft:

- Door clutch
- 280M1/ 280M4
 - 280N1/ 280N4
 - 280V1/ 280V4
 - 282M1
 - 284M1
 - 284V1/ 290V1
 - 286M1/ 286M4
 - 288V1/ 288V4

- Door interlock
- 281M1/ 281M4
 - 281N1/ 281N4
 - 281V1/ 281V4
 - 283M1
 - 285M1
 - 285V1/ 291V1
 - 287M1/ 287M4
 - 289V1/ 28V4



Door clutch



Door interlock

Product lines
B200-A/ -D/ -E

Metal shaft extension

For mounting forms with
Base mounting
switches
Door clutch or
Door interlock

Four hole mounting
 Front

AVB8 - . . .

Metal shaft extension for mounting forms with door clutch or door interlock and four hole mounting

Dimension C (internal depth, inside of door to top of DIN rail)

B200-A	B200-D/ -E	Order code number
140 . . . 164 mm	152 . . . 176 mm	AVB8 - 065
165 . . . 189 mm	177 . . . 201 mm	AVB8 - 090
190 . . . 214 mm	202 . . . 226 mm	AVB8 - 115
215 . . . 239 mm	227 . . . 251 mm	AVB8 - 140
240 . . . 264 mm	252 . . . 276 mm	AVB8 - 165
265 . . . 289 mm	277 . . . 301 mm	AVB8 - 190
290 . . . 314 mm	302 . . . 326 mm	AVB8 - 215
315 . . . 339 mm	327 . . . 351 mm	AVB8 - 240
340 . . . 364 mm	352 . . . 376 mm	AVB8 - 265
365 . . . 389 mm	377 . . . 401 mm	AVB8 - 290
390 . . . 414 mm	402 . . . 426 mm	AVB8 - 315
415 . . . 439 mm	427 . . . 451 mm	AVB8 - 340
440 . . . 464 mm	452 . . . 476 mm	AVB8 - 365
465 . . . 489 mm	477 . . . 501 mm	AVB8 - 390
490 . . . 514 mm	502 . . . 526 mm	AVB8 - 415
515 . . . 539 mm	527 . . . 551 mm	AVB8 - 440
540 . . . 564 mm	552 . . . 576 mm	AVB8 - 465
565 . . . 589 mm	577 . . . 601 mm	AVB8 - 490
590 . . . 614 mm	602 . . . 626 mm	AVB8 - 515
615 . . . 639 mm	627 . . . 651 mm	AVB8 - 540

Product lines B200

AVB8-... is suitable to extend the shaft:

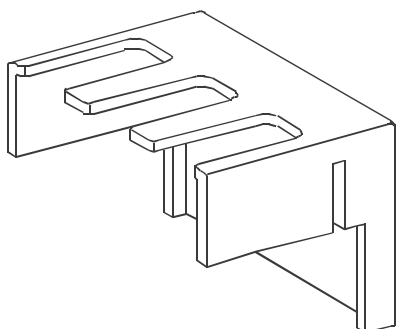
Door clutch

- 431M1/ 431M4
- 441M1
- 442N1
- 446V1/ 447V1
- 432M1/ 432M4
- 432N1/ 432N4
- 432V1/ 432V4
- 437M1/ 437M4
- 437N1/ 437N4
- 437V1/ 437V4

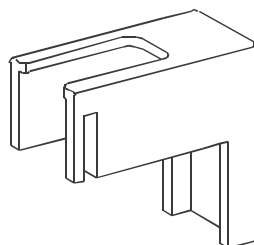
Door interlock

- 435M1/ 435M4
- 481M1
- 482N1
- 449V1/ 482V1
- 483M1/ 483M4
- 483N1/ 483N4
- 483V1/ 483V4
- 484M1/ 484M4
- 484N1/ 484N4
- 484V1/ 484V4

Accessories



TCC2



TCD2

Product lines
B200-A/ -D/ -E

Terminal covers

for ON-OFF Switches

Front or base mounting

TCC2 / TCD2

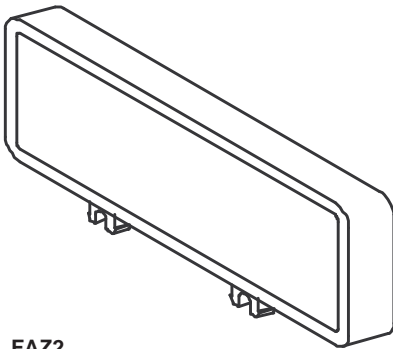
Terminal covers
for terminal capacities with max. 16 mm²

Order code number

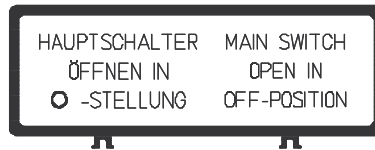
Product line B200-A/ -D
Main/Emergency-Off Switches

Switching programmes from . . . up to . . .		TCC2 number	TCD2 number	Total number	Terminal cover	
					3 pole	1 pole
41300	41340	1	0	1	TCC2	-
41400	41420	1	1	2	TCC2	TCD2
41600	41640	2	0	2	TCC2	-
41800	-	2	2	4	TCC2	TCD2
45300	47300	1	0	1	TCC2	-
47400	-	1	1	2	TCC2	TCD2

Accessories



FAZ2
Escutcheon frame plate black
(without legend plate)



FAZ2 - 8041

Product lines
B200-A/ -D/ -E

Additional top
escutcheon plates

to put on escutcheons
and padlock devices
(also in connection with
enclosures)

FAZ2 -

Additional top escutcheon plates

with additional inscription to be clipped on the escutcheon an padlock devices

- Escutcheon frame plate black, legend plate silver, without inscription (can be engraved)
- Escutcheon frame plate black, legend plate silver, inscription FA 8...*
- Escutcheon frame plate black, legend plate silver, special engraving
- Escutcheon frame plate black, legend plate yellow, without inscription (can be engraved)
- Escutcheon frame plate black, legend plate yellow, inscription FA 8...*
- Escutcheon frame plate black, legend plate yellow, special engraving
- Escutcheon frame plate black (without legend plate)

- FAZ2 - 8000**
- FAZ2 - 8 . . .**
- FAZ2 -** (special no.)
- FBZ2 - 8000**
- FBZ2 - 8 . . .**
- FBZ2 -** (special no.)
- FAZ2**

Legend plates

- Legend plate silver without inscription (can be engraved)
- Legend plate silver, inscription FA 8...*
- Legend plate silver, special engraving
- Legend plate yellow without inscription (can be engraved)
- Legend plate yellow, inscription FA 8...*
- Legend plate yellow, special engraving

- FAS2 - 8000**
- FAS2 - 8 . . .**
- FAS2 -** (special no.)
- FBS2 - 8000**
- FBS2 - 8 . . .**
- FBS2 -** (special no.)

* inscription FA 8... see next page

HAUPTSCHALTER MAIN SWITCH
 ÖFFNEN IN OPEN IN
 O-STELLUNG OFF-POSITION

Example: Legend plate silver **FAS2 - 8041**
 for top escutcheon plate FAZ2-8041

Product lines
B200-A/ -D/ -E

Legend plates
 for additional top
 escutcheon plates

FAS2 - 8 . . .
FBS2 - 8 . . .

Legend plates for additional top escutcheon plates

legend plate silver without inscription (can be engraved)
 legend plate silver, inscription FA 8...
 legend plate silver, special engraving

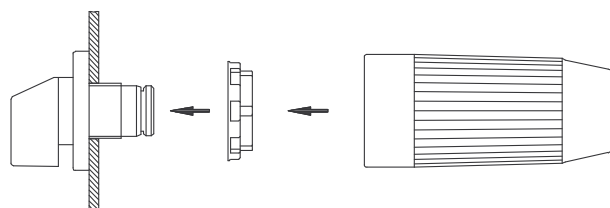
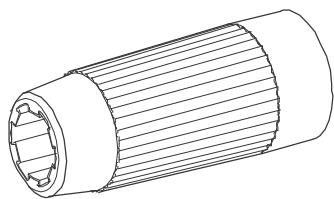
legend plate yellow without inscription (can be engraved)
 legend plate yellow, inscription FA 8...
 legend plate yellow, special engraving

FAS2 - 8000
FAS2 - 8 . . .
FAS2 - (special no.)

FBS2 - 8000
FBS2 - 8 . . .
FBS2 - (special no.)

Legend plates, inscription FA 8...

FA 8000	FA 8001	FA 8002	FA 8003	FA 8004	FA 8005
FA 8006	FA 8007	FA 8008	FA 8009	FA 8010	FA 8011
FA 8012	FA 8013	FA 8014	FA 8015	FA 8016	FA 8017
FA 8018	FA 8019	FA 8021	FA 8023	FA 8024	FA 8025
FA 8026	FA 8027	FA 8028	FA 8029	FA 8030	FA 8031
FA 8032	FA 8033	FA 8034	FA 8035	FA 8036	FA 8037
FA 8038	FA 8039	FA 8040	FA 8041	FA 8042	FA 8044
FA 8045	FA 8046				



Product lines
B200-A/ -D/ -E

Assembly tool

For switches with
single hole mounting
ø 22,5 mm and ø 30,5 mm

218098

Assembly tool

Suitable for a **fast assembly of the single hole mounting** together with escutcheon/padlock device resp. door clutch/door interlock on mounting forms:

204M1, 204V4
205M1, 205M4
206M1, 206M4

206N1, 206N4
206V1, 206V4
208M1
209M1

213V1
214M1, 214V1
215V1, 215V4
215M1, 215M4

216M1, 216M4
216N1, 216N4
216V1, 216V4
218M1

219M1
226V1, 226V4

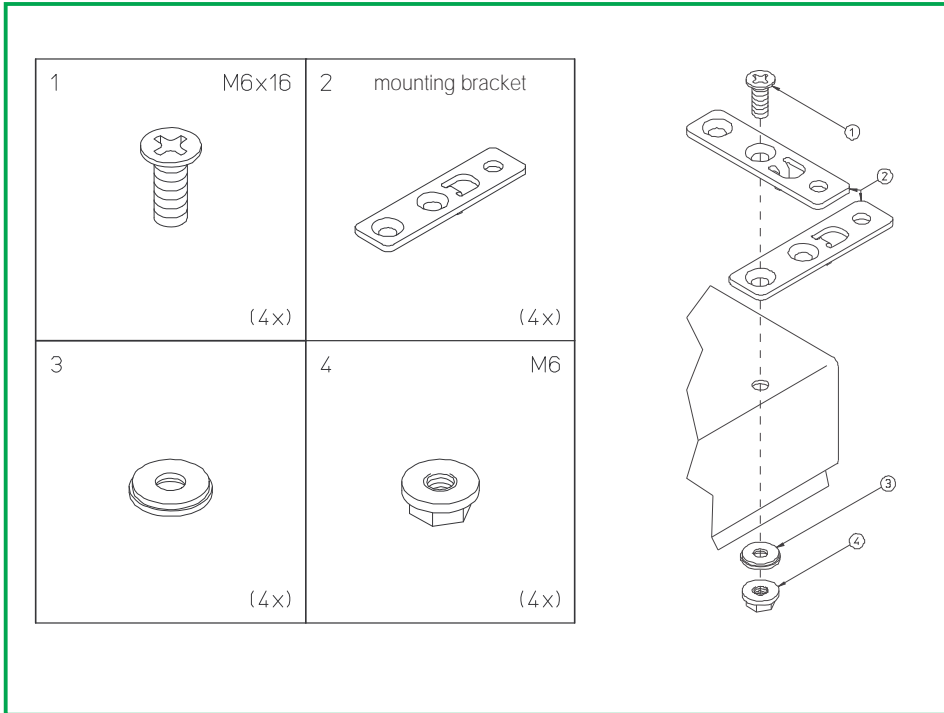
280M1, 280M4
280N1, 280N4
280V1, 280V4
281M1, 281M4

281N1, 281N4
281V1, 281V4
282M1
283M1

285M1, 285V1
284M1, 284V1
286M1, 286M4
287M1, 287M4

288V1, 288V4
289V1, 289V4
290V1
291V1

Accessories



**Product lines
B200-A/ -E/ -D**

Mounting plate

**1 set per
mild steel enclosure**

Size of enclosure
200 x 150 x 120 mm
300 x 250 x 150 mm

SAX1

Mounting plate – 1 Set –

Suitable for **mounting the mild steel enclosure on walls etc.** for mounting forms:

200x150x120mm

086M1,
087M1, 087M4
087N1, 087N4
087V1, 087V4

**without N module
in the enclosure**

586M1,
587M1, 587M4
587N1, 587N4
587V1, 587V4,

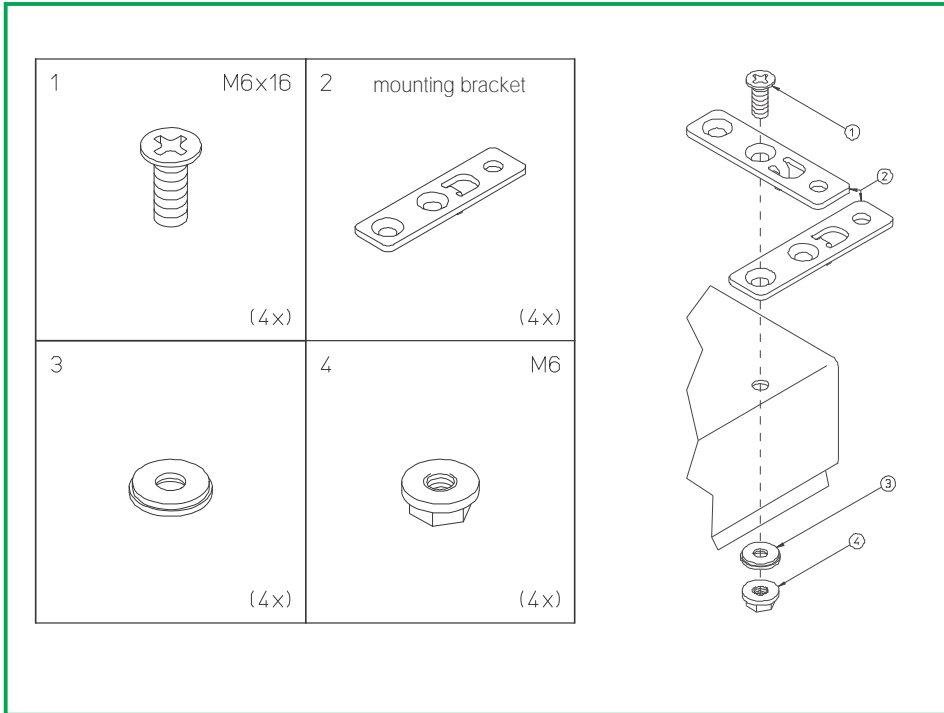
300x250x150mm

186M1, 186V1
187M1, 187M4
197N1, 187N4
187V1, 187V4
188M1, 188V1

**without N module
in the enclosure**

686M1, 686V1
687M1, 687M4
687N1, 687N4
687V1, 687V4
688M1, 688V1

Accessories



**Product lines
B200-A/ -E/-D**

Mounting plate

**1 set per
stainless steel
enclosure**

Size of enclosure
200 x 150 x 120 mm
300 x 250 x 150 mm

SBX1

Mounting plate – 1 Set –

Suitable for **mounting the stainless steel enclosure on walls etc.** for mounting forms:

200x150x120mm

096M1,
097M1, 097M4
097N1, 097N4
097V1, 097V4

**without N module
in the enclosure**

596M1,
597M1, 597M4
597N1, 597N4
597V1, 597V4,

300x250x150mm

196M1, 196V1
197M1, 197M4
197N1, 197N4
197V1, 197V4
198M1, 198V1

**without N module
in the enclosure**

696M1, 696V1
697M1, 697M4
697N1, 697N4
697V1, 697V4
698M1, 698V1



Faster deliveries through SMD

In order to ensure even greater flexibility for worldwide supply availability within 24h, Sälzer Electric has introduced the SMD (Sälzer Modular Design) system.

SMD modules are individually prefabricated and tested all-in-one modules which SMD Service holds in stock in sufficient quantities. From basic switch modules, mounting form modules and operator modules, SMD Service can assemble a complete switch requested by the customer and pack it ready for delivery in just a few actions.

– **back** –